



Designer Series Refrigeration

Use and Care Guide

Guía de uso y mantenimiento

Guide d'utilisation et d'entretien

Guida all'uso e alla manutenzione

Bedienungs- und Pflegeanleitung

Gids voor gebruik en onderhoud

使用和维护指南



Contents

- 2 Designer Series Refrigeration
- 3 Safety Precautions
- 6 Designer Series Features
- 7 Touch Controls
- 7 Storage
- 9 Product Operation
- 12 Food Preservation
- 13 Care Recommendations
- 13 Troubleshooting
- 15 Sub-Zero Warranties

Customer Care

The model and serial number are listed on the product rating plate. Refer to page 6 for rating plate location. For warranty purposes, you will also need the date of installation and name of your authorized Sub-Zero dealer. Record this information below for future reference.

SERVICE INFORMATION

Model Number _____

Serial Number _____

Date of Installation _____

Certified Service Name _____

Certified Service Number _____

Authorized Dealer _____

Dealer Number _____

If your product ever needs attention, be sure to use a Sub-Zero Factory Certified Service provider.

Important Note

To ensure this product is installed and operated as safely and efficiently as possible, take note of the following types of highlighted information throughout this guide:

IMPORTANT NOTE highlights information that is especially important.

▲ CAUTION

Indicates a situation where minor injury or product damage may occur if instructions are not followed.

▲ WARNING

States a hazard that may cause serious injury or death if precautions are not followed.

IMPORTANT SAFEGUARDS

⚠ WARNING

This appliance is only intended for residential use.

⚠ WARNING

Keep ventilation openings, in the appliance enclosure or in the built-in structure, clear of obstruction.

⚠ WARNING

Do not store explosive substances such as aerosol cans with a flammable propellant in this appliance.

⚠ WARNING

This appliance contains flammable refrigerant and must be handled, installed, serviced, and decommissioned by authorized personnel. Once decommissioned, consult local authorities for disposal instructions.

⚠ WARNING

Do not damage the refrigerant circuit.

⚠ WARNING

Do not use electrical appliances inside the food storage compartments of the appliance, unless they are of the type recommended by the manufacturer.

⚠ WARNING

This appliance can be used by children aged from 8 years and above and persons with reduced physical, sensory or mental capabilities or lack experience and knowledge if they have been given supervision or instruction concerning use of the appliance in a safe way and understand the hazards involved. Children shall not play with the appliance. Cleaning and user maintenance shall not be made by children without supervision. Children aged from 3 to 8 years are allowed to load and unload refrigerating appliances.

IMPORTANT SAFEGUARDS

⚠ WARNING



This symbol indicates risk of fire/flammable materials.

⚠ WARNING

To minimize the risk of ignition due to improper installation, replacement parts, or service procedures, only refrigeration technicians with flammable refrigerant training who are aware of the dangers of dealing with high voltage electricity and refrigerant under pressure are allowed to work on this equipment.

⚠ CAUTION

Appliances without a four-star compartment are not suitable for freezing foodstuffs.

⚠ CAUTION

To avoid food contamination, respect the following:

- Regularly clean surfaces that come into contact with food and accessible drainage systems.
- Clean ice and water dispensers that have not been used in 48 hours. Dispense and discard ice and water if the ice and water have not been used in more than five days.
- Do not allow raw meat and fish to touch other food in the refrigerator. Store in suitable containers.
- One-, two-, and three-star compartments are not suitable for freezing fresh food.
- Two-star frozen-food compartments are suitable for storing pre-frozen food, storing or making ice cream and making ice cubes.
- If the refrigerating appliance is left empty for long periods, switch off, defrost, clean, dry, and leave the door open to prevent mold developing within the appliance.

IMPORTANT SAFEGUARDS

⚠ WARNING

Do not use mechanical devices or other means to accelerate the defrosting process, other than those recommended by the manufacturer.

⚠ CAUTION

Incorporated ice makers must be installed by the manufacturer or its service agent.

⚠ WARNING

Do not expose this appliance to rain.

IMPORTANT NOTE: Allowing doors or drawers to remain open for an extended period increases the temperature inside the appliance.

⚠ WARNING

DANGER: Risk of child entrapment. Before you throw away your old refrigerator or freezer, take off the doors and leave shelves and drawer dividers in place so that children may not easily climb inside.

This appliance is intended to be used in household and similar applications such as:

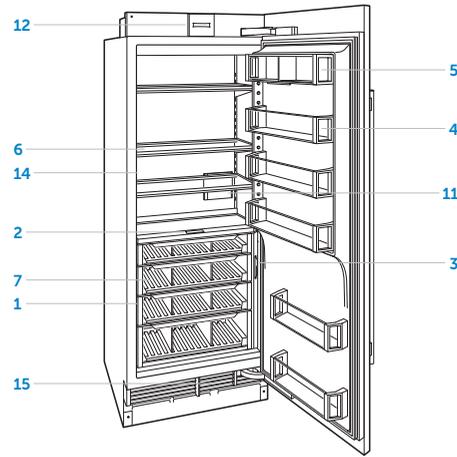
- staff kitchen areas in shops, offices and other working environments
- farm houses and by clients in hotels, motels and other residential type environments
- bed and breakfast type environments
- catering and similar non-retail applications

Designer Series Features

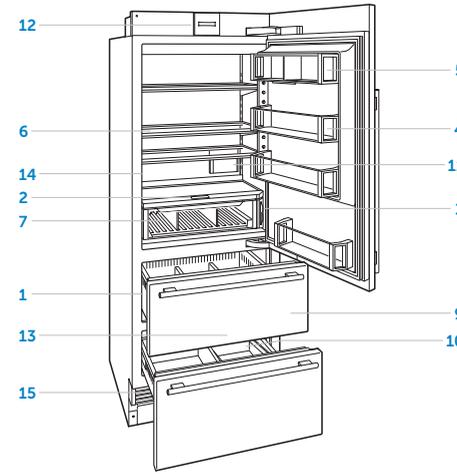
Designer Series Features

FEATURES

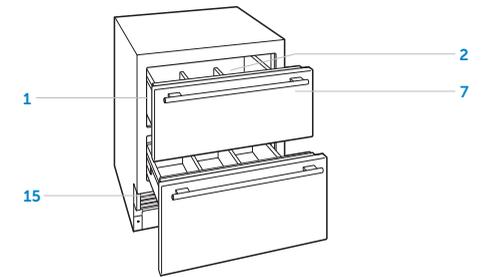
- 1 Product Rating Plate
- 2 Touch Control Panel
- 3 Freshness Cards
- 4 Adjustable Door Shelves
- 5 Flip-Up Dairy Compartment
- 6 Refrigerator Shelves
- 7 Refrigerator Storage Drawers
- 8 Freezer Shelves
- 9 Freezer Storage Drawers
- 10 Removable Ice Bin
- 11 Air Purification System
- 12 Water Filtration System
- 13 Automatic Ice Maker (ice maker models)
- 14 Internal Water Dispenser (dispenser models)
- 15 Condenser (behind grille)



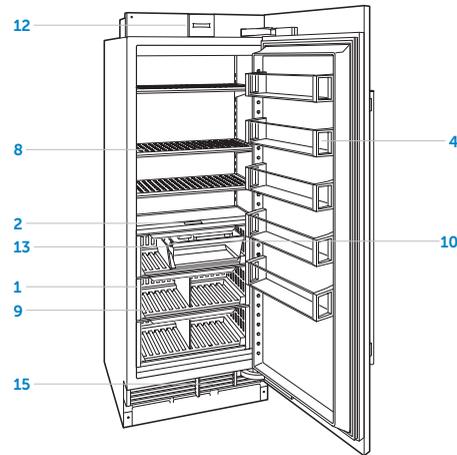
Column all refrigerator



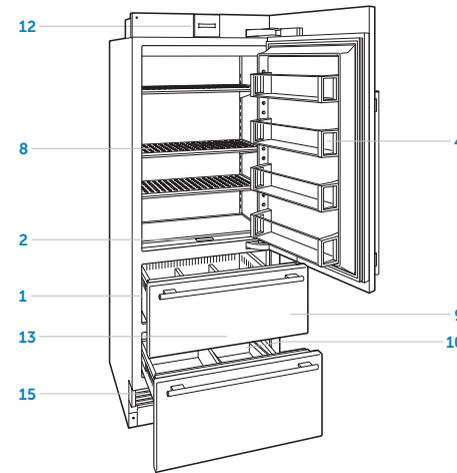
Tall combination



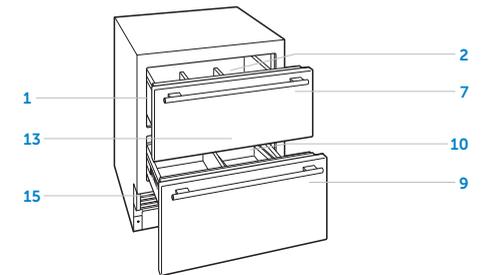
Drawer all refrigerator



Column all freezer



Tall all freezer



Drawer combination

Touch Controls

Touch Control Panel

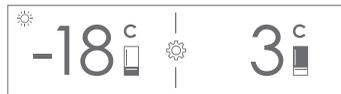
For initial start-up, touch and hold **1** on the control panel for 2 seconds.

The recommended temperatures are preset at -18°C for a freezer and 3°C for a refrigerator. The temperatures are adjustable in one-degree increments. The combination model has two temperature zones.

To adjust temperature:

- 1 Touch the temperature to be adjusted.
- 2 Touch + or – until the desired temperature is displayed. Refer to the illustration below.

To adjust additional settings, touch  on the control panel. Refer to the illustration below.



Dual-zone home screen



Single-zone home screen

SETTINGS

	Adjust refrigerator drawer temperature and humidity
	Turn ice maker and max ice on or off
	Turn air purifier on or off
	Adjust soft on lighting and accent lighting (if applicable)
	Turn night mode on or off
	Turn the dispenser on or off
	Turn door alarm on or off and adjust duration
	Adjust door alarm volume and tone
	Turn water filter reminder on or off
	Turn the unit on or off
	Turn Sabbath on or off
	Adjust temperature units
	Select language
	System information
	View troubleshooting and service information

Storage

Dual Refrigeration®

This Sub-Zero features a unique Dual Refrigeration® system to keep food fresher longer.

With the Sub-Zero Dual Refrigeration® system, individual refrigerator and freezer systems have been designed to maintain accurate, consistent temperatures and proper humidity levels for longer food life expectancy. Dual Refrigeration® eliminates transfer of fresh food odors to frozen food and ice and does not freeze the moisture out of the air in the fresh food section.

Refrigerator Storage

ADJUSTABLE DOOR SHELVES

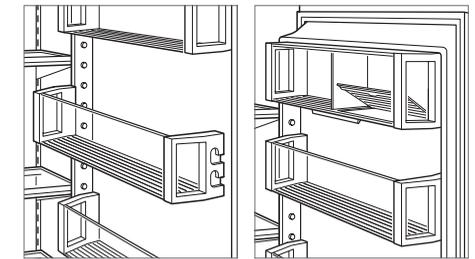
To reposition a door shelf or dairy compartment:

- 1 To remove, lift the shelf from the bottom and slide out. Refer to the illustration below.
- 2 To install, place in the desired position and slide the shelf down onto the guides.

IMPORTANT NOTE: If the door opening is limited to 90°, door shelves may need to be removed before removing a storage drawer or glass shelf.

FLIP-UP DAIRY COMPARTMENT

The bottom of the dairy compartment rotates upward to accommodate taller items below. For models without vertical dividers in the compartment, the entire bottom rotates upward. For models with a vertical divider, one section rotates upward. Refer to the illustration below.



Door shelf removal

Flip up dairy compartment

Refrigerator Storage

GLASS SHELVES

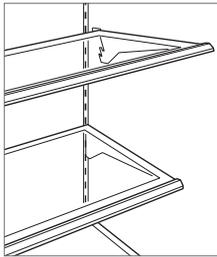
To reposition a glass shelf:

- 1 To remove, tilt the shelf up, then lift up and out. Refer to the illustration below.
- 2 To install, insert the shelf in the tracks along the back wall, then lower the front until it locks into position.

IMPORTANT NOTE: Use care when handling glass shelves to prevent breakage or scratching the interior.

CAUTION

Glass shelves should warm to room temperature before immersing in warm water.



Glass shelf removal

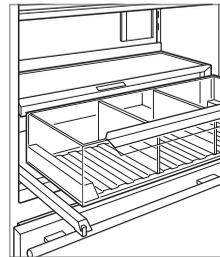
REFRIGERATOR STORAGE DRAWERS

To remove and install a refrigerator drawer:

- 1 To remove, pull the drawer open until it stops.
- 2 Lift the front of the drawer slightly and pull straight out. Refer to the illustration below.
- 3 To install, pull the drawer carrier out and align the bottom of the drawer with the carrier.
- 4 Slide the drawer back into position.

To reposition a refrigerator drawer divider:

- 1 To remove, pull the divider straight up.
- 2 To install, align tabs on the divider with notches in the drawer and push down.



Refrigerator drawer removal

Storage Drawers

CRISPER COVER

The crisper cover in the upper storage drawer can be slid closed, left open, or removed.

To remove the crisper cover:

- 1 Pull the upper storage drawer all the way out.
- 2 Raise the front edge of the crisper cover and pull it forward and out of the drawer. Refer to the illustration below.

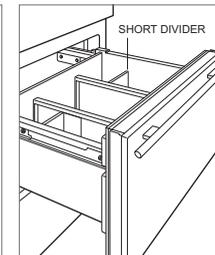
DRAWER DIVIDERS

To reposition a drawer divider:

- 1 To move a short divider, slide the divider forward or backward. Refer to the illustration below.
- 2 For 30" and 36" wide drawers only, one long divider in the top drawer is adjustable. To remove a long divider, pull the long divider up until it stops, rotate counter-clockwise, then pull upward.
- 3 To install a long divider, align the grooves with the drawer tabs, rotate clockwise, then slide down.



Crisper cover



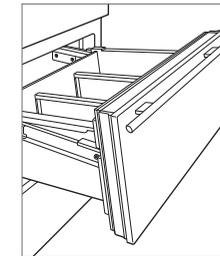
Drawer dividers

DRAWER REMOVAL

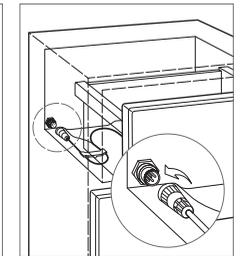
To remove/install a storage drawer:

- 1 To remove, pull the drawer open until it stops. Raise the front of the drawer slightly and pull straight out. Refer to the illustration below.
- 2 To install, raise the front of drawer and place onto the slides. Align the back of the drawer with hooks on the slide, then align the white pegs at the front of the slide with holes at the front of the drawer.

IMPORTANT NOTE: For drawer models, the upper drawer has a control cable that must be disconnected before removing the drawer. Refer to the illustration below.



Drawer removal



Control cable (drawer model)

Freezer Storage

FREEZER STORAGE DRAWERS

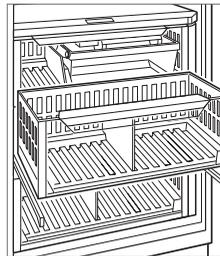
To remove a freezer drawer:

- 1 Pull the drawer open until it stops.
- 2 Locate the two plastic tabs at the front of the drawer behind the bottom corners.
- 3 Pull the tabs forward, then lift up and out. Refer to the illustrations below.

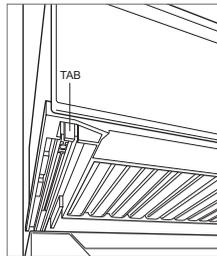
If the door opening is limited to 90°, the top drawer must be removed before removing the middle or lower drawer.

To install a freezer drawer:

- 1 Push the drawer slides in.
- 2 Align the drawer with the slides and push back until it stops.
- 3 Press down on the front of the drawer to engage the slides.



Column freezer drawer



Freezer drawer tab

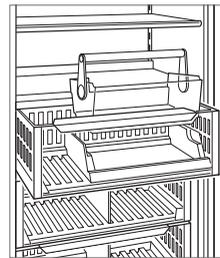
ICE BIN

To remove the ice bin (column model):

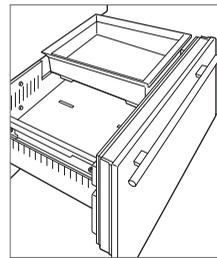
- 1 Pull the freezer drawer open until it stops.
- 2 Lift the ice bin out. Refer to the illustration below.

To remove the ice bin (tall and drawer models):

- 1 Pull the freezer drawer open until it stops.
- 2 Lift the ice bin out. Refer to the illustration below.



Column ice bin



Tall and drawer ice bin

Temperature

TEMPERATURE CONTROL

To optimize food preservation, the refrigerator drawer temperature is adjustable automatically or manually. All drawers are set to the same temperature and cannot be adjusted individually.

Auto Mode—automatically adjusts the refrigerator drawer temperature 2° below the refrigerator set temperature, but cannot go below 1°C.

Manual Mode—manually adjust the refrigerator drawer up to 2° above or below the refrigerator setpoint, but cannot go below 1°C or above 6°C.

To adjust temperature:

- 1 Touch .
- 2 Touch .
- 3 Touch "A" or "M" to toggle between modes.
- 4 Touch + or – to adjust the temperature manually.

Humidity

HUMIDITY CONTROL

Some foods, particularly vegetables, require enhanced levels of humidity to maximize freshness. The refrigerator drawer humidity level is adjustable. Select "Enhanced" to make sure produce lasts to its full potential. All drawers are set to the same level and cannot be adjusted individually.

To adjust humidity:

- 1 Touch .
- 2 Touch .
- 3 Touch  to toggle between settings.

Air Purification System

Many fresh foods emit ethylene gas, a naturally-occurring compound that hastens food ripening and spoilage. If your unit is equipped with an air purification system, the cartridge has been factory installed and is located on the back wall of the refrigerator.

To turn on air purification, touch  on the options screen.

⚠ WARNING

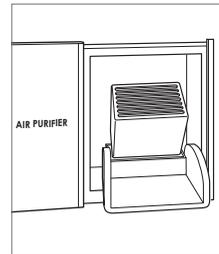
This appliance contains a UV emitter. Do not stare at the light source.

AIR PURIFICATION CARTRIDGE

The air purification cartridge lasts approximately one year. "Snooze/Refresh" appears on the control panel when the cartridge needs to be replaced. Touch "Snooze" to delay the reminder for 24 hours or until the cartridge can be replaced.

To replace the air purification cartridge:

- 1 To access the air purification cartridge, slide the door to the left.
- 2 Grasp the black cover from the top and rotate downward. The cartridge pops out and can be removed. Refer to the illustration below.
- 3 Remove the new cartridge from packaging and insert with the connector pointing downward.
- 4 Close the black cover, then slide the door to the right.
- 5 Follow the instructions on the control panel. The cartridge life cycle resets for approximately one year.



Air purification cartridge

Water Filtration System

The water filtration system supplies filtered water to the ice maker and water dispenser (dispenser models) to produce great-tasting water and ice.

IMPORTANT NOTE: When using the water filtration system for the first time and after filter replacement, it is necessary to clear any air from the system and allow the filter to assist in cleaning the water lines. For non-dispenser models, discard the first two full containers of ice. For dispenser models, dispense several glasses of water for a period of two minutes.

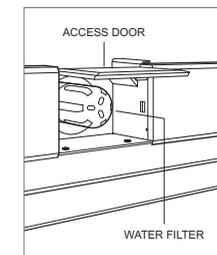
If the water filtration system will not be used, it can be placed in water filter bypass mode by removing the filter.

WATER FILTER

The water filter is rated for 300 gallons (1136 L) or one year, whichever comes first. "Snooze/Refresh" appears on the control panel when the filter needs to be replaced. Touch "Snooze" to delay the reminder for 24 hours or until the filter can be replaced.

To replace the water filter:

- 1 To access the water filter, pull out on the bottom edge of the access door and rotate upward. Refer to the illustration below.
- 2 To remove the old filter, rotate counterclockwise one-quarter turn, then pull out. It is normal for a small amount of water to drip when the filter is removed. It should be wiped up with a paper towel or cloth.
- 3 Remove the new filter from packaging and remove the plastic cap.
- 4 Insert the new filter into the manifold and turn clockwise.
- 5 Once the new filter has been installed, follow instructions on the control panel. The filter life cycle will reset for approximately one year.



Water filter

Ice Maker

To operate the ice maker:

- 1 To turn on the ice maker, touch  on the options screen. A single highlighted cube indicates the ice maker is turned on.  indicates the max ice feature is turned on.
- 2 To turn off the ice maker, touch  until no cubes are highlighted.

After initial start-up, discard the first few batches of ice. The ice may contain impurities from new plumbing connections.

Max ice increases ice production up to 30% for a 24-hour period. During that period, some components may run at a higher speed resulting in a unique audible tone. This is typical and will revert back after 24 hours or when the ice bin is full.

Ice may fuse together if not used regularly. To avoid, discard the ice and allow the ice maker to replenish.

Turn off the ice maker if the ice bin is removed for an extended period. The unit is equipped with a 3-minute delay after the ice bin is removed, to ensure cubes are not ejected before the ice maker is turned off or the ice bin is installed.

Night Mode

Night mode automatically reduces interior light brightness when low ambient light is detected.  appears in the upper-left corner of the control panel display when night mode is turned on.

 appears when low ambient light is detected. The interior light brightness remains reduced for three minutes, even if the ambient light changes. Touch  to increase brightness.

To turn night mode on or off:

- 1 Touch .
- 2 Touch .

Sabbath

This appliance is certified by Star-K to meet strict religious regulations in conjunction with specific instructions found on www.star-k.org.

Sabbath mode automatically turns on the interior lights at a reduced brightness. The lights stay on when the door is closed. The lights cannot be turned off in Sabbath mode.

Sabbath mode automatically turns off after 74 hours. All lighting preferences return to the previous setting when Sabbath mode is turned off.

To turn on Sabbath:

- 1 Touch .
- 2 Touch and hold  for 3 seconds.

To turn off Sabbath:

- 1 Touch and hold  for up to 10 seconds.

Water Dispenser

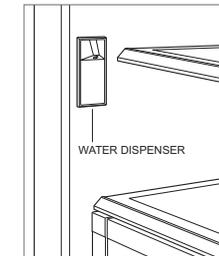
The 1 L internal water tank must fill before water flows from the dispenser. Press and hold the water dispenser paddle for up to 60 seconds until water is dispensed.

It may take several hours to chill the water to refrigerator temperature during the original fill and after a large amount of water is dispensed.

A safety feature is incorporated into the dispenser to limit continuous water flow to 60 seconds.

To dispense water:

- 1 Press a glass against the dispenser to activate the flow of water. Refer to the illustration below.
- 2 The flow of water stops when the glass is pulled away.



Water dispenser

Food Preservation

Food Preservation Tips—To reduce the risk of spoilage, minimize food handling. Store fruits and vegetables separately. Store meats in the original packaging; once opened, re-wrap tightly.

Ethylene Gas—Many fresh foods emit ethylene gas, a naturally-occurring compound that hastens food ripening and spoilage. Sub-Zero refrigerators come with an air purification system (based on technology developed by NASA) that scrubs the air of ethylene and odor every 20 minutes. To reduce spoilage, do not store ethylene-producing fruits and vegetables with those that are ethylene-sensitive.

e⁺ Indicates an ethylene-producing food.

e⁻ Indicates an ethylene-sensitive food.

Humidity—The optimal humidity varies for different foods. To keep food fresher longer, store foods in the areas designated in the following charts.

FOOD	ECODE	REFRIGERATOR	FREEZER
FRESH VEGETABLES			
Artichokes		1–2 weeks	Freezing fresh vegetables is not recommended
Asparagus		2–3 weeks	
Bean sprouts		7–9 days	
Beans (green or lima)	e ⁻	7–10 days	
Beets without tops		3–4 months	
Bok choy	e ⁻	3 weeks	
Broccoli	e ⁻	1–2 weeks	
Cabbage	e ⁻	3–6 weeks	
Carrots	e ⁻	1–5 months	
Cauliflower	e ⁻	3–4 weeks	
Celery		1–2 months	
Corn		5–8 days	
Cucumbers	e ⁻	10–14 days	
Eggplant*	e ⁻	1–2 weeks	
Fresh herbs	e ⁻	1–3 weeks	
Garlic*		6–7 months	
Ginger*		6 months	
Jicama*		1–2 months	
Kale	e ⁻	1–2 months	
Leeks		2 months	
Lettuce	e ⁻	2–3 weeks	
Mushrooms		1–2 weeks	
Onions		1–6 months	
Parsley	e ⁻	1–2 months	
Peas (sugar, snap, snow)	e ⁻	1–2 weeks	
Peppers (bell or chile)	e ⁻	2–3 weeks	
Potatoes*		5–10 months	
Radishes		1–2 months	
Shallots		6 months	
Spinach	e ⁻	10–14 days	
Squash (soft rind)	e ⁻	1–2 weeks	
Tamarillos		7–10 days	
Water chestnuts		2–4 months	

*Do not refrigerate.

FOOD	ECODE	REFRIGERATOR	FREEZER
FRESH FRUITS			
Apples	e ⁺	1–2 months	Freezing fresh fruits is not recommended
Apricots	e ⁺	1–2 weeks	
Avocados ¹	e ⁺	2–4 weeks	
Bananas*	e ⁻	1–4 weeks	
Blueberries		10–18 days	
Cantaloupe	e ⁺	2–3 weeks	
Cherries		2–3 weeks	
Figs	e ⁺	7–10 days	
Grapefruit		6–8 weeks	
Grapes		2–3 weeks	
Honeydew melon	e ⁻	3–4 weeks	
Kiwifruit	e ⁻	4–6 weeks	
Lemons		1–6 months	
Limes		6–8 weeks	
Mangos ¹	e ⁺	2–3 weeks	
Nectarines	e ⁺	2–4 weeks	
Oranges		3–8 weeks	
Peaches		2–4 weeks	
Pears ¹	e ⁺	2–3 weeks	
Pineapple		2–4 weeks	
Plums	e ⁺	2–5 weeks	
Raspberries		3–6 days	
Strawberries		7–10 days	
Tomatoes*	e ⁺	1–3 weeks	

FOOD	ECODE	REFRIGERATOR	FREEZER
EGGS AND DELI			
Eggs (fresh)		3 weeks	Freezing eggs and deli is not recommended
Egg substitute (opened)		3 days	
Egg, tuna, or ham salad		3–5 days	
Lunch meat, thinly sliced		1–2 days	

*Do not refrigerate. ¹Ripen on the counter before refrigeration.

FOOD	ECODE	REFRIGERATOR	FREEZER
SOUP			
Stew with meat		3–4 days	2–3 months
Vegetable soup		3–4 days	2–3 months
MEATS, FISH, AND POULTRY			
Bacon		7 days	1 month
Beef steaks, roast		3–5 days	6–12 month
Bluefish, perch		2 days	2–3 month
Corned beef		5–7 days	1 month
Ham (whole)		7 days	1–2 months
Hamburger		1–2 days	3–4 months
Meat dishes (cooked)		3–4 days	2–3 months
Pork and veal chops		3–5 days	4–6 months
Poultry (cooked)		3–4 days	4–6 months
Poultry (raw)		1–2 days	9 months
Salmon, mackerel		4 days	5–9 months
Sausage (raw)		1–2 days	1–2 months
Shrimp		1 day	6 months
Smoked breakfast links, patties		7 days	1–2 months
DAIRY			
Butter		3 months	1 year
Cottage cheese		1–2 weeks	4 weeks
Cream cheese		2 weeks	Not recomm.
Process cheese		3–4 weeks	6–8 months
Whole or skim milk		1–2 weeks	Not recomm.
Yogurt		1 month	Not recomm.

Care Recommendations

Cleaning

STAINLESS STEEL EXTERIOR

Use a nonabrasive stainless steel cleaner and apply with a soft lint-free cloth. To bring out the natural luster, lightly wipe the surface with a water-dampened microfiber cloth followed by a dry polishing chamois. Always follow the grain of stainless steel.

INTERIOR CLEANING

To clean interior surfaces and all removable parts, wash with a mild solution of soap, water, and baking soda. Rinse and dry thoroughly. Avoid getting water on the lights and control panel.

CAUTION

Do not use vinegar, rubbing alcohol, or other alcohol-based cleaners on any interior surface.

VACATIONS

For extended vacations, turn power off at the control panel. Empty the unit and block doors open slightly to let fresh air in and keep the interior dry. The water filter should be replaced before start-up.

CONDENSER CLEANING

CAUTION

Before cleaning the condenser, turn power off at the control panel. Wear gloves to avoid injury from sharp condenser fins.

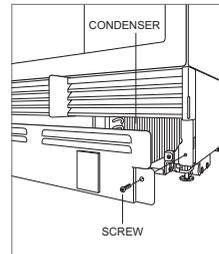
The condenser is located behind the kickplate. Clean the condenser every 6–12 months.

To clean the condenser:

- 1 Turn power off at the control panel.
- 2 Remove the kickplate by extracting the two mounting screws. Refer to the illustration below.
- 3 Use a soft bristle brush and vacuum to remove dust and lint from the condenser.

CAUTION

Failure to clean the condenser could result in temperature loss, mechanical failure, or damage.



Condenser location

Troubleshooting

Troubleshooting

UNIT OPERATION

No lights or cooling.

- 1 Verify power is on.
- 2 Verify electrical power to the unit and home circuit breaker is on.

No lights in the refrigerator or freezer.

- 1 The door/drawer may have been left ajar, which has disabled lights to eliminate excess heat. If the lights are out, close the door/drawer for one hour. If the lights are still out, contact Sub-Zero Factory Certified Service.
- 2 LED interior lighting must be replaced by Sub-Zero Factory Certified Service.

No refrigerator shelf light.

- 1 Verify the shelf is properly installed in the tracks along the back wall.
- 2 Verify nothing (a tall container or food) is preventing the shelf from engaging the tracks along the back wall.

Frost, condensation, or ice buildup inside the unit.

- 1 Verify the condenser is clean.
- 2 Verify the door/drawer is closing properly.
- 3 Verify the door/drawer has not been left ajar.
- 4 Verify the door/drawer gasket does not have rips or tears. If it does, contact Sub-Zero Factory Certified Service.
- 5 If icing is heavy, turn the unit off and use a hair dryer to melt the ice. The hair dryer should be set on low and kept moving at all times. Once the ice has melted, wipe up any water with a cloth or paper towel.

High temperatures, the unit runs excessively, or the unit is giving off too much heat.

- 1 Verify the condenser is clean.
- 2 Verify the door/drawer is closing properly.
- 3 Verify the door/drawer has not been left ajar.
- 4 Increased ambient temperatures may cause the compressors to run longer.
- 5 If the temperature display shows -18°C and 3°C , but is not cooling, the unit may be in Showroom Mode. Contact Sub-Zero Factory Certified Service.

No water from the dispenser.

- 1 Wait one hour, then try the dispenser again. Contact Sub-Zero Factory Certified Service if unresolved.

Troubleshooting

ICE PRODUCTION

No ice.

- 1 Verify the ice cube indicator appears on the control panel display.
- 2 Verify the ice maker has been on for at least 24 hours.
- 3 Verify the freezer temperature is near -18°C .
- 4 Verify the ice bin is properly installed.
- 5 Verify the ice maker arm is in the down position.
- 6 Verify water is being supplied to the unit.
- 7 Verify the water filter has been replaced within the last 12 months and installed properly.
- 8 Verify the water filter has been removed if a reverse osmosis filtration system is being used.

Blue or green ice.

- 1 Possible copper supply line corrosion. Contact a plumber to clean or replace.

Black flecks in the cubes.

- 1 Stop use and contact Sub-Zero Factory Certified Service.

Bad taste.

- 1 Defrost the freezer and clean with soap and water.
- 2 Place coffee grounds or charcoal briquettes in the freezer to absorb odor.

Hollow cubes.

- 1 Clean the condenser. Contact Sub-Zero Factory Certified Service if unresolved.

ODOR

- 1 Clean the unit before using for the first time. This will clear any odors that may have been trapped during shipping.
- 2 Replace the air purification cartridge.
- 3 Clean the unit and shelving thoroughly.
- 4 Cover uncovered food.

SERVICE

- Maintain the quality built into your product by contacting Sub-Zero Factory Certified Service.
- When contacting service, you will need the model and serial number of your unit. Both numbers are listed on the product rating plate. Refer to page 6 for rating plate location.
- For warranty purposes, you will also need the date of installation and name of your authorized Sub-Zero dealer. This information should be recorded on page 2 of this guide.

SERVICE (FOR AUSTRALIA ONLY)

- Yearly maintenance is recommended.
- Maintain the quality built into your product by contacting Sub-Zero Factory Certified Service.
- When contacting service, you will need the model and serial number of your product. Both numbers are listed on the product rating plate. Refer to page 6 for rating plate location.
- For warranty purposes, you will also need the date of installation and name of your authorized Sub-Zero dealer. This information should be recorded on page 2.
- For Australia only, contact:
Sub-Zero Group Australia Pty Ltd
Level 10, 469 La Trobe Street
Melbourne Victoria 3000
Phone 03 9600 2218
subzero-wolf.com.au

SERVICE (FOR UNITED KINGDOM ONLY)

- Sub-Zero & Wolf Ltd
9 The Street, Heybridge, Maldon, Essex, CM9 4XB
020 8418 3800
service@subzero-wolf.co.uk
www.subzero-wolf.co.uk

Warranty

Sub-Zero International Limited Warranty

FOR RESIDENTIAL USE

FULL TWO YEAR WARRANTY*

For two years from the date of original installation, this Sub-Zero product warranty covers all parts and labor to repair or replace, under normal residential use, any part of the product that proves to be defective in materials or workmanship. All service provided by Sub-Zero under the above warranty must be performed by Sub-Zero Factory Certified Service, unless otherwise specified by Sub-Zero, Inc. Service will be provided during normal business hours.

FULL FIVE YEAR SEALED SYSTEM WARRANTY

For five years from the date of original installation, this Sub-Zero product warranty covers all parts and labor to repair or replace, under normal residential use, these parts that prove to be defective in materials or workmanship: compressor, condenser, evaporator, drier and all connecting tubing. All service provided by Sub-Zero under the above warranty must be performed by Sub-Zero Factory Certified Service, unless otherwise specified by Sub-Zero, Inc. Service will be provided during normal business hours.

For more information regarding your Sub-Zero product warranty, contact your authorized Sub-Zero dealer. Warranties must comply to all country, state, city, local and or ordinance.

*Stainless steel (doors, panels, handles, product frames and interior surfaces) are covered by a limited 60-day parts and labor warranty for cosmetic defects.

**Replacement water filters and air purification cartridges are not covered by the product warranty.

Outdoor Warranty

Sub-Zero International Outdoor Limited Warranty*

FOR RESIDENTIAL USE

FULL ONE YEAR WARRANTY**

For one year from the date of original installation, this Sub-Zero product warranty covers all parts and labor to repair or replace, under normal residential use, any part of the product that proves to be defective in materials or workmanship. All service provided by Sub-Zero under the above warranty must be performed by Sub-Zero Factory Certified Service, unless otherwise specified by Sub-Zero, Inc. Service will be provided during normal business hours.

FULL FIVE YEAR SEALED SYSTEM WARRANTY

For five years from the date of original installation, this Sub-Zero product warranty covers all parts and labor to repair or replace, under normal residential use, these parts that prove to be defective in materials or workmanship: compressor, condenser, evaporator, drier and all connecting tubing. All service provided by Sub-Zero under the above warranty must be performed by Sub-Zero Factory Certified Service, unless otherwise specified by Sub-Zero, Inc. Service will be provided during normal business hours.

For more information regarding your Sub-Zero product warranty, contact your authorized Sub-Zero dealer. Warranties must comply to all country, state, city, local and or ordinance.

*Product must be approved for outdoor use, designated by model and serial number.

**Stainless steel (doors, panels, handles, product frames and interior surfaces) are covered by a limited 60-day parts and labor warranty for cosmetic defects.

**Replacement water filters and air purification cartridges are not covered by the product warranty.



Índice

- 2 Frigorífico Serie Designer
- 3 Precauciones de seguridad
- 6 Características de los aparatos Serie Designer
- 7 Mandos digitales
- 7 Almacenamiento
- 9 Funcionamiento del producto
- 12 Conservación de los alimentos
- 13 Recomendaciones de mantenimiento
- 13 Localización y solución de problemas
- 15 Garantías Sub-Zero

Atención al cliente

La información relativa al número de serie y el modelo se muestra en la placa de datos del producto. Consulte la página 6 para ver la ubicación de la placa de datos. Para cuestiones relacionadas con la garantía, también necesita saber la fecha de instalación y el nombre de su distribuidor autorizado de Sub-Zero. Guarde la siguiente información para tenerla como referencia en el futuro.

INFORMACIÓN SOBRE EL MANTENIMIENTO

Referencia del modelo
Número de serie
Fecha de instalación
Nombre del servicio certificado
Número del servicio certificado
Distribuidor autorizado
Número del distribuidor

Si alguna vez su producto necesita asistencia, asegúrese de acudir a un servicio técnico autorizado de Sub-Zero.

Nota importante:

Para garantizar que este producto se instala y funciona de la forma más eficaz y segura posible, tenga en cuenta la información que se destaca en esta guía:

Cuando aparece **NOTA IMPORTANTE**, se resalta información que resulta especialmente importante.

▲ PRECAUCIÓN

Indica una situación en la que se pueden sufrir heridas leves o provocar daños al producto si no se siguen las instrucciones especificadas.

▲ AVISO

Indica peligro de que se produzcan heridas personales graves o incluso puede provocar la muerte si no se siguen las precauciones especificadas.

INSTRUCCIONES DE SEGURIDAD IMPORTANTES

⚠ AVISO

Este aparato está diseñado para uso doméstico.

⚠ AVISO

Elimine las posibles obstrucciones de las aberturas de ventilación, tanto si se trata de un aparato con recinto como de una estructura empotrada.

⚠ AVISO

No guarde en este aparato sustancias explosivas como aerosoles junto con un propulsor inflamable.

⚠ AVISO

Este aparato contiene refrigerante inflamable y debe ser manipulado, instalado, revisado y retirado del servicio por personal autorizado. Una vez que haya sido retirado del servicio, póngase en contacto con las autoridades locales para obtener instrucciones sobre la forma de eliminarlo.

⚠ AVISO

No dañe el circuito refrigerante.

⚠ AVISO

No utilice aparatos eléctricos en el interior de los compartimentos de almacenamiento de alimentos de la unidad, a menos que sean del tipo recomendado por el fabricante.

⚠ AVISO

Este aparato puede ser utilizado por niños de más de ocho años y personas con discapacidades físicas, sensoriales o mentales, o con falta de experiencia o conocimientos, siempre y cuando cuenten con supervisión o se les haya enseñado cómo utilizarlo de forma segura y comprendan los peligros que supone. Los niños no deben jugar con el aparato. Los niños no pueden realizar las tareas de limpieza y mantenimiento sin supervisión. Se permite que los niños de entre 3 y 8 años introduzcan y saquen alimentos de electrodomésticos de refrigeración.

INSTRUCCIONES DE SEGURIDAD IMPORTANTES

⚠ AVISO



Este símbolo indica riesgo de incendio/ materiales inflamables.

⚠ AVISO

Para minimizar el riesgo de ignición debido a una instalación incorrecta, piezas de repuesto o a tareas de mantenimiento, solamente pueden trabajar con este equipo los técnicos en refrigeración con formación específica en refrigerantes inflamables y que conozcan los peligros que implica trabajar con electricidad de alto voltaje y refrigerantes bajo presión.

⚠ PRECAUCIÓN

Los frigoríficos que no tienen un compartimento de cuatro estrellas no son adecuados para congelar alimentos.

⚠ PRECAUCIÓN

Para evitar la contaminación de los alimentos, respete lo siguiente:

- Limpie periódicamente las superficies que están en contacto con los alimentos y los sistemas de drenaje a los que pueda acceder.
- Limpie los dispensadores de hielo y agua que no se hayan usado en 48 horas. Dispense y tire el hielo y el agua que no se hayan usado en más de cinco días.
- No permita que la carne y el pescado crudos toquen otro tipo de comida en el frigorífico. Almacene los alimentos en recipientes adecuados.
- Los compartimentos de una, dos y tres estrellas no son adecuados para congelar alimentos frescos.
- Los compartimentos para alimentos congelados de dos estrellas son adecuados para almacenar alimentos precongelados, almacenar o fabricar helados y cubitos.
- Si el frigorífico se deja vacío durante períodos largos, apáguelo, descongélelo, límpielo, séquelo y deje la puerta abierta para evitar que se forme moho en su interior.

INSTRUCCIONES DE SEGURIDAD IMPORTANTES

⚠ AVISO

No utilice dispositivos mecánicos ni otros medios para acelerar el proceso de descongelación distintos a los recomendados por el fabricante.

⚠ PRECAUCIÓN

El fabricante de hielo incorporado debe ser instalado por el fabricante o su técnico de mantenimiento.

⚠ AVISO

Proteja este aparato de la lluvia.

NOTA IMPORTANTE: Si se dejan abiertas las puertas o los cajones durante mucho tiempo, aumenta la temperatura del interior del electrodoméstico.

⚠ AVISO

PELIGRO: Riesgo de atrapamiento para los niños. Antes de desechar su viejo frigorífico o congelador, quite las puertas y deje los divisores de los cajones y estantes en su lugar de manera que a los niños no les resulte fácil subirse.

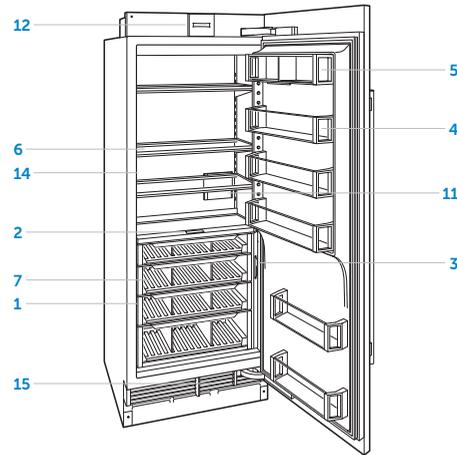
Este aparato está diseñado para usarse en aplicaciones domésticas y similares como:

- zonas de cocina de personal en tiendas, oficinas y otros entornos laborales;
- granjas y clientes de hoteles, moteles y otros entornos residenciales;
- hostales y entornos similares;
- restauración y aplicaciones no dirigidas a minoristas similares.

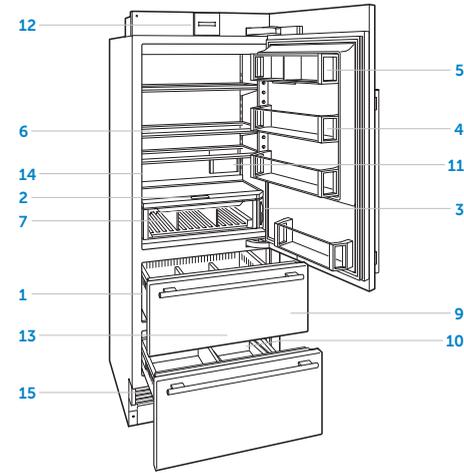
Características de los aparatos Serie Designer

CARACTERÍSTICAS

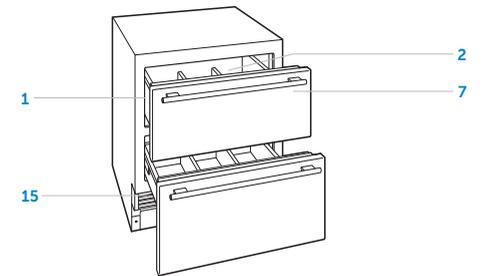
1	Placa de datos del producto
2	Panel de mandos digitales
3	Tarjetas para la frescura de los alimentos
4	Estantes en la puerta ajustables
5	Compartimento para productos lácteos con apertura hacia arriba
6	Estantes del frigorífico
7	Cajones de almacenamiento del frigorífico
8	Estantes del congelador
9	Cajones de almacenamiento del congelador
10	Cubitera extraíble
11	Sistema de purificación del aire
12	Sistema de filtrado del agua
13	Fabricador de cubitos de hielo (modelos equipados con fabricante de cubitos de hielo)
14	Dispensador de agua interno (modelos con dispensador)
15	Condensador (detrás de la rejilla)



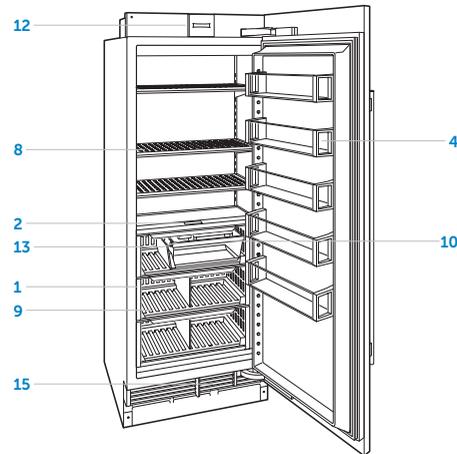
Frigorífico de columna



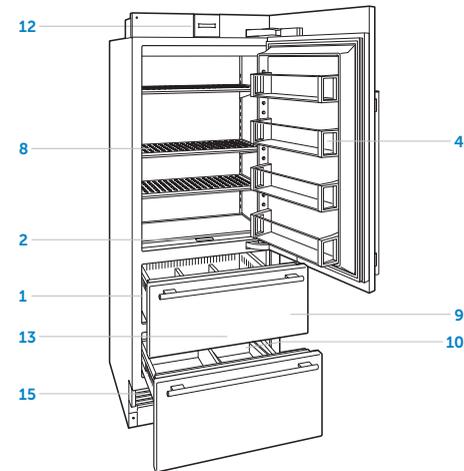
Combi alto



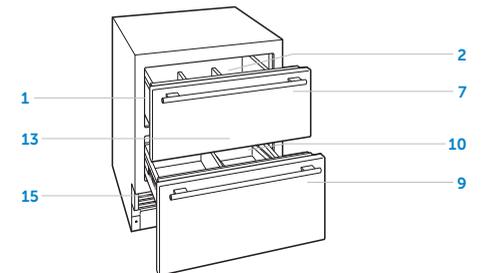
Frigorífico de cajones



Congelador de columna



Congelador alto



Combi de cajones

Panel de mandos digitales

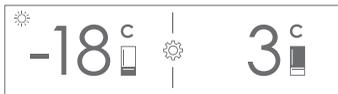
Para la puesta en marcha inicial, mantenga pulsado ⓘ en el panel de mandos durante 2 segundos.

Las temperaturas recomendadas están preestablecidas con -18 °C para un congelador y 3 °C para un frigorífico. Las temperaturas se pueden ajustar en incrementos de un grado. El modelo combi tiene dos zonas de temperaturas.

Para ajustar la temperatura:

- 1 Toque la temperatura que desea ajustar:
- 2 Pulse + o – hasta que aparezca la temperatura que desee. Observe la siguiente ilustración.

Para realizar ajustes adicionales, pulse ⚙ en el panel de mandos. Observe la siguiente ilustración.



Pantalla inicial con doble zona



Pantalla inicial con zona individual

AJUSTES

	Ajustar la temperatura y la humedad del cajón del frigorífico
	Encender o apagar el fabricante de cubitos de hielo y la función max ice
	Encender o apagar el purificador de agua
	Configurar la iluminación suave o la luz decorativa (si procede)
	Encender o apagar el modo noche
	Encender y apagar el dispensador
	Activar o desactivar la alarma de la puerta y ajustar su duración
	Ajustar el volumen y el tono de la alarma de la puerta
	Activar o desactivar el recordatorio de cambio del filtro del agua
	Encender y apagar la unidad
	Encender y apagar el modo Sabbath
	Configurar las unidades de temperatura
	Seleccionar el idioma
	Información del sistema
	Visualizar información del mantenimiento y resolución de problemas

Dual Refrigeration®

Esta unidad Sub-Zero incorpora un exclusivo sistema de refrigeración doble, denominado Dual Refrigeration®, para mantener los alimentos frescos durante más tiempo.

Con el sistema Dual Refrigeration® de Sub-Zero, los sistemas individuales del frigorífico y del congelador están diseñados para mantener una temperatura precisa y constante, así como niveles de humedad adecuados para que los alimentos se mantengan durante más tiempo. Dual Refrigeration® elimina el traspaso de olores de los alimentos frescos a los congelados y al hielo y no congela la humedad presente en el aire de la sección de alimentos frescos.

Almacenamiento en el frigorífico

ESTANTES EN LA PUERTA AJUSTABLES

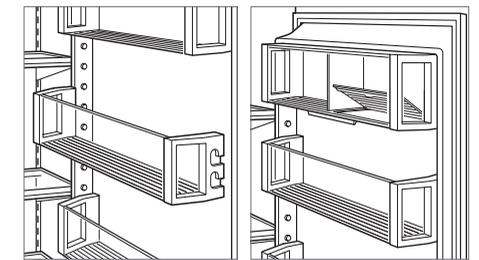
Para cambiar la posición de un estante de la puerta o el compartimento de productos lácteos:

- 1 Para extraerlo, levante el estante desde la parte inferior y deslícelo hasta sacarlo. Observe la siguiente ilustración.
- 2 Para colocarlo, póngalo en la posición deseada y deslice el estante hacia abajo por las guías.

NOTA IMPORTANTE: si la apertura de la puerta está limitada a 90°, es posible que necesite extraer los estantes de la puerta antes de retirar el cajón de almacenamiento o el estante de cristal.

COMPARTIMENTO PARA PRODUCTOS LÁCTEOS CON ABERTURA HACIA ARRIBA

La parte inferior del compartimento de productos lácteos gira hacia arriba para que puedan introducirse productos más altos debajo. En el caso de modelos sin divisores verticales en el compartimento, toda la parte inferior gira hacia delante. En el caso de modelos con un divisor vertical, una sección gira hacia arriba. Observe la siguiente ilustración.



Extracción de los estantes de la puerta

Compartimento de productos lácteos con apertura hacia arriba

Almacenamiento en el frigorífico

ESTANTES DE CRISTAL

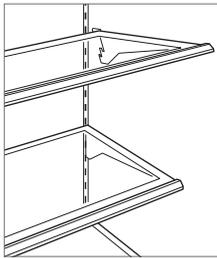
Para cambiar la posición de un estante de la puerta:

- 1 Para extraerlo, inclínelo hacia arriba, levántelo y sáquelo. Observe la siguiente ilustración.
- 2 Para volver a colocarlo, introduzca el estante en las guías situadas en la parte posterior de la pared, y luego baje el frontal hasta que quede bien colocado en su sitio.

NOTA IMPORTANTE: utilice con cuidado los estantes de cristal para evitar que se rompan o se raye el interior.

⚠ PRECAUCIÓN

Es necesario que los estantes se calienten a la temperatura ambiente antes de sumergirlos en agua caliente.



Extracción del estante de cristal

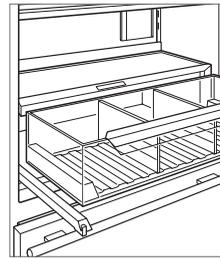
CAJONES DE ALMACENAMIENTO DEL FRIGORÍFICO

Para extraer e instalar un estante del frigorífico:

- 1 Para extraerlo, abra el cajón al máximo hasta que se detenga.
- 2 Levante con cuidado la parte frontal del cajón y tire con firmeza. Observe la siguiente ilustración.
- 3 Para instalarlo, tire del soporte del cajón hacia fuera y alinee la parte inferior del cajón con el soporte.
- 4 Deslice el cajón hasta su posición.

Para cambiar la posición del divisor de un cajón del frigorífico:

- 1 Para extraerlo, tire hacia arriba del divisor.
- 2 Para instalarlo, alinee las pestañas del divisor con las muescas del cajón y empuje hacia abajo.



Extracción de un cajón del frigorífico

Cajones de almacenamiento

CUBIERTA DEL CAJÓN PARA FRUTAS Y VERDURAS

La cubierta del cajón superior de almacenamiento de frutas y verduras se puede cerrar o dejar abierta o extraerse.

Para extraer la cubierta del cajón para frutas y verduras:

- 1 Tire del cajón de almacenamiento y extráigalo completamente.
- 2 Levante el borde delantero de la cubierta del cajón para frutas y verduras, tire de él hacia delante y extráigalo del cajón. Observe la siguiente ilustración.

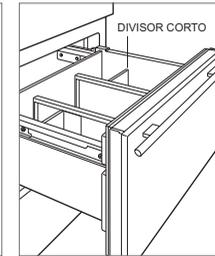
DIVISORES DEL CAJÓN

Para cambiar la posición del divisor de un cajón:

- 1 Para mover un divisor del cajón, deslice el divisor hacia delante o hacia atrás. Observe la siguiente ilustración.
- 2 En los cajones con un ancho de 762 mm (30") y 914 mm (36"), el divisor del cajón superior es ajustable. Para extraer un divisor largo, tire del divisor hacia arriba hasta que se detenga, después gírelo en sentido contrario a las agujas del reloj y tire otra vez hacia arriba.
- 3 Para instalar un divisor largo, alinee sus ranuras con las pestañas del cajón, gírelo en sentido de las agujas del reloj y deslícelo hacia abajo.



Cubierta del cajón para frutas y verduras



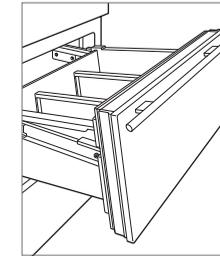
Divisores de cajón

EXTRACCIÓN DE LOS CAJONES

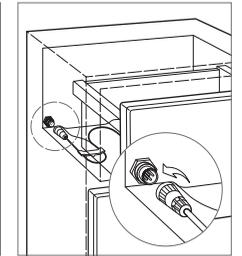
Para extraer e instalar un cajón de almacenamiento:

- 1 Para extraerlo, abra el cajón al máximo hasta que se detenga. Levante con cuidado la parte frontal del cajón y tire con firmeza. Observe la siguiente ilustración.
- 2 Para colocarlo de nuevo, levante la parte delantera del cajón y encájelo en los deslizadores. Encaje la parte trasera del cajón en los agujeros del deslizador, después alinee las pinzas blancas de la parte delantera del deslizador con los agujeros de la parte delantera del cajón.

NOTA IMPORTANTE: en los modelos con cajones, el cajón superior dispone de un cable de control que debe desconectarse antes de sacar el cajón. Observe la siguiente ilustración.



Extracción del cajón



Cable de control (modelo de cajón)

Almacenamiento en el congelador

CAJONES DE ALMACENAMIENTO DEL CONGELADOR

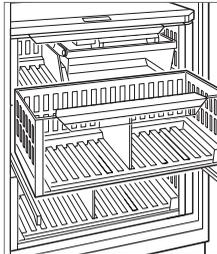
Para extraer un cajón del congelador:

- 1 Abra el cajón al máximo hasta que se detenga.
- 2 Ubique las dos pestañas de plástico situadas delante del cajón que hay detrás de las esquinas inferiores.
- 3 Tire de las pestañas hacia delante y luego tire hacia arriba y hacia fuera. Observe las siguientes ilustraciones.

Si la apertura de la puerta está limitada a 90°, debe retirar el cajón superior antes de extraer el cajón intermedio o inferior.

Para instalar un cajón del congelador:

- 1 Empuje e inserte las guías del cajón.
- 2 Alinee el cajón con las guías y empújelo hacia dentro hasta que se detenga.
- 3 Presione hacia abajo en la parte delantera del cajón para enganchar las guías.



Cajón de congelador de columna



Pestaña de cajón de congelador

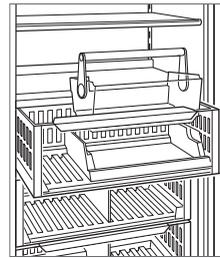
CUBITERA

Para extraer la cubitera (modelo de columna):

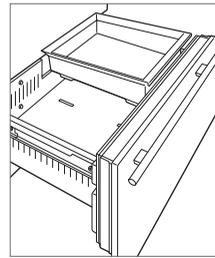
- 1 Tire y abra el cajón al máximo hasta que se detenga.
- 2 Levante y extraiga la cubitera. Observe la siguiente ilustración.

Para extraer la cubitera (modelos altos y de cajones):

- 1 Tire y abra el cajón al máximo hasta que se detenga.
- 2 Levante y extraiga la cubitera. Observe la siguiente ilustración.



Cubitera de unidad de columna



Cubitera de unidad alta y con cajones

Temperatura

CONTROL DE TEMPERATURA

Para optimizar la conservación de los alimentos, la temperatura de los cajones del frigorífico puede ajustarse de manera automática o manual. Todos los cajones están configurados con la misma temperatura y no pueden ajustarse de manera individual.

Modo Auto. Ajusta automáticamente la temperatura de los cajones del frigorífico 2° por debajo de la temperatura fijada del frigorífico, no puede bajar de 1 °C.

Modo Manual. Ajuste manualmente la temperatura de los cajones del frigorífico hasta 2° por encima o por debajo del punto de ajuste del frigorífico, pero no puede ajustarse por debajo de 1 °C o por encima de 6 °C.

Para ajustar la temperatura:

- 1 Pulse .
- 2 Pulse .
- 3 Pulse "A" o "M" para cambiar entre estos dos modos.
- 4 Pulse + o - para ajustar manualmente la temperatura.

Humedad

CONTROL DE LA HUMEDAD

Algunos alimentos, especialmente las verduras, necesitan niveles mejorados de humedad para maximizar la frescura. El nivel de humedad de los cajones del frigorífico es ajustable. Seleccione «Improved» (mejorada) para asegurarse de que el producto dure lo máximo posible. Todos los cajones están configurados con el mismo nivel y no pueden ajustarse de manera individual.

Para ajustar la humedad:

- 1 Pulse .
- 2 Pulse .
- 3 Pulse  para cambiar entre ajustes.

Sistema de purificación del aire

Muchos productos frescos emiten gas de etileno, un compuesto que se genera de manera natural y que acelera el deterioro de los alimentos. Si su unidad está equipada con un sistema de purificación del aire, el cartucho viene instalado de fábrica y se encuentra en la pared trasera del frigorífico.

Para activar la purificación del aire, pulse  en la pantalla de opciones.

▲ AVISO

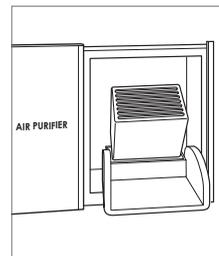
Este aparato contiene un emisor de luz ultravioleta. No mire directamente a la fuente de la luz.

CARTUCHO DE PURIFICACIÓN DEL AIRE

El cartucho de purificación del aire dura aproximadamente un año. Cuando sea necesario cambiar el cartucho, aparecerá «Snooze/Refresh» (retrasar/actualizar) en el panel de mandos. Presione «Snooze» (retrasar) para retrasar el aviso 24 horas o hasta que se sustituya el cartucho.

Para sustituir el cartucho del sistema de purificación del aire:

- 1 Para acceder al cartucho de purificación del aire, deslice la puerta hacia la izquierda.
- 2 Agarre la cubierta negra de la parte superior y gire hacia abajo. El cartucho emerge y puede extraerse. Observe la siguiente ilustración.
- 3 Saque el cartucho nuevo de su embalaje e introdúzcalo con el conector señalando hacia abajo.
- 4 Cierre la cubierta negra y, a continuación, deslice la puerta hacia la derecha.
- 5 Siga las instrucciones que aparecen en el panel de control. El ciclo de vida útil del nuevo cartucho es de aproximadamente un año.



Cartucho de purificación de aire

Sistema de filtrado del agua

El sistema de filtrado del agua suministra agua filtrada al fabricante de cubitos y al dispensador de agua (modelos provistos con dispensador) para producir agua y hielo de un gran sabor.

NOTA IMPORTANTE: Al usar el sistema de filtrado del agua por primera vez y después de la sustitución de un filtro, es necesario purgar el aire que quede en el sistema y permitir que el filtro ayude a limpiar los conductos del agua. En los modelos que no dispongan de dispensador, deseche los dos primeros recipientes de hielo enteros. En los modelos que dispongan de dispensador, dispense varios vasos de agua durante un periodo de dos minutos.

Si no va a usarse el sistema de filtración de agua, puede utilizarse el modo de desviación de filtrado de agua retirando para ello el filtro.

FILTRO DE AGUA

El filtro de agua debe reemplazarse cada 1136 litros (300 galones) o después de un año, lo que ocurra primero. Cuando sea necesario cambiar el filtro, aparecerá «Snooze/Refresh» (retrasar/actualizar) en el panel de mandos. Presione «Snooze» (retrasar) para retrasar el aviso 24 horas o hasta que se sustituya el filtro.

Para sustituir el filtro de agua:

- 1 Para acceder al filtro de agua, tire del borde inferior de la puerta de acceso y gírela hacia arriba. Observe la siguiente ilustración.
- 2 Para extraer el filtro viejo, gírelo hacia la izquierda un cuarto de vuelta y tire de él hasta sacarlo. Es normal que gotee una pequeña cantidad de agua al extraer el filtro. Debe limpiarse con papel de cocina o un paño.
- 3 Extraiga el filtro nuevo de su envase y quítele la tapa de plástico.
- 4 Inserte el nuevo filtro en el conector y gírelo hacia la derecha.
- 5 Una vez que haya instalado el filtro nuevo, siga las instrucciones del panel de mandos. El ciclo de vida útil del filtro se restablecerá para aproximadamente un año.



Filtro de agua

Fabricador de cubitos de hielo

Para utilizar el fabricante de cubitos de hielo:

- 1 Para activar el fabricante de cubitos de hielo, pulse  en la pantalla de opciones. Si aparece resaltado un solo cubito, significa que el fabricante de hielo está activado.  Indica que está activada la función Max Ice.
- 2 Para desactivar el fabricante de hielo, pulse  hasta que no aparezca resaltado ningún cubito.

Tras la puesta en marcha inicial, deseche las primeras tandas de hielo, pues pueden contener impurezas procedentes de los conductos nuevos de fontanería.

La función max ice incrementa la producción de hielo en un 30 % durante un período de 24 horas. Durante dicho período, algunos de los componentes pueden funcionar a mayor velocidad, provocando un tono sonoro. Esto es normal y se revertirá después de 24 horas o cuando la cubitera esté llena.

Los cubitos de hielo pueden pegarse unos a otros si no se usan a menudo. Para evitarlo, deseche el hielo fabricado y deje que la cubitera vuelva a llenarse.

Desactive el fabricante de cubitos de hielo si la unidad va a funcionar sin la cubitera durante un período prolongado. La unidad está equipada con una retención de 3 minutos desde que se extrae la cubitera, que garantiza que los cubitos no se expulsan antes de que se desactive el fabricante de hielo o se reinstale la cubitera.

Modo noche

El modo noche reduce automáticamente el brillo de la luz interior cuando se detecta una luz ambiental baja.  aparece en la esquina superior izquierda de la pantalla del panel de mandos cuando el modo noche está activado.

 aparece cuando se detecta una luz ambiental baja. El brillo de la luz interior sigue siendo reducido durante tres minutos, incluso si cambia la luz ambiental. Pulse  para aumentar el brillo.

Para encender o apagar el modo noche:

- 1 Pulse .
- 2 Pulse .

Sabbath

Este aparato lleva el certificado Star-K que indica que cumple rigurosas normas religiosas e instrucciones específicas que aparecen en la página www.star-k.org.

El modo Sabbath enciende automáticamente las luces interiores con un brillo reducido. Las luces permanecen encendidas cuando se cierra la puerta. Las luces no pueden apagarse en modo Sabbath.

El modo Sabbath se desactiva automáticamente transcurridas 74 horas. Todas las preferencias de iluminación vuelven a la configuración anterior cuando se desactiva el modo Sabbath.

Para activar el modo Sabbath:

- 1 Pulse .
- 2 Pulse y mantenga pulsado  durante 3 segundos.

Para desactivar el modo Sabbath:

- 1 Pulse y mantenga pulsado  durante un máximo de 10 segundos.

Dispensador de agua

El depósito de agua interno de 1 litro debe llenarse antes de que el agua salga del dispensador. Pulse y mantenga pulsada la palanca del dispensador de agua durante un máximo de 60 segundos hasta que salga agua.

La primera vez que se llena el depósito o después de utilizar una gran cantidad de agua se tarda varias horas en enfriar el agua a la temperatura del frigorífico.

El dispensador dispone de un modo de seguridad para limitar la continua circulación de agua a 60 segundos.

Para dispensar agua:

- 1 Presione con un vaso el dispensador para activar la circulación del agua. Observe la siguiente ilustración.
- 2 La circulación de agua se detiene cuando el vaso se retira.



Dispensador de agua

Conservación de los alimentos

Consejos para conservar los alimentos. Para reducir el riesgo de deterioro, minimice la manipulación de los alimentos. Guarde la fruta y la verdura por separado. Guarde la carne en su envase original; una vez abierta, envuélvala de nuevo lo más hermética posible.

Gas de etileno. Muchos productos frescos emiten gas de etileno, un compuesto que se genera de manera natural y que acelera el deterioro de los alimentos. Los frigoríficos de Sub-Zero disponen de un sistema de purificación del aire (basado en la tecnología desarrollada por la NASA) que limpia el aire de etileno y elimina los malos olores cada 20 minutos. Para reducir el deterioro, no guarde frutas y verduras que produzcan etileno junto a aquellos alimentos que sean sensibles a este gas.

e* Indica un producto que genera etileno.

e- Indica un producto sensible al etileno.

Humedad. El nivel de humedad óptimo varía según los distintos alimentos. Para conservar la frescura de los productos durante más tiempo, guarde los productos en las áreas designadas en las siguientes tablas.

ALIMENTO	CÓDIGO ECO	FRIGORÍFICO	CONGELADOR
VERDURAS FRESCAS			
Alcachofas		1-2 semanas	No se recomienda congelar la verdura
Espárragos		2-3 semanas	
Brotos de judías verdes		7-9 días	
Judías (verdes o lima)	e-	7-10 días	
Remolachas sin hojas		3-4 meses	
Bok choy	e-	3 semanas	
Broccoli	e-	1-2 semanas	
Repollo	e-	3-6 semanas	
Zanahorias	e-	1-5 meses	
Coliflor	e-	3-4 semanas	
Apio		1-2 meses	
Maíz		5-8 días	
Pepinos	e-	10-14 días	
Berenjena*	e-	1-2 semanas	
Hierbas frescas	e-	1-3 semanas	
Ajo*		6-7 meses	
Jengibre*		6 meses	
Jicama*		1-2 meses	
Col rizada	e-	1-2 meses	
Puerros		2 meses	
Lechuga	e-	2-3 semanas	
Champiñones		1-2 semanas	
Cebollas		1-6 meses	
Perejil	e-	1-2 meses	
Guisantes (sin hebra, tirabeques, mollaes)	e-	1-2 semanas	
Pimientos (jalapeño o chile)	e-	2-3 semanas	
Patatas*		5-10 meses	
Rabanitos		1-2 meses	
Cebolletas		6 meses	
Espinacas	e-	10-14 días	
Calabacín (piel suave)	e-	1-2 semanas	
Tamarillos		7-10 días	
Castañas de agua		2-4 meses	

*No refrigerar

ALIMENTO	CÓDIGO ECO	FRIGORÍFICO	CONGELADOR
FRUTA FRESCA			
Manzanas	e+	1-2 meses	No se recomienda congelar la fruta fresca
Albaricoques	e+	1-2 semanas	
Aguacates†	e+	2-4 semanas	
Plátanos*	e-	1-4 semanas	
Arándanos		10-18 días	
Cantalupo	e+	2-3 semanas	
Cherries		2-3 semanas	
Higos	e+	7-10 días	
Pomelo		6-8 semanas	
Uvas		2-3 semanas	
Melón dulce	e-	3-4 semanas	
Kiwi	e-	4-6 semanas	
Limones		1-6 meses	
Limas		6-8 semanas	
Mangos†	e+	2-3 semanas	
Nectarinas	e+	2-4 semanas	
Naranjas		3-8 semanas	
Melocotones		2-4 semanas	
Peras†	e+	2-3 semanas	
Piña		2-4 semanas	
Ciruelas	e+	2-5 semanas	
Frambuesas		3-6 días	
Fresas		7-10 días	
Tomates*	e+	1-3 semanas	
HUEVOS Y EMBUTIDOS Y FIAMBRES			
Huevos (frescos)		3 semanas	No se recomienda congelar los huevos o los embutidos y fiambres
Sustitutos de huevo (pasteurizados)		3 días	
Huevo, atún o ensalada de jamón		3-5 días	
Fiambres loncheados finos		1-2 días	

*No refrigerar. †Madurar en la encimera antes de refrigerar.

ALIMENTO	CÓDIGO ECO	FRIGORÍFICO	CONGELADOR
SOPA			
Guiso con carne		3-4 días	2-3 meses
Sopa de verduras		3-4 días	2-3 meses
CARNES, PESCADOS Y AVES			
Bacon		7 días	1 mes
Bistecs, asado		3-5 días	6-12 meses
Lenguado, perca		2 días	2-3 meses
Ternera en conserva		5-7 días	1 mes
Jamón (entero)		7 días	1-2 meses
Hamburguesas		1-2 días	3-4 meses
Platos de carne (cocinados)		3-4 días	2-3 meses
Chuletas de cerdo y ternera		3-5 días	4-6 meses
Carne de aves (cocinada)		3-4 días	4-6 meses
Carne de aves (cruda)		1-2 días	9 meses
Salmón, caballa		4 días	5-9 meses
Salchicha (cruda)		1-2 días	1-2 meses
Gambas		1 día	6 meses
Salchichas o hamburguesas de desayuno ahumadas		7 días	1-2 meses
PRODUCTOS LÁCTEOS			
Mantequilla		3 meses	1 año
Requesón		1-2 semanas	4 semanas
Queso crema		2 semanas	No se recomienda
Queso fundido		3-4 semanas	6-8 meses
Leche entera o semidesnatada		1-2 semanas	No se recomienda
Yogur		1 mes	No se recomienda

Limpeza

EXTERIOR EN ACERO INOXIDABLE

Utilice un limpiador de acero inoxidable no abrasivo y aplíquelo con un paño suave que no deje pelusas. Para que el acero inoxidable adquiera un brillo natural, frote suavemente la superficie con un paño de microfibra empapado en agua y con una gamuza seca para pulir. Siga siempre la dirección del acero inoxidable.

LIMPIEZA DEL INTERIOR

Para limpiar las superficies interiores y todas las piezas extraíbles, utilice una solución suave de jabón, agua y bicarbonato sódico. Aclárela y, a continuación, séquela completamente. Evite que las luces y el panel de control entren en contacto con el agua.

⚠ PRECAUCIÓN

No utilice vinagre, alcohol de frotar ni otros productos de limpieza con alcohol en ninguna de las superficies del interior.

VACACIONES

En periodos de tiempo prolongados, apague la unidad desde el panel de control. Vacíe la unidad y deje las puertas ligeramente abiertas para permitir que circule el aire fresco y mantener el interior seco. Antes de volver a ponerla en marcha, sustituya el filtro de agua.

LIMPIEZA DEL CONDENSADOR

⚠ PRECAUCIÓN

Antes de limpiar el condensador, desconéctelo desde el panel de control. Utilice guantes para evitar que las aletas afiladas del condensador puedan provocar heridas.

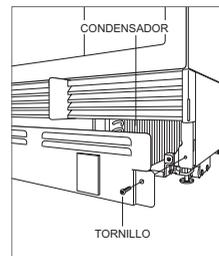
El condensador está situado detrás del zócalo. Limpie el condensador cada 6–12 meses.

Para limpiar el condensador:

- 1 Apague la unidad mediante el panel de control.
- 2 Retire el zócalo extrayendo los dos tornillos de montaje. Observe la siguiente ilustración.
- 3 Utilice un cepillo de cerdas suaves y aspire la zona de la rejilla para eliminar el polvo y las pelusas que se generan en el condensador.

⚠ PRECAUCIÓN

Si no lo hace, es posible que el condensador pueda perder temperatura o que se produzca un fallo o daño mecánico en él.



Ubicación del condensador

Localización y solución de problemas

FUNCIONAMIENTO DE LA UNIDAD

No se ilumina ni enfría.

- 1 Compruebe si está encendido.
- 2 Compruebe la red eléctrica de la unidad y asegúrese de que el disyuntor de su hogar está conectado.

El frigorífico y el congelador no se iluminan.

- 1 Es posible que la puerta o cajón se hayan dejado entreabiertos, de forma que se han desactivado las luces para eliminar el exceso de calor. Si las luces no funcionan, cierre la puerta o cajón durante una hora. Si las luces siguen sin encenderse, póngase en contacto con el servicio de asistencia técnica autorizado de Sub-Zero.
- 2 Las luces LED interiores deben ser sustituidas por el servicio de asistencia técnica autorizado de Sub-Zero.

No hay luz en el estante del frigorífico.

- 1 Compruebe que el estante está correctamente instalado en las guías situadas en la parte posterior de la pared.
- 2 Compruebe que nada (un envase o un alimento que tenga altura) esté impidiendo que el estante encaje en las guías situadas en la parte posterior de la pared.

Hay hielo, escarcha o condensación acumulados en el interior de la unidad.

- 1 Compruebe que el condensador está limpio.
- 2 Compruebe que la puerta/cajón cierran correctamente.
- 3 Compruebe que no ha dejado la puerta o cajón entreabiertos.
- 4 Compruebe que la junta de la puerta o cajón no está rasgada ni rota. En caso de que lo esté, póngase en contacto con el servicio de asistencia técnica autorizado de Sub-Zero.
- 5 Si contiene mucho hielo, apague la unidad y utilice un secador para derretir el hielo. El secador debe mantenerse al mínimo y en movimiento en todo momento. Una vez derretido el hielo, seque el agua con un paño o con papel de cocina.

Temperaturas elevadas, la unidad funciona en exceso o desprende demasiado calor.

- 1 Compruebe que el condensador está limpio.
- 2 Compruebe que la puerta/cajón cierran correctamente.
- 3 Compruebe que no ha dejado la puerta o cajón entreabiertos.
- 4 Si aumenta la temperatura ambiente, es posible que los compresores funcionen durante más tiempo.
- 5 Si la temperatura muestra -18 °C y 3 °C, pero no enfría, es posible que la unidad se encuentre en modo de exposición. Póngase en contacto con el servicio de asistencia técnica autorizado de Sub-Zero.

El dispensador no echa agua.

- 1 Espere una hora y pruébelo de nuevo. Póngase en contacto con el servicio de asistencia técnica de Sub-Zero si el problema persiste.

Localización y solución de problemas

FABRICACIÓN DEL HIELO

No hay hielo.

- 1 Compruebe que el indicador de cubitos de hielo aparezca en la pantalla del panel de mandos.
- 2 Compruebe que el fabricante de hielo lleve activado al menos 24 horas.
- 3 Compruebe que la temperatura del congelador esté próxima a los -18 °C.
- 4 Compruebe que la cubitera está correctamente instalada.
- 5 Compruebe que el brazo del fabricante de hielo esté en la posición inferior.
- 6 Compruebe que la unidad tenga suministro de agua.
- 7 Compruebe que el filtro de agua se ha sustituido en los últimos 12 meses y que se ha instalado correctamente.
- 8 Compruebe que el filtro de agua se ha extraído si se está usando un sistema de ósmosis invertido.

El hielo es azul o verde.

- 1 Posible corrosión de la línea de suministro de cobre. Póngase en contacto con un fontanero para limpiarla o sustituirla.

Los cubitos tienen manchas negras.

- 1 Detenga el uso y póngase en contacto con el servicio de asistencia técnica de Sub-Zero.

Tiene mal sabor.

- 1 Descongele el congelador y límpielo con agua y jabón.
- 2 Coloque granos de café o briquetas de carbón para absorber el olor.

Los cubitos están huecos.

- 1 Limpie el condensador. Póngase en contacto con el servicio de asistencia técnica de Sub-Zero si el problema persiste.

OLOR

- 1 Debe limpiar la unidad antes de utilizarla por primera vez. Esto eliminará cualquier olor adquirido durante el envío.
- 2 Sustituya el cartucho del sistema de purificación del aire.
- 3 Limpie la unidad y los estantes a fondo.
- 4 Cubra los alimentos no cubiertos.

SERVICIO

- Mantenga la calidad de su producto poniéndose en contacto con el servicio de asistencia técnica autorizado de Sub-Zero.
- Le recomendamos que anote la referencia del modelo y el número de serie de la unidad cuando se ponga en contacto con el servicio de asistencia técnica. Esta información se muestra en la placa de datos del producto. Consulte la página 6 para ver la ubicación de la placa de datos.
- Para cuestiones relacionadas con la garantía, también necesita saber la fecha de instalación y el nombre de su distribuidor autorizado de Sub-Zero. Esta información está incluida en la página 2 de esta guía.

SERVICIO (SOLO PARA AUSTRALIA)

- Se recomienda realizar un mantenimiento anual.
- Mantenga la calidad de su producto poniéndose en contacto con el servicio de asistencia técnica autorizado de Sub-Zero.
- Le recomendamos que anote la referencia del modelo y el número de serie del producto cuando se ponga en contacto con el servicio de asistencia técnica. Esta información se muestra en la placa de datos del producto. Consulte la página 6 para ver la ubicación de la placa de datos.
- Para cuestiones relacionadas con la garantía, también necesita saber la fecha de instalación y el nombre de su distribuidor autorizado de Sub-Zero. Esta información está incluida en la página 2.
- Solo para Australia; póngase en contacto con Sub-Zero Group Australia Pty Ltd
Level 10, 469 La Trobe Street
Melbourne Victoria 3000
Teléfono 03 9600 2218
subzero-wolf.com.au

SERVICIO (SOLO PARA REINO UNIDO)

- Sub-Zero & Wolf Ltd
9 The Street, Heybridge, Maldon, Essex, CM9 4XB
020 8418 3800
service@subzero-wolf.co.uk
www.subzero-wolf.co.uk

Garantía

Garantía limitada internacional de los productos de Sub-Zero

PARA USO DOMÉSTICO

GARANTÍA COMPLETA DE DOS AÑOS*

Durante dos años después de la fecha de instalación original, la garantía de su producto de Sub-Zero cubre todas las piezas y la mano de obra necesaria para reparar o sustituir cualquier parte del producto que se compruebe que tiene defectos de material o mano de obra, siempre y cuando se haya realizado un uso doméstico normal. El servicio certificado de fábrica de Sub-Zero llevará a cabo todos los servicios ofrecidos por la misma en virtud de dicha garantía, a menos que Sub-Zero, Inc. especifique lo contrario. El servicio se proporcionará durante el horario laboral normal.

GARANTÍA COMPLETA DEL SISTEMA SELLADO DE CINCO AÑOS

Durante cinco años a partir de la fecha de instalación original, la garantía de este producto Sub-Zero cubre todas las piezas y la mano de obra necesaria para reparar o sustituir estas partes que se compruebe que tengan defectos en materiales o mano de obra, siempre y cuando provengan de su uso doméstico normal: compresor, condensador, evaporador, secador y todos los tubos de conexión. El servicio certificado de fábrica de Sub-Zero llevará a cabo todos los servicios ofrecidos por la misma en virtud de dicha garantía, a menos que Sub-Zero, Inc. especifique lo contrario. El servicio se proporcionará durante el horario laboral normal.

Para obtener más información con respecto a su garantía de producto de Sub-Zero, póngase en contacto con su distribuidor autorizado de Sub-Zero. Las garantías deben cumplir con todas las normativas nacionales, estatales, municipales y locales.

*Las partes de acero inoxidable (puertas, paneles, tiradores, marcos del producto y superficies interiores) están cubiertas por una garantía limitada de 60 días para piezas y mano de obra por defectos estéticos.

**La sustitución de filtros de agua y los cartuchos de purificación de aire está cubierta por la garantía del producto.



Garantía para exterior

Garantía Internacional de Exterior Limitada*

PARA USO DOMÉSTICO

GARANTÍA COMPLETA DE UN AÑO**

Durante un año a partir de la fecha de instalación original, la garantía de este producto Sub-Zero cubre todas las piezas y la mano de obra necesaria para reparar o sustituir cualquier parte del producto que se compruebe que tenga defectos de material o mano de obra. El servicio certificado de fábrica de Sub-Zero llevará a cabo todos los servicios ofrecidos por la misma en virtud de dicha garantía, a menos que Sub-Zero, Inc. especifique lo contrario. El servicio se proporcionará durante el horario laboral normal.

GARANTÍA COMPLETA DEL SISTEMA SELLADO DE CINCO AÑOS

Durante cinco años a partir de la fecha de instalación original, la garantía de este producto Sub-Zero cubre todas las piezas y la mano de obra necesaria para reparar o sustituir estas partes que se compruebe que tengan defectos en materiales o mano de obra, siempre y cuando provengan de su uso doméstico normal: compresor, condensador, evaporador, secador y todos los tubos de conexión. El servicio certificado de fábrica de Sub-Zero llevará a cabo todos los servicios ofrecidos por la misma en virtud de dicha garantía, a menos que Sub-Zero, Inc. especifique lo contrario. El servicio se proporcionará durante el horario laboral normal.

Para obtener más información con respecto a su garantía de producto de Sub-Zero, póngase en contacto con su distribuidor autorizado de Sub-Zero. Las garantías deben cumplir con todas las normativas nacionales, estatales, municipales y locales.

*El producto debe estar aprobado para uso en exteriores, designado por el modelo y número de serie.

**Las partes de acero inoxidable (puertas, paneles, manillas, marcos del producto y superficies interiores) están cubiertas por una garantía limitada de 60 días para piezas y mano de obra por defectos estéticos.

**La sustitución de filtros de agua y los cartuchos de purificación de aire está cubierta por la garantía del producto.



Table des matières

2	Réfrigérateurs et congélateurs Designer Series
3	Mesures de sécurité
6	Caractéristiques des modèles Designer Series
7	Commandes à effleurement
7	Rangement
9	Fonctionnement du produit
12	Conservation des aliments
13	Consignes d'entretien
13	Dépannage
15	Garanties Sub-Zero

Service clients

Le numéro de modèle et le numéro de série figurent sur la plaque signalétique du produit. Pour repérer l'emplacement de la plaque signalétique, reportez-vous à la page 6.

Pour les besoins de la garantie, vous devrez aussi fournir la date d'installation et le nom de votre revendeur agréé Sub-Zero. Consignez ces renseignements pour pouvoir vous y reporter ultérieurement.

SERVICE APRÈS-VENTE

Numéro de modèle

Numéro de série

Date d'installation

Nom du prestataire agréé

Numéro du service certifié

Distributeur agréé

Numéro du distributeur

En cas de besoin, assurez-vous de contacter un prestataire agréé par l'usine Sub-Zero.

Remarque importante

Pour garantir une installation de ce produit aussi sûre et efficace que possible, veuillez faire particulièrement attention aux mentions mises en évidence tout au long de ce guide, notamment :

REMARQUE IMPORTANTE Met l'accent sur un renseignement particulièrement important.

▲ MISE EN GARDE

Signale un danger qui pourrait causer une blessure mineure ou endommager le produit si vous ne suivez pas les instructions.

▲ AVERTISSEMENT

Signale un danger qui pourrait causer des blessures graves, voire mortelles, si vous ne respectez pas les précautions.

PRÉCAUTIONS IMPORTANTES

⚠ AVERTISSEMENT

Cette unité est réservée à un usage ménager uniquement.

⚠ AVERTISSEMENT

N'obstruez en aucun cas les orifices de ventilation, de l'encastrement de l'unité ou de la structure intégrée.

⚠ AVERTISSEMENT

N'entreposez pas de substances explosives comme des propulseurs inflammables en aérosols à proximité de l'unité.

⚠ AVERTISSEMENT

Cette unité contient un réfrigérant inflammable et doit être manipulée, installée, réparée et mise hors service par un personnel autorisé. Une fois la mise hors service, consultez les autorités locales pour des consignes de mise au rebut de l'unité.

⚠ AVERTISSEMENT

N'endommagez pas le circuit du liquide frigorigène.

⚠ AVERTISSEMENT

N'utilisez pas d'appareils électriques à l'intérieur des compartiments de rangement des aliments de l'unité, à moins qu'il ne s'agisse d'appareils recommandés par le fabricant.

⚠ AVERTISSEMENT

Cet appareil de réfrigération peut être utilisé par des enfants de 8 ans et plus et par des personnes dont les capacités physiques, sensorielles ou mentales sont diminuées ou n'ayant ni l'expérience ni les connaissances requises, à condition qu'ils soient étroitement surveillés ou qu'ils aient reçu des consignes de sécurité applicables une utilisation en toute sécurité de l'unité et qu'ils comprennent les risques qu'ils encourent. Ne laissez pas les enfants jouer avec cet appareil. Le nettoyage et l'entretien ne doivent pas être effectués par des enfants sans surveillance étroite. Il est permis aux enfants âgés de 3 à 8 de charger et de décharger des appareils de réfrigération.

PRÉCAUTIONS IMPORTANTES

⚠ AVERTISSEMENT



Ce symbole signale un risque d'incendie ou de matériaux inflammables.

⚠ AVERTISSEMENT

Afin de minimiser le risque d'inflammation du réfrigérant due à une mauvaise installation, à des pièces de rechange ou à des procédures d'entretien inappropriées, seuls des techniciens en réfrigération qualifiés dans la manipulation de réfrigérant inflammable et formés aux dangers liés aux travaux sous haute tension avec un réfrigérant sous pression sont autorisés à faire des travaux sur cette unité.

⚠ MISE EN GARDE

Les unités non munies d'un compartiment quatre étoiles ne sont pas destinées à congeler des aliments.

⚠ MISE EN GARDE

Pour éviter la contamination des aliments, respectez les consignes suivantes :

- Nettoyez régulièrement les surfaces qui entrent en contact avec les aliments et les systèmes de vidange accessibles.
- Nettoyez les distributeurs de glaçons et d'eau qui n'ont pas été utilisés pendant 48 heures. Récupérez et jetez les glaçons et l'eau s'ils n'ont pas été utilisés depuis plus de cinq jours.
- Ne laissez pas la viande et le poisson crus toucher d'autres aliments dans le réfrigérateur. Conservez les dans des conteneurs adaptés.
- Les compartiments une, deux et trois étoiles ne conviennent pas à la congélation d'aliments frais.
- Les compartiments pour aliments surgelés deux étoiles conviennent pour la conservation des aliments précongelés, pour la conservation ou à la fabrication de crème glacée, et pour la fabrication de glaçons.
- Si l'appareil de réfrigération reste vide pendant de longues périodes, éteignez, dégivrez, nettoyez et séchez-le, et laissez la porte ouverte pour éviter le développement de moisissures à l'intérieur.

PRÉCAUTIONS IMPORTANTES

⚠ AVERTISSEMENT

N'utilisez ni dispositif mécanique, ni autre moyen quelconque pour accélérer le dégivrage, autres que ceux recommandés par le fabricant.

⚠ MISE EN GARDE

Les machines à glaçons intégrées doivent être installées par le fabricant ou son agent de service.

⚠ AVERTISSEMENT

Ne pas exposer cette unité à la pluie.

REMARQUE IMPORTANTE : Le fait de laisser les portes ou les tiroirs ouverts pendant une période prolongée augmente la température à l'intérieur de l'unité.

⚠ AVERTISSEMENT

DANGER : Risque de piégeage des enfants. Avant de vous débarrasser de votre ancien réfrigérateur ou congélateur, retirez les portes et retirez les clayettes et les séparateurs de tiroir en place pour éviter que les enfants ne puissent monter facilement dans le réfrigérateur ou congélateur.

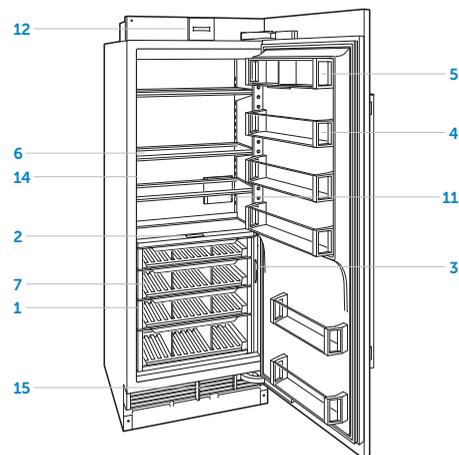
Cette unité est prévue pour un usage ménager ou tout autre usage similaire, tel que :

- les cuisines pour le personnel de bureaux, de magasins et autres milieux de travail ;
- les gîtes ruraux et l'utilisation par des clients dans les hôtels, les motels et autres environnements domestiques ;
- les établissements de type chambres d'hôtes ;
- les traiteurs et autres applications qui n'impliquent pas de vente au détail.

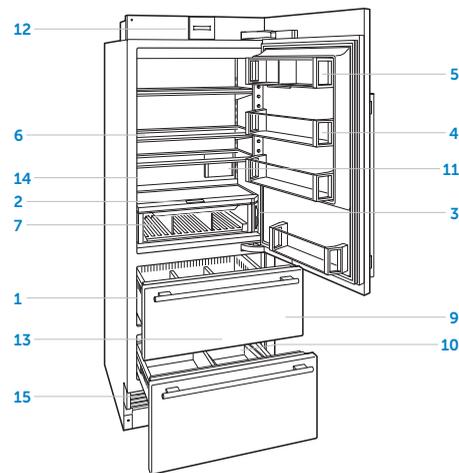
Caractéristiques des modèles Designer Series

CARACTÉRISTIQUES

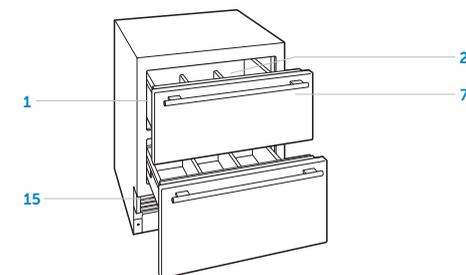
1	Plaque signalétique du produit
2	Panneau des commandes à effleurement
3	Cartes fraîcheur
4	Balconnets de porte réglables
5	Compartiment rabattable destiné aux produits laitiers
6	Clayettes du réfrigérateur
7	Tiroirs de rangement du réfrigérateur
8	Étagères du congélateur
9	Tiroirs de rangement du congélateur
10	Bac à glaçons amovible
11	Système de purification de l'air
12	Système de filtre à eau
13	Machine à glaçons (sur certains modèles)
14	Distributeur d'eau interne (sur certains modèles)
15	Condensateur (derrière la grille)



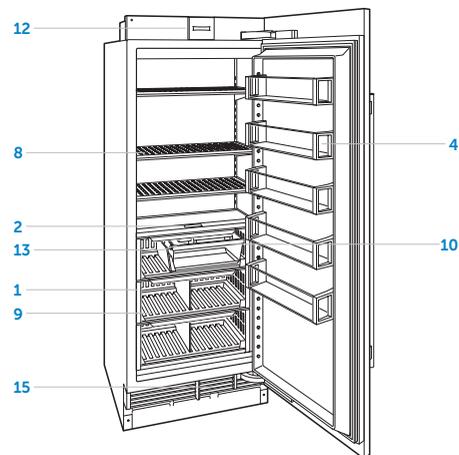
Unité à colonnes, réfrigérateur



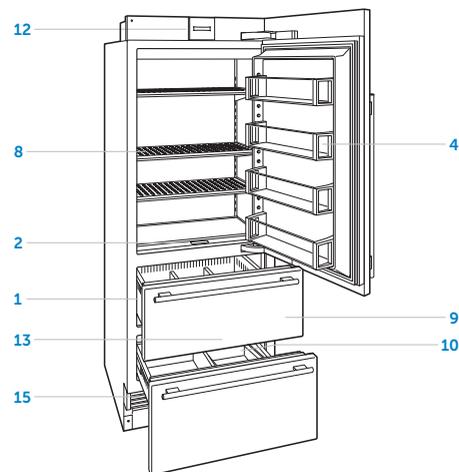
Unité haute, réfrigérateur/congélateur



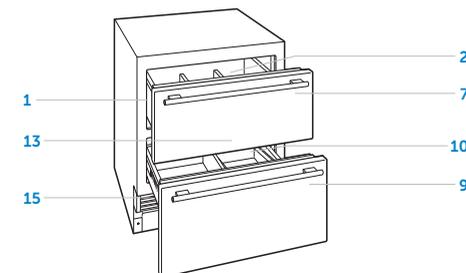
Unité à tiroirs, réfrigérateur



Unité à colonnes, congélateur



Unité haute, congélateur



Unité à tiroirs réfrigérateur/congélateur

Commandes à effleurement

Panneau des commandes à effleurement

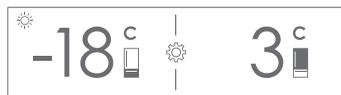
Pour la première mise en marche, effleurez  pendant 2 secondes sur le panneau de commande.

Les températures recommandées sont préprogrammées à -18 °C pour le congélateur et à 3 °C pour le réfrigérateur. La température peut être réglée par paliers d'un degré. Les modèles combinés ont deux zones de température.

Pour régler la température :

- 1 Effleurez la température à régler.
- 2 Effleurez le « + » ou le « - » jusqu'à ce que la température souhaitée s'affiche. Reportez-vous à l'illustration ci-dessous.

Pour les réglages supplémentaires, effleurez la touche  sur le panneau de commande. Reportez-vous à l'illustration ci-dessous.



Écran d'accueil zone double



Écran d'accueil zone unique

RÉGLAGES

	Règle la température et l'humidité du tiroir du réfrigérateur
	Met en marche ou arrête la machine à glaçons et la fonction Glace Max
	Met en marche ou arrête le purificateur d'air
	Règle l'intensité de la luminosité ou l'éclairage ambiant (le cas échéant)
	Met en marche ou arrête le mode nuit
	Allume ou éteint le distributeur
	Active ou désactive l'alarme de la porte et règle la durée
	Règle le volume et la tonalité de l'alarme de la porte
	Active ou désactive le rappel du filtre à eau
	Allume ou éteint l'unité
	Active ou désactive le mode Sabbat
	Règle l'unité de température
	Sélectionne la langue
	Informations sur le système
	Affiche les informations sur le dépannage et l'entretien

Rangement

Dual Refrigeration®

Cet appareil Sub-Zero est doté d'un système Dual Refrigeration® hors pair grâce auquel les aliments restent frais plus longtemps.

Avec le système Dual Refrigeration® Sub-Zero, les systèmes individuels de réfrigération et de congélation ont été conçus afin de maintenir des températures précises et constantes, ainsi que des taux d'humidité adéquats, pour une conservation plus longue des aliments. Le système Dual Refrigeration® élimine le transfert des odeurs des aliments frais vers les aliments congelés et les glaçons et ne congèle pas l'humidité de l'air dans les compartiments réservés aux aliments frais.

Rangement dans le réfrigérateur

BALCONNETS DE PORTE RÉGLABLES

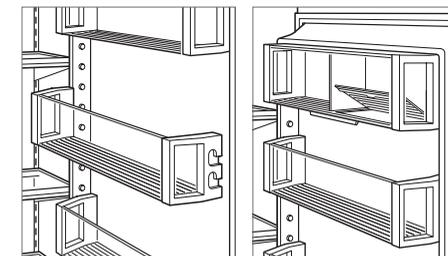
Pour repositionner un balconnet ou le compartiment destiné aux produits laitiers :

- 1 Pour retirer un balconnet, soulevez-le et faites-le glisser. Reportez-vous à l'illustration ci-dessous.
- 2 Pour l'installer, placez-le à l'endroit voulu, puis abaissez-le sur ses rails.

REMARQUE IMPORTANTE : Si l'angle d'ouverture de la porte est limité à 90 degrés, il faudra peut-être retirer les balconnets de la porte avant de retirer un tiroir de rangement ou une clayette en verre.

COMPARTIMENT À VOLET RABBATABLE DESTINÉ AUX PRODUITS LAITIERS

Le bas du compartiment destiné aux produits laitiers pivote vers le haut pour accueillir les articles plus hauts en bas. Pour les modèles sans séparateurs verticaux, l'intégralité du bas pivote vers le haut. Pour les modèles avec séparateur vertical, une section pivote vers le haut. Reportez-vous à l'illustration ci-dessous.



Retrait d'un balconnet de porte

Compartiment à volet rabattable destiné produits laitiers

Rangement dans le réfrigérateur

CLAYETTES EN VERRE

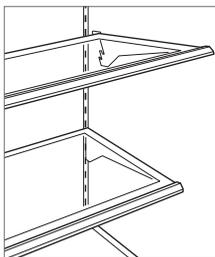
Pour repositionner une clayette en verre :

- 1 Pour retirer une clayette, inclinez-la vers le haut, puis soulevez-la et retirez-la. Reportez-vous à l'illustration ci-dessous.
- 2 Pour replacer une clayette, insérez-la dans les guides de la paroi arrière en soulevant légèrement l'avant jusqu'à ce qu'elle se bloque en place.

REMARQUE IMPORTANTE : Manipulez toujours les clayettes en verre avec précaution pour ne pas casser le verre ou rayer l'intérieur.

▲ MISE EN GARDE

Veillez à toujours réchauffer les clayettes en verre à température ambiante avant de les mettre dans l'eau chaude.



Retrait des clayettes en verre

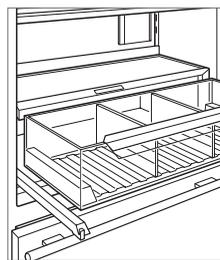
TIROIRS DE RANGEMENT DU RÉFRIGÉRATEUR

Pour retirer et installer un tiroir :

- 1 Pour retirer un tiroir, ouvrez-le jusqu'à la butée.
- 2 Soulevez légèrement le devant du tiroir, puis sortez-le tout droit. Reportez-vous à l'illustration ci-dessous.
- 3 Pour l'installer, sortez le support du tiroir et alignez le fond du tiroir sur le support.
- 4 Faites glisser le tiroir en position.

Pour repositionner un séparateur de tiroir du réfrigérateur :

- 1 Pour le retirer, tirez le séparateur droit vers le haut.
- 2 Pour l'installer, alignez les languettes du séparateur sur les encoches du tiroir et appuyez vers le bas.



Retrait du tiroir du réfrigérateur

Tiroirs de rangement

COUVERCLE DU BAC À LÉGUMES

Le couvercle du bac à légumes dans le tiroir de rangement supérieur peut être coulissé pour être fermé ou il peut rester ouvert.

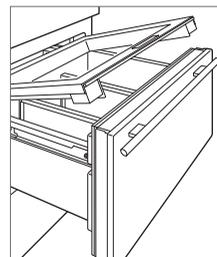
Pour retirer le couvercle du bac à légumes :

- 1 Tirez sur le couvercle du bac à légumes jusqu'à la butée.
- 2 Soulevez-le à l'avant et tirez-le pour le faire sortir. Reportez-vous à l'illustration ci-dessous.

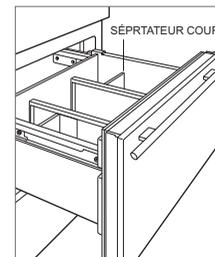
SÉPARATEURS DE TIROIR

Pour repositionner un séparateur de tiroir :

- 1 Pour déplacer un séparateur court, faites-le glisser d'avant en arrière. Reportez-vous à l'illustration ci-dessous.
- 2 Seuls les modèles à tiroirs de 30 po. et 36 po. (76,2 cm et 91,4 mm) sont munis d'un long séparateur réglable dans le tiroir du haut. Pour sortir un séparateur long, poussez-le vers le haut jusqu'à la butée, tournez-le dans le sens contraire des aiguilles d'un montre, puis tirez-le vers le haut.
- 3 Pour le remettre en place, alignez les rainures avec les languettes du tiroir, faites-le tourner dans le sens des aiguilles d'une montre, puis faites-le glisser vers le bas.



Couvercle de bac à légumes



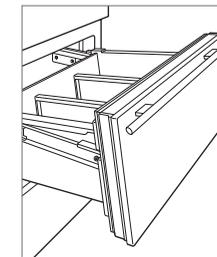
Séparateurs de tiroir

RETRAIT D'UN TIROIR

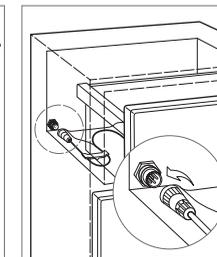
Pour retirer/ installer un tiroir :

- 1 Pour retirer un tiroir, ouvrez-le jusqu'à la butée. Soulevez légèrement le devant du tiroir, puis sortez-le tout droit. Reportez-vous à l'illustration ci-dessous.
- 2 Pour insérer un tiroir, mettez-le sur ses glissières en le soulevant à l'avant. Alignez l'arrière du tiroir sur les crochets de la glissière, puis alignez les taquets blancs qui se trouvent à l'avant de chaque glissière sur les trous situés à l'avant du tiroir.

REMARQUE IMPORTANTE : Sur les modèles à tiroirs, le tiroir supérieur est pourvu d'un câble de commande que vous devez débrancher avant de retirer ce tiroir. Reportez-vous à l'illustration ci-dessous.



Retrait des tiroirs



Câble de commande (modèle à tiroirs)

Rangement dans le congélateur

TIROIRS DE RANGEMENT DU CONGÉLATEUR

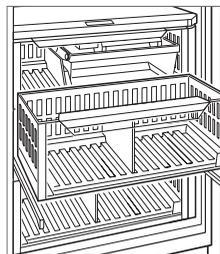
Pour sortir un tiroir du congélateur :

- 1 Ouvrez le tiroir jusqu'à la butée.
- 2 Localisez les deux languettes en plastique à l'avant du tiroir, derrière ses coins du bas.
- 3 Tirez sur les languettes et soulevez le tiroir pour le faire sortir. Reportez-vous aux illustrations ci-dessous.

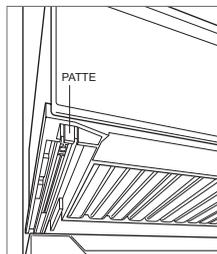
Si l'angle d'ouverture de la porte est limité à 90°, il faudra retirer le tiroir supérieur avant de retirer le tiroir central ou inférieur.

Pour installer un tiroir du congélateur :

- 1 Poussez les coulisses du tiroir vers l'intérieur.
- 2 Alignez le tiroir avec les coulisses et poussez-le jusqu'à la butée.
- 3 Appuyez sur l'avant du tiroir vers le bas afin d'engager les coulisses.



Tiroir de congélateur à colonnes



Patte de tiroir du congélateur

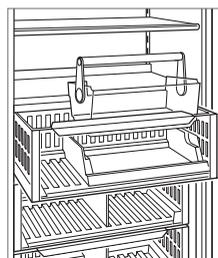
BAC À GLAÇONS

Pour retirer le bac à glaçons (modèles à colonnes)

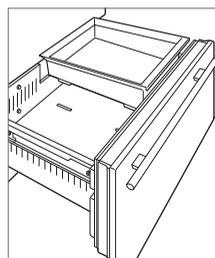
- 1 Ouvrez le tiroir du congélateur jusqu'à la butée.
- 2 Soulevez le bac à glaçons et retirez-le. Reportez-vous à l'illustration ci-dessous.

Pour retirer le bac à glaçons (modèles haut et à tiroirs) :

- 1 Ouvrez le tiroir du congélateur jusqu'à la butée.
- 2 Soulevez le bac à glaçons et retirez-le. Reportez-vous à l'illustration ci-dessous.



Bac à glaçons pour modèle à colonnes



Bac à glaçons pour modèle hauts à tiroirs

Température

CONTRÔLE DE LA TEMPÉRATURE

Pour optimiser la conservation des aliments, la température des tiroirs du réfrigérateur peut être réglée automatiquement ou manuellement. Tous les tiroirs sont réglés à la même température et ils ne peuvent pas être réglés individuellement.

Mode automatique—ajuste automatiquement la température des tiroirs du réfrigérateur à 2° de moins que la température de consigne du réfrigérateur, mais pas en deçà de 1 °C.

Mode manuel—ajuste manuellement la température des tiroirs du réfrigérateur jusqu'à 2° au-dessus ou en dessous du point de consigne du réfrigérateur, mais pas en deçà de 1 °C ou à plus de 6 °C.

Pour régler la température :

- 1 Effleurez .
- 2 Effleurez .
- 3 Effleurez « A » ou « M » pour basculer entre les modes.
- 4 Effleurez + ou - pour régler à la température voulue.

Humidité

CONTRÔLE DE L'HUMIDITÉ

Certains aliments, en particulier les légumes, nécessitent des niveaux d'humidité accrus pour maximiser la fraîcheur. Le taux d'humidité des tiroirs du réfrigérateur est réglable. Sélectionnez « Enhanced » (Amélioré) pour vous assurer que les aliments puissent être conservés aussi longtemps que possible. Tous les tiroirs sont réglés à la même humidité et ils ne peuvent pas être réglés individuellement.

Pour régler l'humidité :

- 1 Effleurez .
- 2 Effleurez .
- 3 Effleurez  pour basculer entre les réglages.

Système de purification de l'air

De nombreux aliments frais émettent du gaz éthylène, un composé naturel qui accélère la maturation et la détérioration des aliments. Si votre appareil est équipé d'un système de purification de l'air, la cartouche a été installée en usine et se trouve sur la paroi arrière du réfrigérateur.

Pour activer la purification de l'air, effleurez la touche  sur l'écran des options.

▲ AVERTISSEMENT

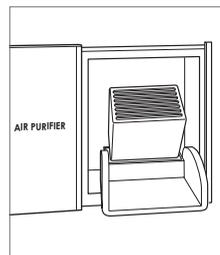
Cet appareil contient un émetteur d'UV. Ne fixez pas des yeux la source lumineuse.

CARTOUCHE DE PURIFICATION DE L'AIR

La cartouche de purification de l'air dure environ un an. L'indicateur « Snooze/Refresh » (Rappel d'alarme/Remettre à zéro) apparaît sur le panneau de commande lorsqu'il faut la remplacer. Appuyez sur « Snooze » (Rappel d'alarme) pour retarder le rappel de 24 heures ou jusqu'à ce que la cartouche puisse être remplacée.

Pour remplacer la cartouche de purification de l'air :

- 1 Pour accéder à la cartouche de purification de l'air, faites glisser la porte vers la gauche.
- 2 Saisissez le couvercle noir par le haut et faites-le pivoter vers le bas. La cartouche s'éjecte et peut être retirée. Reportez-vous à l'illustration ci-dessous.
- 3 Sortez la nouvelle cartouche de l'emballage et insérez-la avec le connecteur dirigé vers le bas.
- 4 Fermez le couvercle noir, puis faites glisser la porte vers la droite.
- 5 Suivez les consignes affichées sur le panneau de commande. Le cycle actif de la cartouche se réinitialise pour environ un an.



Cartouche de purification de l'air

Système de filtre à eau

Le système de filtre amène de l'eau filtrée au distributeur d'eau et de glaçons pour produire des glaçons et de l'eau qui ont un goût plaisant.

REMARQUE IMPORTANTE : Lorsqu'on installe un filtre à eau pour la première fois ou que l'on remplace celui-ci, il faut purger l'air du système et nettoyer les conduites d'eau avec le nouveau filtre. Sur les modèles sans distributeur d'eau, jetez les deux premiers bacs de glaçons produits. Sur les modèles à distributeur d'eau, servez plusieurs verres d'eau pendant 2 minutes.

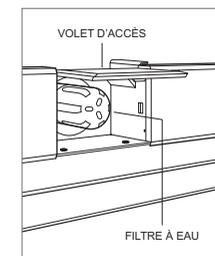
Si vous ne pensez pas utiliser le filtre à eau, il est possible de le retirer et de poser une dérivation.

FILTRE À EAU

Le filtre à eau est conçu pour filtrer 1 136 litres (300 gallons) d'eau et, en tout état de cause, ne doit pas rester en place plus d'un an. L'indicateur « Snooze/Refresh » (Retarder le rappel/Remplacer) apparaît sur le panneau de commande lorsqu'il faut le remplacer. Appuyez sur « Snooze » pour retarder le rappel de 24 heures ou jusqu'à ce que le filtre puisse être remplacé.

Pour remplacer le filtre à eau :

- 1 Pour y accéder, tirez d'abord sur le bord inférieur du volet d'accès pour le soulever. Reportez-vous à l'illustration ci-dessous.
- 2 Pour retirer l'ancien filtre, faites-le tourner d'un quart de tour dans le sens contraire des aiguilles d'une montre et sortez-le. Il est normal qu'un peu d'eau s'égoutte lorsque vous sortez le filtre. Essuyez avec un essuie-tout.
- 3 Sortez le nouveau filtre de son emballage et retirez son bouchon en plastique.
- 4 Insérer le nouveau filtre dans le logement du filtre et tournez-le dans le sens des aiguilles d'une montre.
- 5 Une fois le nouveau filtre installé, suivez les directives du panneau de commande. Le cycle de vie du filtre sera réinitialisé pour environ un an.



Filtre à eau

Machine à glaçons

Pour utiliser la machine à glaçons :

- 1 Pour mettre en marche la machine à glaçons, touchez  sur l'écran d'options. Un seul glaçon illuminé indique que la machine à glaçons est en marche.  indique que le système produira le maximum de glaçons.
- 2 Pour arrêter la machine à glaçons, effleurez la touche  jusqu'à ce que plus aucun glaçon ne soit illuminé.

Après la première mise en marche, jetez les premiers glaçons qui auront été formés. Les glaçons pourraient contenir des impuretés issues de la nouvelle tuyauterie.

La fonction « Glace Max » permet d'accroître la production de glaçons de 30 % sur une période de 24 heures. Pendant cette période-là, certains composants risquent de fonctionner à un régime supérieur et vous pourriez remarquer un bruit particulier. C'est normal et cela changera au bout de 24 heures ou une fois que le bac à glaçons est plein.

La glace peut fusionner si les glaçons ne sont pas utilisés régulièrement. Pour éviter cela, jetez le contenu du bac et laissez-le se remplir de nouveau.

Désactivez la machine à glaçons si le bac doit être retiré pendant une durée prolongée. L'appareil est équipé d'un système de retardement de trois minutes après le retrait du bac à glaçons pour assurer que des glaçons ne seront pas éjectés avant que la machine à glaçons soit désactivée ou que le bac à glaçons soit installé.

Mode nuit

Le mode nuit réduit automatiquement la luminosité de l'éclairage intérieur lorsqu'une faible luminosité ambiante est détectée.  apparaît dans le coin supérieur gauche de l'écran du panneau de commande lorsque le mode nuit est activé.

 apparaît lorsqu'une faible lumière ambiante est détectée. La luminosité de la lumière intérieure reste réduite pendant trois minutes, même si la lumière ambiante change. Effleurez  pour augmenter la luminosité.

Pour activer ou désactiver le mode nuit :

- 1 Effleurez .
- 2 Effleurez .

Mode Sabbath (Sabbat)

Cet appareil électroménager a reçu la certification Star-K. Il répond aux strictes exigences religieuses établies et aux instructions spécifiques que vous pouvez consulter sur www.star-k.org.

Le mode Sabbath règle automatiquement les lumières intérieures à une luminosité réduite. Les lumières restent allumées lorsque la porte est fermée. Les lumières ne peuvent pas être éteintes en mode Sabbath.

Le mode Sabbath se désactive automatiquement après 74 heures. Une fois le mode Sabbath désactivé, toutes les préférences d'éclairage reviennent au réglage précédent.

Pour activer le mode Sabbath :

- 1 Effleurez .
- 2 Effleurez  pendant 3 secondes.

Pour désactiver le mode Sabbath :

- 1 Placez votre doigt sur  pendant 10 secondes.

Distributeur d'eau

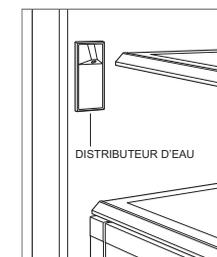
Pour que de l'eau s'écoule du distributeur, le réservoir d'eau interne de 1 litre doit être plein. Appuyez sur la palette du distributeur d'eau pendant 60 secondes maximum jusqu'à ce que de l'eau soit distribuée.

Il faudra plusieurs heures pour refroidir l'eau à la température du réfrigérateur la première fois ou après s'être servi plusieurs verres au distributeur.

Une fonction de sécurité a été incorporée au distributeur pour limiter l'écoulement ininterrompu de l'eau pendant plus de 60 secondes.

Pour verser de l'eau :

- 1 Appuyez un verre contre le distributeur pour faire couler l'eau. Reportez-vous à l'illustration ci-dessous.
- 2 L'eau s'arrête de couler lorsque vous retirez le verre.



Distributeur d'eau

Conservation des aliments

Conseils pour la conservation des aliments—Pour réduire le risque de détérioration des aliments, évitez de les manipuler. Conservez les fruits et les légumes séparément. Conservez les viandes dans leur emballage d'origine ; une fois l'emballage ouvert, réemballez-les hermétiquement.

Gaz éthylène—De nombreux aliments frais émettent du gaz éthylène, un composé naturel qui accélère la maturation et la détérioration des aliments. Les réfrigérateurs Sub-Zero sont équipés d'un système de purification de l'air (basé sur une technologie développée par la NASA) qui nettoie l'air de l'éthylène et des odeurs toutes les 20 minutes. Pour réduire la détérioration, ne stockez pas les fruits et légumes produisant de l'éthylène avec ceux qui sont sensibles à l'éthylène.

e* Indique un aliment produisant de l'éthylène.

e- Indique un aliment sensible à l'éthylène.

Humidité—L'humidité optimale varie selon les aliments. Pour conserver la fraîcheur des aliments plus longtemps, rangez les aliments dans les zones désignées dans les tableaux suivants.

ALIMENT	CODE E	RÉFRIGÉRATEUR	CONGÉLATEUR
LÉGUMES FRAIS			
Artichauts		1–2 semaines	Il n'est pas recommandé de congeler les légumes frais.
Asperges		2–3 semaines	
Germes de soja		7–9 jours	
Haricots verts ou de Lima	e-	7–10 jours	
Betteraves sans fanes		3–4 mois	
Bok choy	e-	3 semaines	
Brocoli	e-	1–2 semaines	
Chou	e-	3–6 semaines	
Carottes	e-	1–5 mois	
Chou fleur	e-	3–4 semaines	
Céleri		1–2 mois	
Mais		5–8 jours	
Concombres	e-	10–14 jours	
Aubergines*	e-	1–2 semaines	
Herbes fraîches	e-	1–3 semaines	
Ail*		6–7 mois	
Gingembre		6 mois	
Jicama*		1–2 mois	
Chou frisé	e-	1–2 mois	
Poireaux		2 mois	
Laitue	e-	2–3 semaines	
Champignons		1–2 semaines	
Oignons		1–6 mois	
Persil	e-	1–2 mois	
Pois mange-tout, sucrés, gourmands	e-	1–2 semaines	
Poivrons ou piment chili	e-	2–3 semaines	
Pommes de terre*		5–10 mois	
Radis		1–2 mois	
Échalotes		6 mois	
Épinards	e-	10–14 jours	
Courge (écorce souple)	e-	1–2 semaines	
Tamarillos		7–10 jours	
Châtaignes d'eau		2–4 mois	

*Ne pas réfrigérer.

ALIMENT	CODE E	RÉFRIGÉRATEUR	CONGÉLATEUR
FRUITS FRAIS			
Pommes	e*	1–2 mois	Il n'est pas recommandé de congeler les fruits frais.
Abricots	e*	1–2 semaines	
Avocats ¹	e*	2–4 semaines	
Bananes*	e-	1–4 semaines	
Bleuets		10–18 jours	
Melon musqué	e*	2–3 semaines	
Cerises		2–3 semaines	
Figues	e*	7–10 jours	
Pamplemousse		6–8 semaines	
Raisins		2–3 semaines	
Melon miel	e-	3–4 semaines	
Kiwis	e-	4–6 semaines	
Citrons		1–6 mois	
Citrons verts		6–8 semaines	
Mangues ¹	e*	2–3 semaines	
Nectarines	e*	2–4 semaines	
Oranges		3–8 semaines	
Pêches		2–4 semaines	
Poires ¹	e*	2–3 semaines	
Ananas		2–4 semaines	
Prunes	e*	2–5 semaines	
Framboises		3–6 jours	
Fraises		7–10 jours	
Tomates	e*	1–3 semaines	
ŒUFS ET CHARCUTERIE			
Œufs (frais)		3 semaines	Il n'est pas recommandé de congeler les œufs et la charcuterie.
Substitut d'œuf (ouvert)		3 jours	
Salade d'œufs, de thon ou de jambon		3–5 jours	
Fines tranches de viande froide		1–2 jours	

*Ne pas réfrigérer. ¹Faire mûrir sur le comptoir avant de réfrigérer.

ALIMENT	CODE E	RÉFRIGÉRATEUR	CONGÉLATEUR
SOUPE			
Ragoût avec de la viande		3–4 jours	2–3 mois
Soupe aux légumes		3–4 jours	2–3 mois
VIANDE, POISSON ET VOLAILLE			
Bacon		7 jours	1 mois
Steaks et rôti de bœuf		3–5 jours	6–12 mois
Tassergal, perche		2 jours	2–3 mois
Bœuf salé		5–7 jours	1 mois
Jambon (entier)		7 jours	1–2 mois
Hamburgers		1–2 jours	3–4 mois
Plats cuisinés à la viande (cuite)		3–4 jours	2–3 mois
Côtelettes de porc et de veau		3–5 jours	4–6 mois
Volaille (cuite)		3–4 jours	4–6 mois
Volaille (crue)		1–2 jours	9 mois
Saumon, maquereau		4 jours	5–9 mois
Saucisse (crue)		1–2 jours	1–2 mois
Crevettes		1 jour	6 mois
Saucisses fumées et galettes de viande		7 jours	1–2 mois
PRODUITS LAITIERS			
Beurre		3 mois	1 an
Fromage blanc		1–2 semaines	4 semaines
Fromage à la crème		2 semaines	Non recommand.
Fromage fondu		3–4 semaines	6–8 mois
Lait entier ou écrémé		1–2 semaines	Non recommand.
Yaourt		1 mois	Non recommand.

Nettoyage

EXTÉRIEUR EN ACIER INOXYDABLE

Utilisez un nettoyant non abrasif pour acier inoxydable que vous appliquerez à l'aide d'un chiffon doux non pelucheux. Afin de faire ressortir le lustre naturel, essuyez légèrement la surface avec un chiffon en microfibrilles humide, puis avec une peau de chamois sèche. Déplacez toujours le chiffon dans le sens du grain de l'acier inoxydable.

NETTOYAGE DE L'INTÉRIEUR

Pour nettoyer les surfaces intérieures et toutes les pièces amovibles, utilisez une solution douce de savon, d'eau tiède et de bicarbonate de soude. Rincez et séchez complètement. Évitez de mettre de l'eau sur les lampes et sur le panneau de commande.

▲ MISE EN GARDE

N'utilisez pas de vinaigre, d'alcool médical, ni de produits nettoyants à base d'alcool sur les surfaces intérieures.

ABSENCES PROLONGÉES

Pour des absences prolongées, coupez l'alimentation électrique au panneau de commande. Videz l'unité et laissez les portes légèrement entrouvertes pour laisser pénétrer l'air frais et maintenir l'intérieur sec. Le filtre à eau doit être remplacé avant la mise en marche.

NETTOYAGE DU CONDENSATEUR

▲ MISE EN GARDE

Avant de nettoyer le condensateur, coupez l'alimentation électrique au panneau de commande. Mettez des gants afin d'éviter de vous blesser avec les rebords acérés des ailettes du condensateur.

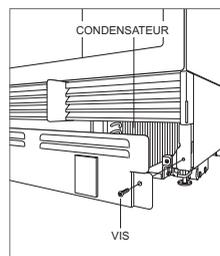
Le condensateur est situé derrière la plinthe. Nettoyez le condensateur tous les 6 à 12 mois.

Pour nettoyer le condensateur :

- 1 Mettez l'unité hors tension au niveau du panneau de commande.
- 2 Retirez la plinthe en dévissant ses deux vis. Reportez-vous à l'illustration ci-dessous.
- 3 À l'aide d'une brosse à poils doux et d'un aspirateur, enlevez la poussière et les peluches du condensateur.

▲ MISE EN GARDE

Si vous ne nettoyez pas le condensateur, des fuites thermiques, des défaillances mécaniques ou des dommages pourraient se produire.



Emplacement du condensateur

Dépannage

FONCTIONNEMENT DE L'UNITÉ

Pas d'éclairage, ni de refroidissement.

- 1 Vérifiez qu'il est bien sous tension.
- 2 Vérifiez que l'unité est sous tension et que le disjoncteur de la maison n'a pas sauté.

Pas d'éclairage, ni dans le réfrigérateur, ni dans le congélateur.

- 1 Il se peut que la porte ou le tiroir soit resté entrouverts, ce qui a désactivé l'éclairage pour éliminer une source de chaleur excessive. Si l'éclairage ne marche pas, fermez la porte ou le tiroir pendant une heure. Si l'éclairage ne marche toujours pas, contactez un prestataire agréé par l'usine Sub-Zero.
- 2 L'éclairage intérieur DEL doit être remplacé par un prestataire agréé par l'usine Sub-Zero.

Pas d'éclairage au niveau des clayettes du réfrigérateur.

- 1 Vérifiez que la clayette est bien installée le long des rails de la paroi arrière.
- 2 Vérifiez que rien n'empêche la clayette de s'enclencher avec les rails de la paroi arrière (comme un conteneur trop haut ou des aliments).

Accumulation de givre, de condensation ou de glace à l'intérieur de l'unité.

- 1 Vérifiez que le condensateur est propre.
- 2 Vérifiez que la porte ou le tiroir se ferment correctement.
- 3 Vérifiez que la porte ou le tiroir ne sont pas restés entrouverts.
- 4 Vérifiez que le joint de la porte ou du tiroir n'est ni déchiré, ni fendu. Si c'est le cas, contactez un prestataire agréé par l'usine Sub-Zero.
- 5 Si l'accumulation de glace est importante, mettez l'unité hors-tension et faites fondre la glace à l'aide d'un sèche-cheveux. Le sèche-cheveux doit être réglé sur chaleur basse et doit être bougé en permanence. Une fois la glace fondue, essuyez l'eau avec un chiffon propre ou une serviette en papier.

Températures élevées, l'unité fonctionne de manière excessive ou dégage trop de chaleur.

- 1 Vérifiez que le condensateur est propre.
- 2 Vérifiez que la porte ou le tiroir se ferment correctement.
- 3 Vérifiez que la porte ou le tiroir ne sont pas restés entrouverts.
- 4 Des températures ambiantes plus chaudes peuvent pousser les compresseurs à fonctionner plus longtemps.
- 5 Si la température affichée indique -18 °C et 3 °C, mais que l'unité ne refroidit pas, il se peut qu'elle soit en mode salle d'exposition. Contactez un prestataire agréé par l'usine Sub-Zero.

De l'eau ne sort pas du distributeur.

- 1 Attendez une heure, puis essayez à nouveau d'utiliser le distributeur. Contactez un prestataire agréé par l'usine Sub-Zero si le problème n'est pas résolu.

Dépannage

PRODUCTION DE GLAÇONS

Pas de glaçons.

- 1 Vérifiez que le voyant représentant un glaçon est affiché sur le panneau de commande.
- 2 Vérifiez que la machine à glaçons fonctionne depuis au moins 24 heures.
- 3 Vérifiez que la température du congélateur est aux environs de -18 °C.
- 4 Vérifiez que le bac à glaçons est bien installé.
- 5 Vérifiez que le levier de la machine à glaçons est abaissé.
- 6 Vérifiez que l'appareil est bien alimenté en eau.
- 7 Vérifiez que le filtre à eau a été remplacé il y a moins d'un an et qu'il est bien en place.
- 8 Si vous utilisez un système de filtre par osmose inverse, vérifiez que le filtre à eau est retiré.

Glaçons bleus ou verts.

- 1 Corrosion potentielle de la conduite d'alimentation en cuivre. Contactez un plombier pour qu'il la nettoie ou la remplace.

Particules noires dans les glaçons.

- 1 Arrêtez d'utiliser la machine et contactez un prestataire agréé par l'usine Sub-Zero.

Mauvais goût.

- 1 Dégivrez le congélateur et nettoyez à l'eau et au savon.
- 2 Mettez du café moulu ou des briquettes de charbon dans le congélateur pour absorber l'odeur.

Glaçons vides à l'intérieur.

- 1 Nettoyez le condensateur. Contactez un prestataire agréé par l'usine Sub-Zero si le problème n'est pas résolu.

ODEUR

- 1 L'unité doit être bien nettoyée avant la première mise en marche. Cela permettra d'éliminer les odeurs piégées pendant l'expédition.
- 2 Remplacez la cartouche de purification de l'air.
- 3 Nettoyez minutieusement l'unité et les clayettes.
- 4 Couvrez tout aliment non couvert.

SERVICE APRÈS-VENTE

- Maintenez la qualité qui fait partie intégrante de votre unité en contactant un prestataire agréé par l'usine Sub-Zero.
- Si vous nous contactez pour un service après-vente, vous devrez fournir la référence modèle et le numéro de série de votre unité. Ces deux numéros figurent sur la plaque signalétique du produit. Pour repérer l'emplacement de la plaque signalétique, reportez-vous à la page 6.
- Pour les besoins de la garantie, vous devrez aussi fournir la date d'installation et le nom de votre revendeur agréé Sub-Zero. Ces renseignements doivent être consignés à la page 2 de ce guide.

SERVICE (POUR L'AUSTRALIE UNIQUEMENT)

- Il est recommandé d'effectuer une maintenance annuelle.
- Maintenez la qualité qui fait partie intégrante de votre unité en contactant un prestataire agréé par l'usine Sub-Zero.
- Si vous nous contactez pour un service après-vente, vous devrez fournir le numéro de modèle et le numéro de série de votre produit. Ces deux numéros figurent sur la plaque signalétique du produit. Pour repérer l'emplacement de la plaque signalétique, reportez-vous à la page 6.
- Pour les besoins de la garantie, vous devrez aussi fournir la date d'installation et le nom de votre revendeur agréé Sub-Zero. Notez ces renseignements sur la page 2.
- POUR L'AUSTRALIE UNIQUEMENT :
Sub-Zero Group Australia Pty Ltd
Level 10, 469 La Trobe Street
Melbourne Victoria 3000
Téléphone 03 9600 2218
subzero-wolf.com.au

SERVICE APRÈS-VENTE (POUR LE ROYAUME-UNI UNIQUEMENT)

- Sub-Zero & Wolf Ltd
9 The Street, Heybridge, Maldon, Essex, CM9 4XB
020 8418 3800
service@subzero-wolf.co.uk
www.subzero-wolf.co.uk

Garantie

Garantie limitée internationale de Sub-Zero

POUR USAGE MÉNAGER EXCLUSIVEMENT

GARANTIE TOTALE DE DEUX ANS*

La garantie des appareils Sub-Zero couvre, pendant deux ans à compter de la date de l'installation initiale, tous les frais de pièces et de main d'œuvre pour réparer ou remplacer, dans des conditions d'utilisation ménagère normales, toute pièce du produit qui présenterait des défauts causés par des vices de matériau ou de fabrication. Tous les services offerts par Sub-Zero dans le cadre de la garantie définie ci-dessus doivent être fournis par un prestataire agréé par l'usine Sub-Zero, sauf en cas d'exception particulière spécifiée par Sub-Zero, Inc. Les services seront fournis pendant les heures normales ouvrées.

GARANTIE TOTALE DE CINQ ANS POUR LES SYSTÈMES HERMÉTIQUES

La garantie des appareils Sub-Zero couvre, pendant cinq ans à compter de la date de l'installation initiale, tous les frais de pièces et de main d'œuvre pour réparer ou remplacer, dans des conditions d'utilisation ménagère normales, les pièces suivantes qui présenteraient des défauts causés par des vices de matériau ou de fabrication : compresseur, condenseur, évaporateur, sécheur et toute la tuyauterie de raccordement. Tous les services offerts par Sub-Zero dans le cadre de la garantie définie ci-dessus doivent être fournis par un prestataire agréé par l'usine Sub-Zero, sauf en cas d'exception particulière spécifiée par Sub-Zero, Inc. Les services seront fournis pendant les heures normales ouvrées.

Pour plus de détails concernant la garantie des produits Sub-Zero, veuillez contacter votre revendeur agréé Sub-Zero. Les garanties doivent respecter la législation nationale, régionale et locale en vigueur.

*Les pièces en acier inoxydable (portes, panneaux, poignées, châssis et surfaces intérieures) sont couvertes par une garantie limitée de 60 jours sur les pièces et la main d'œuvre, défauts cosmétiques compris.

**Les filtres à eau de remplacement ne sont pas couverts par la garantie de l'appareil.



Garantie pour les appareils utilisés à l'extérieur

Garantie internationale limitée Sub-Zero pour les appareils utilisés à l'extérieur*

POUR USAGE MÉNAGER EXCLUSIVEMENT

GARANTIE TOTALE D'UN AN**

La garantie des appareils Sub-Zero couvre, pendant un an à compter de la date de l'installation initiale, tous les frais de pièces et de main d'œuvre pour réparer ou remplacer, dans des conditions d'utilisation ménagère normales, toute pièce du produit qui présenterait des défauts causés par des vices de matériau ou de fabrication. Tous les services offerts par Sub-Zero dans le cadre de la garantie définie ci-dessus doivent être fournis par un prestataire agréé par l'usine Sub-Zero, sauf en cas d'exception particulière spécifiée par Sub-Zero, Inc. Les services seront fournis pendant les heures normales ouvrées.

GARANTIE TOTALE DE CINQ ANS POUR LES SYSTÈMES HERMÉTIQUES

La garantie des appareils Sub-Zero couvre, pendant cinq ans à compter de la date de l'installation initiale, tous les frais de pièces et de main d'œuvre pour réparer ou remplacer, dans des conditions d'utilisation ménagère normales, les pièces suivantes qui présenteraient des défauts causés par des vices de matériau ou de fabrication : compresseur, condenseur, évaporateur, sécheur et toute la tuyauterie de raccordement. Tous les services offerts par Sub-Zero dans le cadre de la garantie définie ci-dessus doivent être fournis par un prestataire agréé par l'usine Sub-Zero, sauf en cas d'exception particulière spécifiée par Sub-Zero, Inc. Les services seront fournis pendant les heures normales ouvrées.

Pour plus de détails concernant la garantie des produits Sub-Zero, veuillez contacter votre revendeur agréé Sub-Zero. Les garanties doivent respecter la législation nationale, régionale et locale en vigueur.

*L'appareil doit être homologué pour l'usage à l'extérieur, désigné par son modèle et son numéro de série.

**Les pièces en acier inoxydable (portes, panneaux, poignées, parties du cadre et surfaces intérieures) sont couvertes par une garantie limitée de 60 jours pour pièces et main d'œuvre pour tout vice cosmétique.

**Les filtres à eau de remplacement ne sont pas couverts par la garantie de l'appareil.



Sommario

- 2 Refrigerazione serie design
- 3 Precauzioni di sicurezza
- 6 Caratteristiche della serie design
- 7 Comandi tattili
- 7 Conservazione
- 9 Funzionamento del prodotto
- 12 Conservazione degli alimenti
- 13 Consigli per la manutenzione
- 13 Risoluzione dei problemi
- 15 Garanzie Sub-Zero

Assistenza clienti

Il modello e il numero di serie sono indicati sull'etichetta identificativa del prodotto. Consultare pagina 6 per la posizione dell'etichetta identificativa. Ai fini della garanzia sono inoltre necessari la data di installazione e il nome del rivenditore Sub-Zero autorizzato presso cui è stato effettuato l'acquisto. Annotare le seguenti informazioni a titolo di riferimento futuro.

INFORMAZIONI SUL SERVIZIO DI ASSISTENZA

Numero del modello

Numero di serie

Data di installazione

Nome di assistenza certificato

Numero di assistenza certificato

Rivenditore autorizzato

Numero del rivenditore

Se il prodotto richiede assistenza, rivolgersi a un servizio di assistenza certificato Sub-Zero.

Nota importante

Per garantire l'installazione e il funzionamento sicuri ed efficienti di questo prodotto, prestare attenzione alle seguenti informazioni evidenziate nella guida:

NOTA IMPORTANTE evidenzia informazioni di particolare rilievo.

⚠ ATTENZIONE

Indica una situazione in cui possono verificarsi lesioni lievi o danni al prodotto se non vengono seguite le istruzioni.

⚠ AVVERTENZA

Indica un pericolo che può causare lesioni gravi o mortali se non vengono seguite le precauzioni.

MISURE DI SICUREZZA IMPORTANTI

⚠ AVVERTENZA

L'elettrodomestico è progettato per l'uso interno.

⚠ AVVERTENZA

Tenere libere da ostruzioni le aperture di ventilazione sulla custodia dell'elettrodomestico o nella struttura integrata.

⚠ AVVERTENZA

Non conservare sostanze esplosive come lattine di aerosol con propellente infiammabile in questa apparecchiatura.

⚠ AVVERTENZA

Questo elettrodomestico contiene refrigerante infiammabile e deve essere maneggiato, installato, riparato e smesso da personale autorizzato. Una volta smesso, consultare le autorità locali per le istruzioni sullo smaltimento.

⚠ AVVERTENZA

Non danneggiare il circuito refrigerante.

⚠ AVVERTENZA

Non utilizzare apparecchiature elettriche all'interno degli scomparti per la conservazione dei cibi dell'elettrodomestico, a meno che non siano del tipo raccomandato dal produttore.

⚠ AVVERTENZA

Questo elettrodomestico può essere utilizzato da bambini di età superiore a 8 anni e da persone con ridotte capacità fisiche, sensoriali o mentali o prive dell'esperienza e delle competenze necessarie, a condizione che abbiano ricevuto supervisione o istruzioni adeguate per un utilizzo sicuro dell'elettrodomestico e che ne abbiano compreso i potenziali pericoli. I bambini non devono giocare con l'elettrodomestico. Le operazioni di pulizia e manutenzione non devono essere eseguite da bambini senza la necessaria supervisione. Ai bambini di età compresa tra 3 e 8 anni è consentito caricare e scaricare gli apparecchi di refrigerazione per uso domestico.

MISURE DI SICUREZZA IMPORTANTI

⚠ AVVERTENZA



Questo simbolo indica rischio di incendio/
materiali infiammabili.

⚠ AVVERTENZA

Per ridurre al minimo il rischio di incendio dovuto a installazione, parti di ricambio o procedure di assistenza improprie, solo i tecnici della refrigerazione con formazione sui refrigeranti infiammabili che sono consapevoli dei pericoli derivanti dall'utilizzo di elettricità ad alta tensione e refrigerante sotto pressione possono lavorare su questo elettrodomestico.

⚠ ATTENZIONE

Gli elettrodomestici che non sono dotati di un compartimento a quattro stelle non sono ideali per congelare gli alimenti.

⚠ ATTENZIONE

Per evitare la contaminazione degli alimenti, rispettare le seguenti precauzioni:

- Pulire regolarmente le superfici che vengono a contatto con gli alimenti e i sistemi di drenaggio accessibili.
- Pulire i dispenser dell'acqua e del ghiaccio che non sono stati utilizzati per 48 ore. Scaricare ed eliminare il ghiaccio e l'acqua che non sono stati utilizzati per più di cinque giorni.
- Evitare che carni e pesci crudi vengano a contatto con altri alimenti all'interno del frigorifero. Conservarli in contenitori adatti.
- I compartimenti a uno, due e tre stelle non sono ideali per congelare alimenti freschi.
- I compartimenti per alimenti congelati a due stelle sono ideali per la conservazione di alimenti pre-congelati, la conservazione o la produzione di gelato e la produzione di cubetti di ghiaccio.
- Se l'apparecchio di refrigerazione per uso domestico viene lasciato vuoto per lunghi periodi di tempo, spegnere, scongelare, pulire, asciugare e lasciare aperta la porta per impedire la proliferazione di muffe all'interno dell'elettrodomestico.

MISURE DI SICUREZZA IMPORTANTI

⚠ AVVERTENZA

Non utilizzare dispositivi meccanici o mezzi di altro tipo per accelerare il processo di scongelamento diversi da quelli raccomandati dal produttore.

⚠ ATTENZIONE

I fabbricatori di ghiaccio integrati devono essere montati dal produttore o dal suo agente di servizio.

⚠ AVVERTENZA

Non esporre l'elettrodomestico alla pioggia.

NOTA IMPORTANTE: Lasciare aperte porte o cassette per un periodo di tempo prolungato comporta un aumento della temperatura all'interno dell'elettrodomestico.

⚠ AVVERTENZA

PERICOLO: Rischio di intrappolamento dei bambini. Prima di buttare via il vecchio frigorifero o congelatore, togliere le porte e lasciare i ripiani e i divisori dei cassetti in posizione in modo che i bambini non possano arrampicarsi facilmente all'interno.

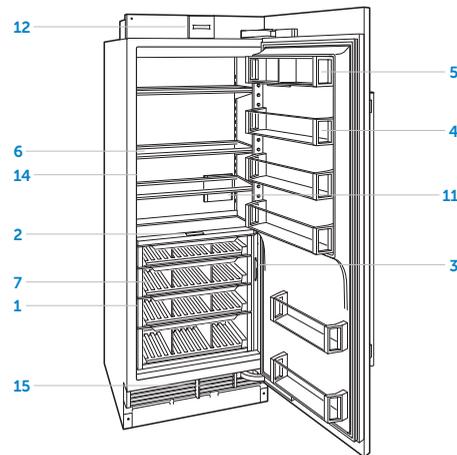
Questo elettrodomestico è destinato all'uso in applicazioni di tipo domestico e simili, quali:

- aree destinate alla cucina del personale in negozi, uffici e altri ambienti di lavoro
- agriturismi e da parte di clienti in hotel, motel e altri ambienti residenziali
- ambienti tipo bed and breakfast
- catering ed altre applicazioni simili non al dettaglio

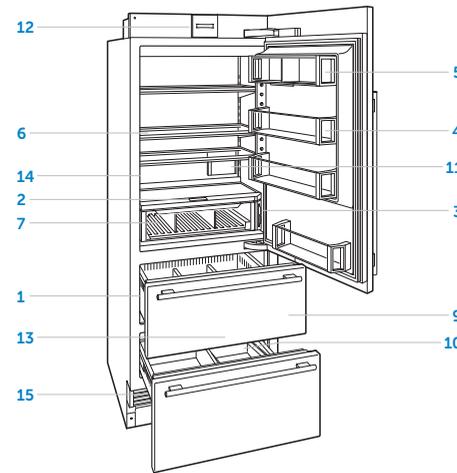
Caratteristiche della serie design

CARATTERISTICHE

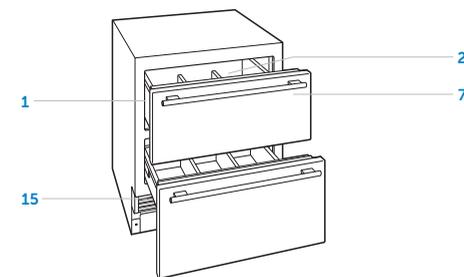
- 1 Targhetta identificativa del prodotto
- 2 Pannello di controllo tattile
- 3 Schede sulla freschezza
- 4 Ripiani per porta regolabili
- 5 Compartimento per latticini ribaltabile
- 6 Ripiani per frigo
- 7 Cassetti portavivande frigorifero
- 8 Ripiani per freezer
- 9 Cassetti portavivande freezer
- 10 Contenitore del ghiaccio rimovibile
- 11 Sistema di purificazione dell'aria
- 12 Sistema di filtrazione dell'acqua
- 13 Fabbricatore di ghiaccio automatico (modelli con fabbricatore di ghiaccio)
- 14 Dispenser dell'acqua interno (modelli con dispenser)
- 15 Condensatore (dietro la griglia)



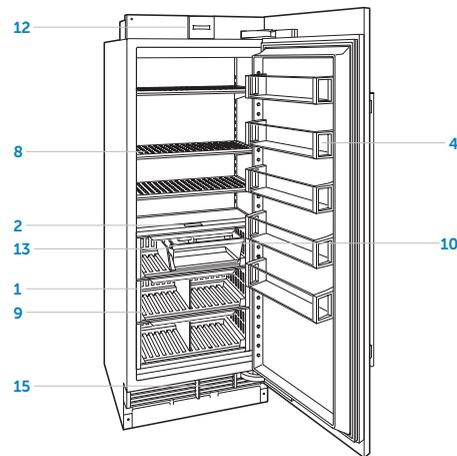
Frigorifero a colonna intera



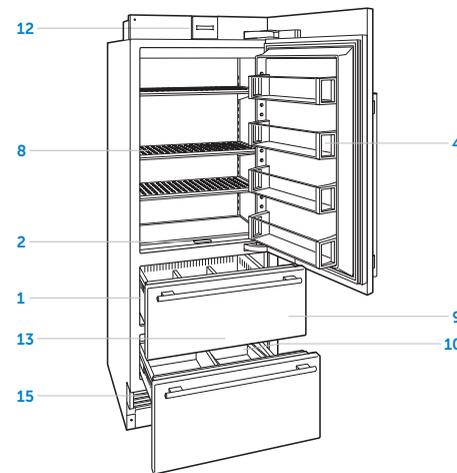
Combinazione alta



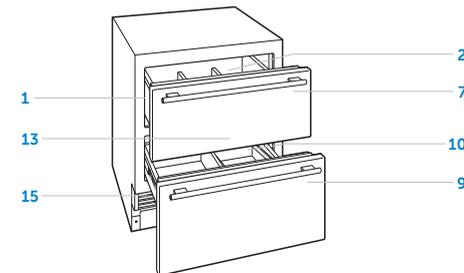
Frigorifero a cassetti



Freezer a colonna intera



Freezer altezza intera



Combinazione con cassetti

Comandi tattili

Pannello di controllo tattile

Per l'avvio iniziale, toccare e tenere premuto  sul pannello di controllo per 2 secondi.

Le temperature consigliate sono preimpostate a -18°C per un freezer e a 3°C per un frigorifero. È possibile regolare le temperature con incrementi di un grado. I modelli a combinazione hanno due zone di temperatura.

Per regolare la temperatura:

- 1 Toccare la temperatura da regolare.
- 2 Toccare + o - fino a quando non viene visualizzata la temperatura desiderata. Fare riferimento alla figura riportata di seguito.

Per regolare le impostazioni aggiuntive, toccare  sul pannello di controllo. Fare riferimento alla figura riportata di seguito.



Schermata home a doppia zona



Schermata home a singola zona

IMPOSTAZIONI

	Regola la temperatura e l'umidità del cassetto per frigorifero
	Attiva o disattiva il fabbricatore di ghiaccio e la funzione max ice
	Accende o spegne il purificatore d'aria
	Regola l'illuminazione da debole ad accentuata (se applicabile)
	Attiva o disattiva la modalità notte
	Attiva o disattiva il dispenser
	Attiva o disattiva l'allarme della porta e regola la durata
	Regola il volume e il tono dell'allarme della porta
	Attiva o disattiva il promemoria del filtro dell'acqua
	Accende o spegne l'unità.
	Attiva o disattiva Sabbath (Giorno sabbatico)
	Regola le unità di misura della temperatura
	Seleziona la lingua
	Informazioni di sistema
	Visualizza la risoluzione dei problemi e le informazioni di servizio

Conservazione

Dual Refrigeration®

Questa unità Sub-Zero è caratterizzata da un sistema Dual Refrigeration® unico per mantenere gli alimenti freschi più a lungo.

Grazie al sistema Sub-Zero Dual Refrigeration®, i sistemi che prevedono la separazione di frigorifero e freezer sono stati progettati per mantenere le temperature costanti e adeguate e i corretti livelli di umidità per allungare in modo significativo la durata degli alimenti. Dual Refrigeration® elimina il trasferimento di odori degli alimenti freschi agli alimenti congelati o al ghiaccio e fa sì che l'umidità che si forma nell'aria nel vano dei cibi freschi non si congeli.

Conservazione nel frigorifero

RIPIANI DELLA PORTA REGOLABILI

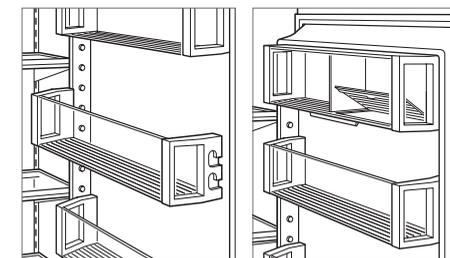
Per riposizionare un ripiano della porta o un compartimento per latticini:

- 1 Per rimuoverli, sollevare il ripiano dal fondo e farlo scorrere. Fare riferimento alla figura riportata di seguito.
- 2 Per montarli, collocarli nella posizione desiderata e far scorrere il ripiano verso il basso sulle guide.

NOTA IMPORTANTE: se l'apertura della porta è limitata a 90° può essere necessario dover rimuovere i ripiani prima di asportare un cassetto o un ripiano in vetro.

COMPARTIMENTO PER LATTICINI RIBALTABILE

Il fondo del compartimento per latticini ruota verso l'alto per posizionare gli articoli più alti sotto. Per modelli senza divisori verticali nel compartimento, tutto il fondo ruota verso l'alto. Per modelli con un divisore verticale, una sezione ruota verso l'alto. Fare riferimento alla figura riportata di seguito.



Rimozione dei ripiani della porta

Compartimento per latticini ribaltabile

Conservazione nel frigorifero

RIPIANI IN VETRO

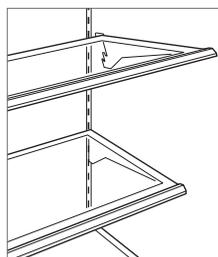
Per riposizionare un ripiano in vetro:

- 1 Per rimuoverlo, inclinare il ripiano verso l'alto, quindi sollevarlo ed estrarlo. Fare riferimento alla figura riportata di seguito.
- 2 Per installarlo, inserire il ripiano nelle tracce lungo la parete posteriore, abbassare quindi la parte anteriore fino a quando non si blocca in posizione.

NOTA IMPORTANTE: prestare attenzione con i ripiani in vetro, per impedire che si rompano o che graffino l'interno dell'unità

⚠ ATTENZIONE

I ripiani in vetro vanno lasciati a temperatura ambiente prima di immergerli in acqua calda.



Rimozione dei ripiani in vetro

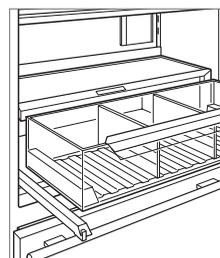
CASSETTI DI CONSERVAZIONE DEL FRIGORIFERO

Per rimuovere e montare un cassetto per frigorifero:

- 1 Per rimuoverlo, aprirlo finché non si arresta.
- 2 Sollevare leggermente la parte anteriore del cassetto, quindi tirare in avanti. Fare riferimento alla figura riportata di seguito.
- 3 Per inserirlo, estrarre i binari del cassetto e allineare il fondo del cassetto con i binari.
- 4 Far scorrere nuovamente il cassetto in posizione.

Per riposizionare un divisore per cassette del frigorifero:

- 1 Per rimuoverlo, tirare il divisore in avanti.
- 2 Per inserirlo, allineare le linguette sul divisore alle tacche nel cassetto e spingere verso il basso.



Rimozione del cassetto per frigorifero

Cassetti per la conservazione

VANO COPERCHIO SALVAFRESCHENZA.

Il coperchio salvafreschezza nel cassetto di conservazione superiore può essere chiuso, lasciato aperto o rimosso.

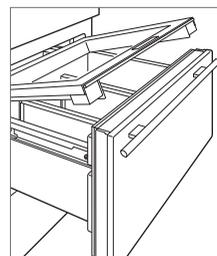
Per rimuovere il coperchio salvafreschezza:

- 1 Estrarre completamente il cassetto di conservazione superiore.
- 2 Sollevare il bordo anteriore del coperchio salvafreschezza e tirarlo in avanti per estrarlo dal cassetto. Fare riferimento alla figura riportata di seguito.

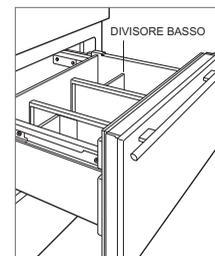
DIVISORI PER CASSETTI

Per riposizionare il divisore per cassette:

- 1 Per spostare un divisore basso, far scorrere il divisore in avanti e all'indietro. Fare riferimento alla figura riportata di seguito.
- 2 Solo per cassette larghi 30" e 36", può essere regolato un divisore alto nel cassetto. Per rimuovere un divisore alto, tirarlo verso l'alto finché non si ferma, ruotare in senso antiorario, quindi tirare verso l'alto.
- 3 Per installare un divisore alto, allinea le scanalature con le linguette del cassetto, ruotare in senso orario, quindi far scorrere verso il basso.



Vano coperchio salvafreschezza



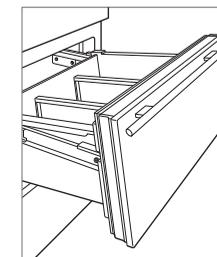
Divisori per cassette

RIMOZIONE DEI CASSETTI

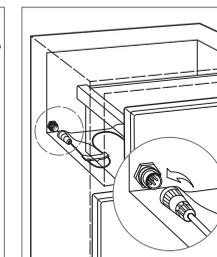
Per rimuovere/installare un cassetto per la conservazione:

- 1 Per rimuoverlo, aprirlo finché non si arresta. Sollevare leggermente la parte anteriore del cassetto ed estrarlo. Fare riferimento alla figura riportata di seguito.
- 2 Per l'installazione, sollevare la parte anteriore del cassetto e posizionarlo sui binari scorrevoli. Allineare il retro del cassetto con ganci sul binario scorrevole, quindi allineare i pioli bianchi nella parte anteriore del binario con i fori nella parte anteriore del cassetto.

NOTA IMPORTANTE: nei modelli sottopiano a cassette, il cassetto superiore è dotato di un cavo di controllo che deve essere disconnesso prima di rimuovere il cassetto. Fare riferimento alla figura riportata di seguito.



Rimozione dei cassette.



Cavo di controllo (modello con cassette)

Conservazione in freezer

CASSETTI DI CONSERVAZIONE DEL FREEZER

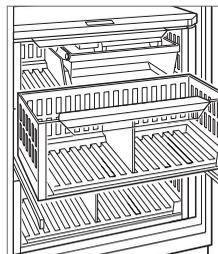
Per rimuovere il cassetto del freezer:

- 1 Aprire il cassetto finché non si arresta.
- 2 Individuare le due linguette di plastica nella parte anteriore del cassetto dietro gli angoli inferiori.
- 3 Tirare le linguette in avanti, quindi sollevarle ed estrarle. Fare riferimento alle figure qui di seguito.

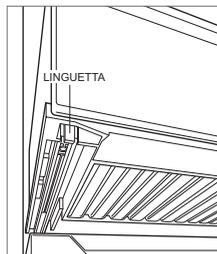
Se l'apertura della porta è limitata a 90° il cassetto superiore deve essere rimosso prima del cassetto centrale o inferiore.

Per installare il cassetto del freezer.

- 1 Premere le guide dei cassetti.
- 2 Allineare il cassetto con le guide e spingere finché non si arresta.
- 3 Spingere verso il basso sulla parte anteriore del cassetto per agganciare le guide.



Cassetto del freezer a colonna



Linguetta del cassetto del freezer

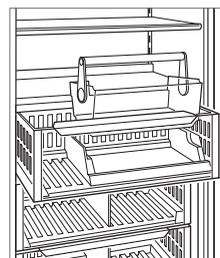
CONTENITORE DEL GHIACCIO

Per rimuovere il contenitore del ghiaccio (modello a colonna):

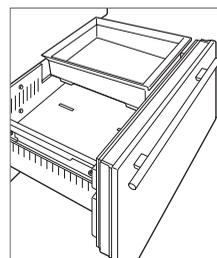
- 1 Aprire il cassetto per il freezer finché non si arresta.
- 2 Sollevare il contenitore del ghiaccio ed estrarlo. Fare riferimento alla figura riportata di seguito.

Per rimuovere il contenitore del ghiaccio (modelli alti e con cassetti):

- 1 Aprire il cassetto per il freezer finché non si arresta.
- 2 Sollevare il contenitore del ghiaccio ed estrarlo. Fare riferimento alla figura riportata di seguito.



Contenitore del ghiaccio modello a colonna



Contenitore del ghiaccio modello alto e con cassetti

Temperatura

CONTROLLO TEMPERATURA

Per ottimizzare la conservazione degli alimenti, è possibile regolare la temperatura del cassetto per il frigorifero in modo automatico o manuale. Tutti i cassetti sono impostati alla stessa temperatura, e non è possibile regolarli singolarmente.

Modalità automatica—regola automaticamente la temperatura del cassetto per il frigorifero 2° al di sotto della temperatura impostata del frigorifero, ma non è possibile scendere al di sotto di 1°C.

Modalità manuale—regola manualmente il cassetto del frigorifero fino a 2° al di sopra o al di sotto della temperatura impostata per il frigorifero, ma non impostare una temperatura inferiore a 1°C o superiore a 6°C.

Per regolare la temperatura:

- 1 Toccare .
- 2 Toccare .
- 3 Toccare "A" o "M" per attivare l'una o l'altra modalità.
- 4 Toccare + o - per regolare la temperatura manualmente.

Umidità

CONTROLLO DELL'UMIDITÀ

Alcuni alimenti, in particolare le verdure, richiedono livelli di umidità maggiori per massimizzare la freschezza. Il livello di umidità del cassetto per il frigorifero è regolabile. Selezionare "Maggiore" per assicurarsi che i prodotti durino al massimo delle loro potenzialità. Tutti i cassetti sono impostati allo stesso livello, e non è possibile regolarli singolarmente.

Per regolare l'umidità:

- 1 Toccare .
- 2 Toccare .
- 3 Toccare  per attivare le varie impostazioni.

Sistema di purificazione dell'aria

Alcuni alimenti freschi producono gas etilene, un composto presente in natura che accelera la maturazione e il deterioramento degli alimenti. Se la vostra unità è dotata di un sistema di purificazione dell'aria, la cartuccia è stata installata in fabbrica ed è posizionata sulla parete posteriore del frigorifero.

Per attivare la purificazione dell'aria, toccare  sulla schermata opzioni.

⚠ AVVERTENZA

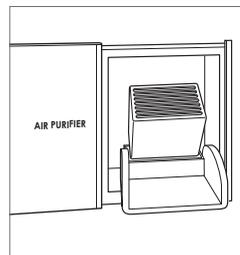
Questo elettrodomestico contiene un emettitore UV. Non fissare la fonte luminosa.

CARTUCCE DI PURIFICAZIONE DELL'ARIA

La cartuccia di purificazione dell'aria dura all'incirca un anno. "Snooze/Refresh" comparirà sul pannello di controllo quando sarà necessario sostituire la cartuccia. Toccare "Snooze" per rimandare il promemoria di 24 ore o fino a quando la cartuccia non sarà sostituita.

Per sostituire la cartuccia di purificazione dell'aria:

- 1 Per avere accesso alla cartuccia di purificazione dell'aria, far scorrere la porta verso sinistra.
- 2 Afferrare il coperchio nero dalla parte superiore e ruotare verso il basso. La cartuccia fuoriesce ed è possibile rimuoverla. Fare riferimento alla figura riportata di seguito.
- 3 Rimuovere la nuova cartuccia dall'imballaggio e inserirla con il connettore rivolto verso il basso.
- 4 Chiudere il coperchio nero, quindi far scorrere la porta verso destra.
- 5 Seguire le istruzioni visualizzate sul pannello di controllo. Il ciclo di vita della cartuccia si resetterà per circa un anno.



Cartucce di purificazione dell'aria

Sistema di filtrazione dell'acqua

Il sistema di filtrazione dell'acqua fornisce acqua filtrata al fabbricatore di ghiaccio e al distributore d'acqua (modelli con dispenser) per produrre acqua e ghiaccio di ottima qualità.

NOTA IMPORTANTE: quando si utilizza il sistema di filtrazione dell'acqua per la prima volta e dopo la sostituzione del filtro, è necessario eliminare l'aria dal sistema e consentire al filtro di pulire le linee dell'acqua. Per i modelli senza dispenser, scartare i primi due contenitori pieni di ghiaccio. Per i modelli con dispenser, erogare diversi bicchieri d'acqua per un periodo di due minuti.

Se il sistema di filtrazione dell'acqua non viene utilizzato, è possibile metterlo in modalità bypass del filtro dell'acqua rimuovendo il filtro.

FILTRO ACQUA

Il filtro dell'acqua è classificato per 1136 L (300 galloni) o un anno, a seconda dell'evento che si verifica per primo. "Snooze/Refresh" viene visualizzato sul pannello di controllo quando è necessario sostituire il filtro. Toccare "Snooze" per ritardare il promemoria di 24 ore o finché il filtro non può essere sostituito.

Per sostituire il filtro dell'acqua:

- 1 Per accedere al filtro dell'acqua, estrarre il bordo inferiore dello sportello di accesso e ruotarlo verso l'alto. Fare riferimento alla figura riportata di seguito.
- 2 Per rimuovere il vecchio filtro, ruotare di un quarto di giro in senso antiorario, quindi estrarlo. È normale che una piccola quantità d'acqua goccioli quando si rimuove il filtro. Dovrebbe essere asciugata con un tovagliolo di carta o un panno.
- 3 Estrarre il nuovo filtro dalla confezione e rimuovere il tappo di plastica.
- 4 Inserire il nuovo filtro nel collettore e ruotare in senso orario.
- 5 Una volta installato il nuovo filtro, seguire le istruzioni sul pannello di controllo. Il ciclo di vita del filtro verrà ripristinato per circa un anno.



Filtro dell'acqua

Fabbricatore di ghiaccio

Per azionare il fabbricatore di ghiaccio:

- 1 Per attivare il fabbricatore di ghiaccio, toccare  sullo schermo delle opzioni. Un cubetto singolo evidenziato indica che il fabbricatore di ghiaccio è attivo.  indica che la funzione ghiaccio massimo è attivata.
- 2 Per spegnere il fabbricatore di ghiaccio, toccare  fino a quando non vengono evidenziati i cubetti.

Dopo l'avvio iniziale, gettare i primi cubetti di ghiaccio poiché possono contenere impurità prodotte dalle connessioni delle nuove tubature.

La funzione max ice aumenta la produzione fino al 30% in più per un periodo di 24 ore. Durante tale periodo, alcuni componenti potrebbero funzionare a una velocità maggiore causando uno specifico segnale acustico. Questo è un fenomeno tipico che si arresta dopo circa 24 ore o quando il contenitore del ghiaccio si è riempito.

Il ghiaccio potrebbe fondersi tutto insieme se non viene utilizzato regolarmente. Per evitare tale inconveniente, gettare il ghiaccio e attendere che si formi del nuovo ghiaccio.

Disattivare il fabbricatore di ghiaccio se il contenitore del ghiaccio viene rimosso per un periodo di tempo prolungato. L'unità è fornita di un ritardo di tre minuti dopo la rimozione del contenitore del ghiaccio, per assicurare che i cubetti non vengano espulsi prima che il fabbricatore di ghiaccio possa essere disattivato o che il contenitore del ghiaccio sia installato.

Modalità notte

La modalità notte riduce automaticamente la luminosità della luce interna quando viene rilevata una bassa luminosità ambientale.  compare nell'angolo in alto a sinistra del display del pannello di controllo quando viene attivata la modalità notte.

 compare quando viene rilevata una bassa luminosità ambientale. La luminosità della luce interna rimane ridotta per tre minuti, anche se cambia la luminosità ambientale. Toccare  per aumentare la luminosità.

Per attivare o disattivare la modalità notte:

- 1 Toccare .
- 2 Toccare .

Sabbath (Giorno sabbatico)

Questo elettrodomestico è certificato da Star-K per soddisfare rigorose norme religiose e istruzioni specifiche contenute sul sito www.star-k.org.

La modalità Sabbath attiva automaticamente le luci interne a un livello di luminosità ridotto. Le luci rimangono accese quando la porta viene chiusa. Le luci non possono essere spente nella modalità Sabbath.

La modalità Sabbath si disattiva in automatico dopo 74 ore. Tutte le preferenze di illuminazione ritornano all'impostazione precedente quando la modalità Sabbath viene disattivata.

Per attivare la modalità Sabbath:

- 1 Toccare .
- 2 Toccare e tenere premuto  per 3 secondi.

Per disattivare la modalità Sabbath:

- 1 Toccare e tenere premuto  fino a 10 secondi.

Dispenser acqua

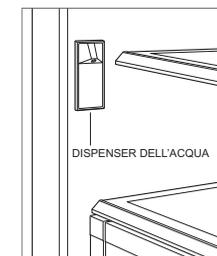
Il serbatoio dell'acqua interno da 1 litro deve riempirsi prima che l'acqua fluisca nel dispenser. Premere e tenere premuta la leva del dispenser dell'acqua fino a 60 secondi, finché non viene erogata l'acqua.

Sono necessarie diverse ore per raffreddare l'acqua alla temperatura del frigorifero durante il primo riempimento o dopo aver usato molta acqua.

Una funzione di sicurezza è incorporata nell'erogatore per limitare il flusso d'acqua continuo a 60 secondi.

Per erogare acqua:

- 1 Premere un bicchiere contro l'erogatore per attivare il flusso d'acqua. Fare riferimento alla figura riportata di seguito.
- 2 Il flusso d'acqua si interrompe quando il bicchiere viene rimosso.



Dispenser dell'acqua

Conservazione degli alimenti

Consigli per la conservazione degli alimenti—Per ridurre il rischio di deterioramento, minimizzare la manipolazione degli alimenti. Conservare frutta e verdura separatamente. Conservare le carni nella confezione originale; una volta aperta, riavvolgerla ermeticamente.

Gas etilene—Molti alimenti freschi producono gas etilene, un composto presente in natura che accelera la maturazione e il deterioramento degli alimenti. I frigoriferi Sub-Zero sono dotati di un sistema di purificazione dell'aria (basato sulla tecnologia sviluppata dalla NASA) che elimina l'aria di gas etilene e gli odori ogni 20 minuti. Per ridurre il deterioramento, non conservare frutta e verdura che producono etilene con gli alimenti sensibili all'etilene.

e* Indica un alimento che produce etilene.

e- Indica un alimento sensibile all'etilene.

Umidità—L'umidità ottimale varia per i diversi alimenti. Per mantenere gli alimenti freschi più a lungo, conservarli nelle aree indicate nelle seguenti tabelle.

ALIMENTO	ECODE	FRIGORIFERO	FREEZER
VERDURE FRESCHE			
Carciofi		1-2 settimane	Non è consigliato congelare le verdure fresche
Asparagi		2-3 settimane	
Germogli di fagiolo		7-9 giorni	
Fagioli (verdi o di Lima)	e-	7-10 giorni	
Barbabietole senza foglie		3-4 mesi	
Cavolo cinese	e-	3 settimane	
Broccoli	e-	1-2 settimane	
Cavolo	e-	3-6 settimane	
Carote	e-	1-5 mesi	
Cavolfiore	e-	3-4 settimane	
Sedano		1-2 mesi	
Cereali		5-8 giorni	
Cetrioli	e-	10-14 giorni	
Melanzana*	e-	1-2 settimane	
Erbe fresche	e-	1-3 settimane	
Aglio*		6-7 mesi	
Zenzero*		6 mesi	
Patata messicana*		1-2 mesi	
Cavolo verza	e-	1-2 mesi	
Porri		2 mesi	
Lattuga	e-	2-3 settimane	
Funghi		1-2 settimane	
Cipolle		1-6 mesi	
Prezzemolo	e-	1-2 mesi	
Piselli (dolci, taccole)	e-	1-2 settimane	
Pepi (peperoni o peperoncino)	e-	2-3 settimane	
Patate*		5-10 mesi	
Ravanelli		1-2 mesi	
Scalogni		6 mesi	
Spinaci	e-	10-14 giorni	
Zucca (buccia morbida)	e-	1-2 settimane	
Tamarillo		7-10 giorni	
Castagne d'acqua		2-4 mesi	

*Non mettere in frigo.

ALIMENTO	ECODE	FRIGORIFERO	FREEZER
FRUTTA FRESCA			
Mele	e*	1-2 mesi	Non è consigliato congelare la frutta fresca
Albicocche	e*	1-2 settimane	
Avocado ¹	e*	2-4 settimane	
Banane*	e-	1-4 settimane	
Mirtilli		10-18 giorni	
Cantalupo	e*	2-3 settimane	
Ciliegie		2-3 settimane	
Fichi	e*	7-10 giorni	
Pompelmo		6-8 settimane	
Uva		2-3 settimane	
Melone	e-	3-4 settimane	
Kiwi	e-	4-6 settimane	
Limoni		1-6 mesi	
Lime		6-8 settimane	
Mango ¹	e*	2-3 settimane	
Pesche nettarine	e*	2-4 settimane	
Arance		3-8 settimane	
Pesche		2-4 settimane	
Pere ¹	e*	2-3 settimane	
Ananas		2-4 settimane	
Prugne	e*	2-5 settimane	
Lamponi		3-6 giorni	
Fragole		7-10 giorni	
Pomodori*	e*	1-3 settimane	

UOVA E SALUMI

Uova (fresche)		3 settimane	Non è consigliato congelare le uova e i salumi
Sostituti delle uova (aperti)		3 giorni	
Insalata di uovo, tonno o prosciutto		3-5 giorni	
Insaccati, affettati finemente		1-2 giorni	

¹Non mettere in frigo. ²Lasciare maturare sul bancone della cucina prima di mettere in frigo.

ALIMENTO	ECODE	FRIGORIFERO	FREEZER
ZUPPA			
Spezzatino di carne		3-4 giorni	2-3 mesi
Zuppa di verdure		3-4 giorni	2-3 mesi
CARNE, PESCE E POLLAME			
Bacon		7 giorni	1 mese
Bistecche di manzo, arrosto		3-5 giorni	6-12 mesi
Pesce azzurro, persico		2 giorni	2-3 mesi
Carne in scatola		5-7 giorni	1 mese
Cosciotto (intero)		7 giorni	1-2 mesi
Hamburger		1-2 giorni	3-4 mesi
Piatti a base di carne (cotti)		3-4 giorni	2-3 mesi
Costolette di maiale e di vitello		3-5 giorni	4-6 mesi
Pollame (cotto)		3-4 giorni	4-6 mesi
Pollame (crudo)		1-2 giorni	9 mesi
Salmona, sgombrò		4 giorni	5-9 mesi
Salsiccia (cruda)		1-2 giorni	1-2 mesi
Gamberi		1 giorno	6 mesi
Cotiche affumicate, pasticci		7 giorni	1-2 mesi
LATTICINI			
Burro		3 mesi	1 anno
Formaggi freschi		1-2 settimane	4 settimane
Formaggio spalmabile		2 settimane	Non consigliato
Formaggi stagionati		3-4 settimane	6-8 mesi
Latte intero o scremato		1-2 settimane	Non consigliato
Yogurt		1 mese	Non consigliato

Pulizia

ESTERNO IN ACCIAIO INOSSIDABILE

Applicare un detergente per acciaio inox non abrasivo utilizzando un panno morbido privo di lanugine. Per far risaltare la lucentezza naturale, pulire delicatamente la superficie con un panno in microfibra umido e poi con un apposito panno di camoscio asciutto. Seguire sempre la trama dell'acciaio inossidabile.

PULIZIA DEGLI INTERNI

Per pulire le superfici interne e le parti rimovibili, lavare in una soluzione di detersivo neutro, acqua e un cucchiaino di bicarbonato. Sciacquare e asciugare bene. Evitare di far passare acqua sulle luci e sul pannello di controllo.

⚠ ATTENZIONE

Non usare aceto, alcol o altri detersivi a base di alcol sulle superfici interne.

VACANZE

Per vacanze estive, spegnere l'alimentazione dal pannello di controllo. Svuotare l'unità e bloccare le porte leggermente aperte per far entrare l'aria fresca e tenere l'interno asciutto. Il filtro dell'acqua deve essere sostituito prima dell'avvio.

PULIZIA DEL CONDENSATORE

⚠ ATTENZIONE

Prima di pulire il condensatore, spegnere l'alimentazione dal pannello di controllo. Indossare guanti per evitare lesioni causate dalle lamelle appuntite del condensatore.

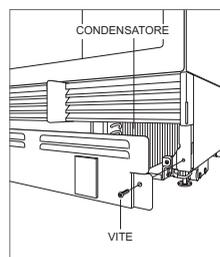
Il condensatore si trova dietro lo zoccolo. Pulire il condensatore ogni sei-dodici mesi.

Per pulire il condensatore:

- 1 Spegnere l'alimentazione dal pannello di controllo.
- 2 Rimuovere lo zoccolo estraendo le due viti di montaggio. Fare riferimento alla figura riportata di seguito.
- 3 Usare una spazzola morbida e un aspirapolvere per togliere polvere e lanugine dal condensatore.

⚠ ATTENZIONE

La mancata pulizia del condensatore potrebbe causare un calo della temperatura, guasti meccanici o danni.



Posizione del condensatore

Risoluzione dei problemi

FUNZIONAMENTO UNITÀ

Nessuna luce o refrigerazione.

- 1 Verificare che l'alimentazione sia attiva.
- 2 Verificare che l'interruttore dell'unità e l'interruttore elettrico dell'abitazione siano accesi.

Nessuna luce nel frigorifero o nel freezer.

- 1 La porta/cassetto potrebbero essere stati lasciati socchiusi, disabilitando le luci per eliminare il calore in eccesso. Se le luci sono spente, chiudere la porta/cassetto per un'ora. Se le luci restano ancora spente, contattare un centro autorizzato Sub-Zero.
- 2 L'illuminazione interna a LED deve essere sostituita da un centro autorizzato Sub-Zero.

Nessuna luce nel ripiano per il frigorifero.

- 1 Verificare che il ripiano sia montato correttamente nelle tracce lungo la parete posteriore.
- 2 Verificare che non ci sia niente (un contenitore o un alimento alto) che impedisca l'inserimento del ripiano nelle tracce lungo la parete posteriore.

Formazione di brina, condensa o ghiaccio all'interno dell'unità.

- 1 Verificare che il condensatore sia pulito.
- 2 Verificare che la porta/cassetto si chiudano correttamente.
- 3 Verificare che la porta/cassetto non siano stati lasciati socchiusi.
- 4 Verificare che la guarnizione della porta/cassetto non presenti lacerazioni o strappi. In tal caso, rivolgersi a un centro di assistenza autorizzato Sub-Zero.
- 5 Se la brina è molto consistente, spegnere l'unità e utilizzare un asciugacapelli per scioglierla. L'asciugacapelli dovrebbe essere impostato su una temperatura bassa e mosso tutto il tempo. Una volta sciolta la brina, asciugare l'acqua con un panno o con carta assorbente.

Alte temperature, l'unità è in sovraccarico oppure rilascia troppo calore.

- 1 Verificare che il condensatore sia pulito.
- 2 Verificare che la porta/cassetto si chiudano correttamente.
- 3 Verificare che la porta/cassetto non siano stati lasciati socchiusi.
- 4 Un aumento della temperatura ambientale potrebbe causare un funzionamento prolungato dei compressori.
- 5 Se la temperatura mostra -18°C e 3°C , ma l'unità non raffredda, potrebbe essere in modalità showroom. Rivolgersi a un centro di assistenza autorizzato Sub-Zero.

Non esce acqua dal dispenser.

- 1 Attendere un'ora, quindi riprovare. Se il problema non si risolve, contattare un centro autorizzato Sub-Zero.

Risoluzione dei problemi

FORMAZIONE DI GHIACCIO

Niente ghiaccio.

- 1 Verificare che l'indicatore dei cubetti di ghiaccio compaia sul display del pannello di controllo.
- 2 Verificare che il fabbricatore di ghiaccio sia rimasto attivo per almeno 24 ore.
- 3 Verificare che la temperatura del freezer sia vicina a -18°C.
- 4 Verificare che il contenitore del ghiaccio sia montato correttamente.
- 5 Verificare che il braccio del fabbricatore di ghiaccio sia in posizione abbassata.
- 6 Verificare che l'unità riceva alimentazione.
- 7 Verificare che il filtro dell'acqua sia stato sostituito negli ultimi 12 mesi e installato correttamente.
- 8 Verificare che il filtro dell'acqua sia stato rimosso se si utilizza un sistema di filtrazione ad osmosi inversa.

Ghiaccio blu o verde.

- 1 Possibile corrosione della linea di alimentazione in rame. Contattare un idraulico per la pulizia o la sostituzione.

Macchie nere nei cubetti.

- 1 Smettere l'utilizzo e contattare un centro autorizzato Sub-Zero.

Sapore cattivo.

- 1 Scongela il freezer e pulire con acqua e detergente.
- 2 Porre dei grani di caffè o pezzetti di carbone nel freezer per assorbire gli odori.

Cubetti cavi.

- 1 Pulire il condensatore. Se il problema non si risolve, contattare un centro autorizzato Sub-Zero.

ODORE

- 1 Pulire l'unità prima del primo utilizzo. Questo rimuoverà qualsiasi odore che possa essere rimasto intrappolato durante la spedizione.
- 2 Sostituire la cartuccia di purificazione dell'aria.
- 3 Pulire a fondo l'unità e i ripiani.
- 4 Coprire il cibo lasciato scoperto.

ASSISTENZA

- Mantenere la qualità integrata nel vostro prodotto, contattare un centro autorizzato Sub-Zero.
- Prima di contattare l'assistenza, individuare i numeri di modello e di serie dell'unità. Entrambi i numeri sono indicati sulla targhetta identificativa del prodotto. Consultare pagina 6 per la posizione dell'etichetta identificativa.
- Ai fini della garanzia sono inoltre necessari la data di installazione e il nome del rivenditore Sub-Zero autorizzato presso cui è stato effettuato l'acquisto. Tale informazione dovrebbe essere disponibile a pagina 2 della presente guida.

ASSISTENZA (SOLO PER L'AUSTRALIA)

- Si consiglia una manutenzione annuale.
- Mantenere la qualità integrata nel vostro prodotto, contattare un centro autorizzato Sub-Zero.
- Prima di contattare il centro di assistenza, accertarsi di avere a portata di mano il numero di modello e di serie dell'unità. Entrambi i numeri sono indicati sulla targhetta identificativa del prodotto. Consultare pagina 6 per la posizione dell'etichetta identificativa.
- Ai fini della garanzia sono inoltre necessari la data di installazione e il nome del rivenditore Sub-Zero autorizzato presso cui è stato effettuato l'acquisto. Tale informazione dovrebbe essere rintracciabile a pagina 2.
- Solo per l'Australia, contattare:
Sub-Zero Group Australia Pty Ltd
Level 10, 469 La Trobe Street
Melbourne Victoria 3000
Telefono 03 9600 2218
subzero-wolf.com.au

ASSISTENZA (SOLO PER IL REGNO UNITO)

- Sub-Zero & Wolf Ltd
9 The Street, Heybridge, Maldon, Essex, CM9 4XB
020 8418 3800
service@subzero-wolf.co.uk
www.subzero-wolf.co.uk

Garanzia

Garanzia limitata Internazionale Sub-Zero

PER USO DOMESTICO

GARANZIA COMPLETA DI DUE ANNI*

Per una durata di due anni a partire dalla data di installazione, la garanzia di questo prodotto Sub-Zero coprirà tutte le parti e tutti i lavori di riparazione o sostituzione, in condizioni di normale uso residenziale, di ogni parte del prodotto che presenti difetti di materiali o di produzione. Tutti i servizi forniti da Sub-Zero nell'ambito della garanzia di cui sopra devono essere eseguiti da Sub-Zero Factory Certified Service, salvo diversamente specificato da Sub-Zero, Inc. Il servizio sarà fornito durante il normale orario lavorativo.

GARANZIA TOTALE DI CINQUE ANNI SUL SISTEMA CHIUSO

Per una durata di cinque anni a partire dalla data di installazione, la garanzia sui prodotti Sub-Zero coprirà tutte le parti e tutti i lavori di riparazione o sostituzione, in condizioni di normale uso residenziale, di quelle parti del prodotto che presentino difetti di materiali o di produzione: compressore, condensatore, evaporatore, essiccatore e tutti i tubi di connessione. Tutti i servizi forniti da Sub-Zero nell'ambito della garanzia di cui sopra devono essere eseguiti da Sub-Zero Factory Certified Service, salvo diversamente specificato da Sub-Zero, Inc. Il servizio sarà fornito durante il normale orario lavorativo.

Per maggiori informazioni sulla garanzia dei prodotti Sub-Zero, contattate il vostro rivenditore Sub-Zero autorizzato. Le garanzie devono osservare le leggi di tutti i paesi, stati, città, località.

*L'acciaio inossidabile (porte, pannelli, maniglie, telaio del prodotto e superfici interne) è coperto da una garanzia limitata di 60 giorni su parti e manodopera per difetti cosmetici.

*La sostituzione dei filtri dell'acqua e delle cartucce di purificazione dell'aria non è coperta dalla garanzia del prodotto.



Garanzia Outdoor

Garanzia limitata internazionale Outdoor Sub-Zero*

PER USO DOMESTICO

GARANZIA COMPLETA DI UN ANNO**

Per una durata di un anno a partire dalla data di installazione, la garanzia sui prodotti Sub-Zero coprirà tutte le parti e tutti i lavori di riparazione o sostituzione, in condizioni di normale uso residenziale, di ogni parte del prodotto che presenti difetti di materiali o di produzione. Tutti i servizi forniti da Sub-Zero nell'ambito della garanzia di cui sopra devono essere eseguiti da Sub-Zero Factory Certified Service, salvo diversamente specificato da Sub-Zero, Inc. Il servizio sarà fornito durante il normale orario lavorativo.

GARANZIA TOTALE DI CINQUE ANNI SUL SISTEMA CHIUSO

Per una durata di cinque anni a partire dalla data di installazione, la garanzia sui prodotti Sub-Zero coprirà tutte le parti e tutti i lavori di riparazione o sostituzione, in condizioni di normale uso residenziale, di quelle parti del prodotto che presentino difetti di materiali o di produzione: compressore, condensatore, evaporatore, essiccatore e tutti i tubi di connessione. Tutti i servizi forniti da Sub-Zero nell'ambito della garanzia di cui sopra devono essere eseguiti da Sub-Zero Factory Certified Service, salvo diversamente specificato da Sub-Zero, Inc. Il servizio sarà fornito durante il normale orario lavorativo.

Per maggiori informazioni sulla garanzia dei prodotti Sub-Zero, contattate il vostro rivenditore Sub-Zero autorizzato. Le garanzie devono osservare le leggi di tutti i paesi, stati, città, località.

*Il prodotto deve essere destinato all'uso in ambiente esterno, come prescritto da modello e numero di serie.

**L'acciaio inossidabile (porte, pannelli, maniglie, telaio del prodotto e le superfici interne) è coperto da una garanzia limitata di 60 giorni su parti e manodopera per difetti cosmetici.

**I filtri dell'acqua e le cartucce di purificazione dell'aria sostitutivi non sono coperti dalla garanzia del prodotto.



Inhaltsverzeichnis

- 2 Designer-Serie Kühltechnik
- 3 Sicherheitshinweise
- 6 Merkmale der Designer-Serie
- 7 Berührungsbedienelemente
- 7 Lagerung
- 9 Produktbetrieb
- 12 Lebensmittelfrischhaltung
- 13 Pflegeempfehlungen
- 13 Fehlersuche
- 15 Sub-Zero-Garantie

Kundendienst

Die Modell- und Seriennummern sind auf dem Produkttypenschild aufgeführt. Die Typenschildposition ist auf Seite 6 angegeben. Für Garantiezwecke benötigen Sie außerdem das Datum der Installation und den Namen Ihres Sub-Zero-Vertragshändlers. Zeichnen Sie diese Informationen unten für zukünftige Nachschlagezwecke auf.

SERVICEINFORMATIONEN

Modellnummer _____

Seriennummer _____

Datum der Installation _____

Name des Kundendienstzentrums _____

Nummer des Kundendienstzentrums _____

Vertragshändler _____

Händlernummer _____

Wenn irgendwelche Arbeiten an Ihrem Produkt notwendig sind, ziehen Sie auf jeden Fall einen vom Sub-Zero-Werk zugelassenen Serviceanbieter hinzu.

Wichtiger Hinweis

Um eine möglichst sichere und effiziente Installation dieses Produkts zu gewährleisten, beachten Sie bitte die folgenden Arten hervorgehobener Informationen in der gesamten Anleitung:

WICHTIGER HINWEIS hebt Informationen hervor, die besonders wichtig sind.

▲ VORSICHT

Ist ein Hinweis auf eine Situation, die bei Nichtbeachtung der Anweisungen zu geringfügigen Personen- oder Sachschäden führen kann.

▲ WARNUNG

Benennt eine Gefahr, die zu einer ernsthaften Verletzung oder zum Tod führen kann, wenn die Vorsichtsmaßnahmen nicht eingehalten werden.

WICHTIGE SICHERHEITSVORKEHRUNGEN

⚠️ WARNUNG

Dieses Gerät ist nur für den nicht-gewerblichen Gebrauch bestimmt.

⚠️ WARNUNG

Lüftungsöffnungen im Gerätegehäuse oder im Einbauteil von Hindernissen frei halten.

⚠️ WARNUNG

Keine explosiven Stoffe wie Aerosoldosen mit brennbaren Treibmitteln in diesem Gerät lagern.

⚠️ WARNUNG

Dieses Gerät enthält brennbares Kältemittel und darf nur von autorisiertem Personal gehandhabt, installiert, gewartet und außer Betrieb genommen werden. Wenden Sie sich nach der Außerbetriebnahme an die örtlichen Behörden für Anweisungen zur Entsorgung.

⚠️ WARNUNG

Den Kühlkreislauf nicht beschädigen.

⚠️ WARNUNG

Außer den vom Hersteller empfohlenen Gerätetypen keine elektrischen Geräte in den Lebensmittellagerfächern des Geräts benutzen.

⚠️ WARNUNG

Dieses Gerät kann von Kindern ab 8 Jahren und von Personen mit eingeschränkten physischen, sensorischen oder mentalen Fähigkeiten oder fehlenden Erfahrungen/ Kenntnissen benutzt werden, wenn diese beaufsichtigt werden oder Anweisungen für die sichere Verwendung des Geräts erhalten haben und die damit zusammenhängenden Gefahren verstehen. Kinder dürfen nicht mit dem Gerät spielen. Reinigungs- und Wartungsarbeiten dürfen von Kindern nicht ohne Aufsicht durchgeführt werden. Kinder im Alter zwischen 3 und 8 Jahren dürfen Kühlgeräte be- und entladen.

WICHTIGE SICHERHEITSVORKEHRUNGEN

⚠️ WARNUNG



Dieses Symbol weist auf die Gefahr von Feuer/ brennbaren Materialien hin.

⚠️ WARNUNG

Um das Risiko einer Entzündung durch unsachgemäße Installation, Ersatzteile oder Wartungsverfahren zu minimieren, dürfen nur Kältetechniker an diesem Gerät arbeiten, die in der Anwendung brennbarer Kältemittel geschult und die sich der Gefahren im Umgang mit Hochspannungsstrom und unter Druck stehenden Kältemitteln bewusst sind.

⚠️ VORSICHT

Geräte ohne Vier-Sterne-Fach sind nicht zum Einfrieren von Lebensmitteln geeignet.

⚠️ VORSICHT

Zur Vermeidung von Lebensmittelkontamination ist Folgendes zu beachten:

- Mit Lebensmitteln in Kontakt kommende Oberflächen und zugängliche Entwässerungssysteme regelmäßig reinigen.
- Eis- und Wasserspender, die in den vergangenen 48 Stunden nicht verwendet wurden, reinigen. Eis und Wasser ablassen bzw. entsorgen, wenn das Eis und Wasser in den vergangenen fünf Tagen nicht verwendet wurde.
- Rohe Fleisch- und Fischprodukte nicht mit anderen Lebensmitteln im Kühlschrank in Berührung kommen lassen. Diese Produkte in geeigneten Behältern aufbewahren.
- Ein-, Zwei- und Drei-Sterne-Fächer sind nicht zum Einfrieren von frischen Lebensmitteln geeignet.
- Zwei-Sterne-Fächer sind zur Aufbewahrung von bereits eingefrorenen Lebensmitteln, zur Aufbewahrung oder Herstellung von Speiseeis und zur Herstellung von Eiswürfeln geeignet.
- Ein Kühlgerät, das für längere Zeit leer gelassen wird, ausschalten, abtauen, reinigen, trocknen und die Tür offen lassen, um die Bildung von Schimmel im Inneren des Geräts zu vermeiden.

WICHTIGE SICHERHEITSVORKEHRUNGEN

⚠️ WARNUNG

Zum Beschleunigen des Abtauens dürfen außer den vom Hersteller empfohlenen Geräten oder Mitteln keine mechanischen Vorrichtungen oder sonstigen Mittel verwendet werden.

⚠️ VORSICHT

Integrierte Eiswürfelbereiter müssen vom Hersteller oder autorisiertem Servicepersonal installiert werden.

⚠️ WARNUNG

Dieses Gerät nicht dem Regen aussetzen.

WICHTIGER HINWEIS: Wenn Türen oder Schubladen längere Zeit offen gelassen werden, erhöht dies die Temperatur im Inneren des Geräts.

⚠️ WARNUNG

GEFAHR: Gefahr des Einschließens von Kindern. Bevor Sie Ihren alten Kühl- oder Gefrierschrank wegwerfen, nehmen Sie die Türen ab und lassen Sie Regale und Schubladenteiler an Ort und Stelle, damit Kindern nicht leicht hineinklettern können.

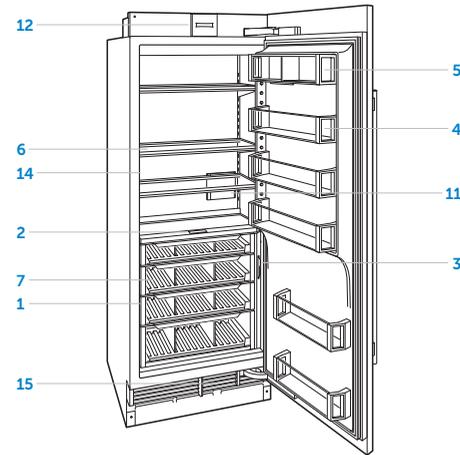
Dieses Gerät dient zur Verwendung in Haushalts- und ähnlichen Anwendungen, z. B.:

- in Personalküchen von Geschäften, Büros und anderen Arbeitsumgebungen
- in Bauernhöfen und von Gästen in Hotels, Motels und sonstigen Wohnumgebungen
- in Pensionen und ähnlichen Umgebungen
- in Catering- und ähnlichen Großküchenanwendungen

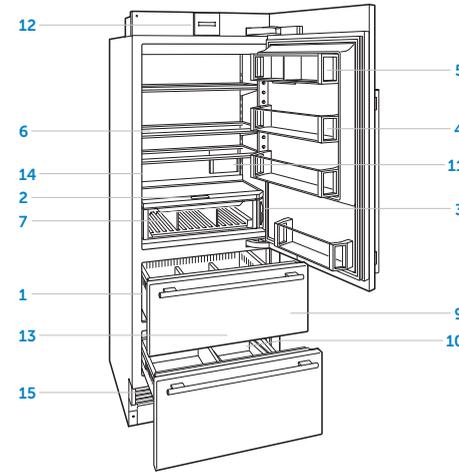
Merkmale der Designer-Serie

MERKMALE

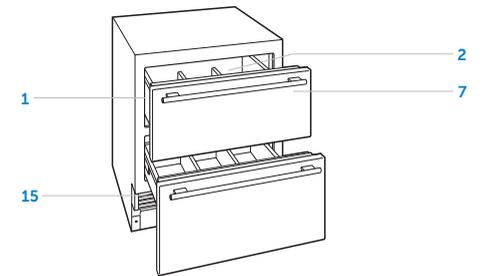
- 1 Produkttypenschild
- 2 Berührungsschaltblende
- 3 Frischekarten
- 4 Verstellbare Türregale
- 5 Hochklappbares Milchproduktefach
- 6 Kühlschrankregale
- 7 Kühlschrank-Lagerungsschubladen
- 8 Gefrierschrankregale
- 9 Gefrierschrank-Lagerungsschubladen
- 10 Herausnehmbarer Eisbehälter
- 11 Luftreinigungssystem
- 12 Wasserfiltrationssystem
- 13 Automatischer Eiswürfelbereiter (Modelle mit Eiswürfelbereiter)
- 14 Interner Wasserspender (Spendermodelle)
- 15 Kondensator (hinter Gitter)



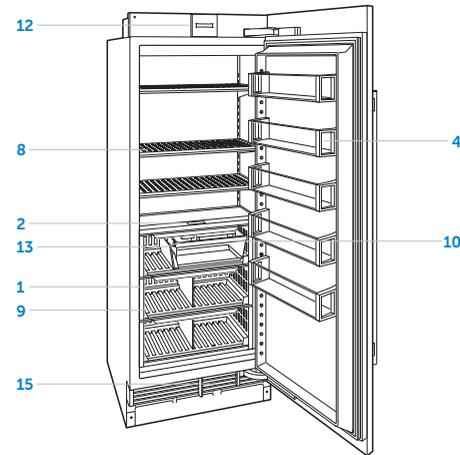
Kühlschrank als Säulenmodell



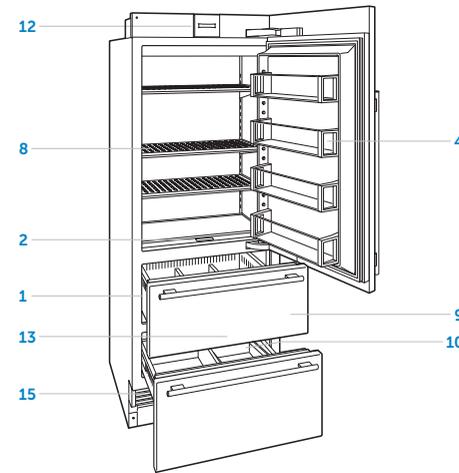
Hohe Kombination



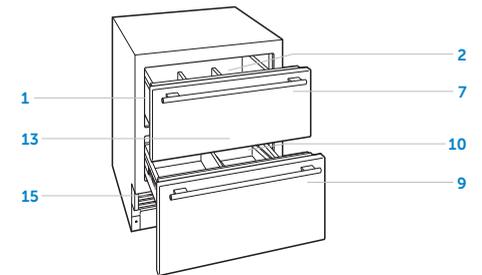
Kühlschrank Schubladenmodell



Gefrierschrank als Säulenmodell



Hohes Gefrierschrankmodell



Schubladenkombination

Berührungsschaltblende

Zum erstmaligen Einschalten auf dem Bedienfeld ① berühren und 2 Sekunden lang gedrückt halten.

Die empfohlenen Temperaturen sind für einen Gefrierschrank auf -18 °C und für einen Kühlschrank auf 3 °C voreingestellt. Die Temperaturen können in Schritten von einem Grad eingestellt werden. Das Kombinationsmodell verfügt über zwei Temperaturzonen.

So wird die Temperatur eingestellt:

- 1 Die einzustellende Temperatur berühren.
- 2 + oder – berühren, bis die gewünschte Temperatur angezeigt wird. Siehe Abbildung unten.

Zum Anpassen weiterer Einstellungen auf dem Bedienfeld  berühren. Siehe Abbildung unten.



Doppelzonen-Startdisplay



Einzelzonen-Startdisplay

EINSTELLUNGEN

-  Temperatur und Feuchtigkeit der Kühlschrankschubladen einstellen
-  Eiswürfelbereiter und Max-Eis-Funktion ein- oder ausschalten
-  Luftfilter ein- oder ausschalten
-  Weiche Beleuchtung und Akzentbeleuchtung einstellen (falls zutreffend)
-  Nachtbeleuchtungsmodus ein- oder ausschalten
-  Spender ein- oder ausschalten
-  Türalarm ein- oder ausschalten und Dauer einstellen
-  Lautstärke und Ton des Türalarms einstellen
-  Wasserfilter-Austauscherinnerung ein- oder ausschalten
-  Gerät ein- oder ausschalten
-  Sabbat ein- oder ausschalten
-  Temperatureinheiten einstellen
-  Sprache wählen
-  Systeminformationen
-  Informationen zur Fehlersuche und Wartung anzeigen

Dual Refrigeration®

Dieses Sub-Zero-Gerät ist mit einem speziellen Dual Refrigeration®-System ausgestattet, um Lebensmittel länger frisch zu halten.

In einem Sub-Zero Dual Refrigeration®-System sind die einzelnen Kühlschrank- und Gefrierschranksysteme so ausgelegt, dass zur Verlängerung der Lebensdauer von Lebensmitteln genaue, kontinuierliche Temperaturen und ein korrektes Feuchtigkeitsniveau aufrechterhalten werden. Dual Refrigeration® verhindert die Übertragung von Gerüchen, die von frischen Lebensmitteln ausgehen, auf Tiefkühlkost und Eis, und sorgt dafür, dass die Feuchtigkeit im Frischhaltefach aus der Luft nicht gefroren wird.

Lagerung im Kühlschrank

VERSTELLBARE TÜRREGALE

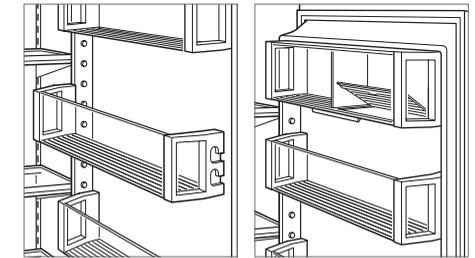
So wird ein Türregal oder Milchproduktefach neu positioniert:

- 1 Zum Entfernen das Regal von unten aus anheben und herausziehen. Siehe Abbildung unten.
- 2 Zum Einbauen das Regal in die gewünschte Position bringen und nach unten auf die Führungen schieben.

WICHTIGER HINWEIS: Wenn die Türöffnung auf 90° begrenzt ist, müssen eventuell zuerst die Türregale entfernt werden, bevor eine Lagerungsschublade bzw. ein Glasregal herausgenommen werden kann.

HOCHKLAPPBARES MILCHPRODUKTEFACH

Der Boden des Milchproduktefachs kann nach oben geschwenkt werden, damit größere Artikel daruntergestellt werden können. Bei Modellen ohne vertikale Teiler im Fach wird der gesamte Boden nach oben geschwenkt. Bei Modellen mit einem vertikalen Teiler wird nur ein Teil des Bodens nach oben geschwenkt. Siehe Abbildung unten.



Ausbauen eines Türregals

Hochklappbares Milchproduktefach

Lagerung im Kühlschrank

GLASREGALE

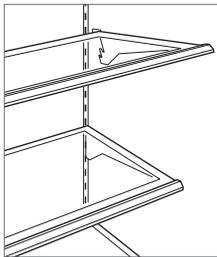
So wird ein Glasregal neu positioniert:

- 1 Zum Entfernen das Regal nach oben neigen und dann herausheben. Siehe Abbildung unten.
- 2 Zum Einbauen das Regal in die Schienen an der Rückwand einsetzen; dann den vorderen Teil absenken, bis das Regal in Position einrastet.

WICHTIGER HINWEIS: Beim Umgang mit den Glasregalen stets vorsichtig vorgehen, um ein Zerbrechen oder Verkratzen des Innenraums zu vermeiden.

▲ VORSICHT

Glasregale sollten sich zuerst auf Zimmertemperatur erwärmen, bevor sie in warmes Wasser eingetaucht werden.



Entfernen eines Glasregals

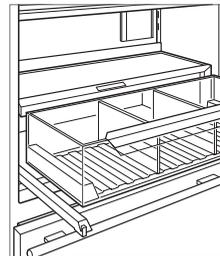
KÜHLSCHRANK-LAGERUNGSSCHUBLADEN

So wird eine Kühlschrankschublade aus- und eingebaut:

- 1 Zum Ausbauen die Schublade bis zum Anschlag herausziehen.
- 2 Den vorderen Teil der Schublade leicht anheben, dann gerade herausziehen. Siehe Abbildung unten.
- 3 Zum Einbauen den Schubladenträger herausziehen und die Unterseite der Schublade auf den Träger ausrichten.
- 4 Die Schublade wieder in Position schieben.

So wird ein Teiler in einer Kühlschrankschublade neu positioniert:

- 1 Zum Entfernen den Teiler gerade nach oben herausziehen.
- 2 Zum Einbauen die Laschen am Teiler auf die Kerben in der Schublade ausrichten und den Teiler nach unten drücken.



Entfernen einer Kühlschrankschublade

Lagerungsschubladen

ABDECKUNG DES FRISCHHALTEFACHS

Die Abdeckung des Frischhaltefachs in der oberen Lagerungsschublade kann in die geschlossene Position geschoben, offen gelassen oder entfernt werden.

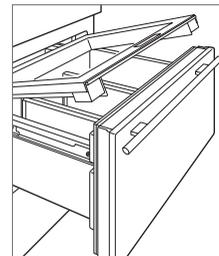
So wird das Frischhaltefach entfernt:

- 1 Die obere Lagerungsschublade ganz herausziehen.
- 2 Die Vorderkante des Frischhaltefaches anheben und nach vorne aus der Schublade herausziehen. Siehe Abbildung unten.

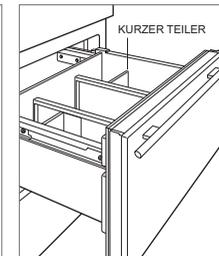
SCHUBLADENTEILER

So wird ein Teiler in einer Schublade neu positioniert:

- 1 Um einen kurzen Teiler zu bewegen, den Teiler nach vorne oder hinten schieben. Siehe Abbildung unten.
- 2 Nur für Schubladen, die 76 cm und 91 cm breit sind: Der lange Teiler in der oberen Schublade ist einstellbar. Um einen langen Teiler zu entfernen, den langen Teiler bis zum Anschlag ziehen, gegen den Uhrzeigersinn drehen und dann hochziehen.
- 3 Um einen langen Teiler zu installieren, die Rillen auf die Schubladenlaschen ausrichten, im Uhrzeigersinn drehen, dann hinunterschieben.



Abdeckung der Frischhalteschublade



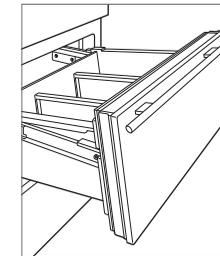
Schubladenteiler

AUSBAUEN DER SCHUBLADE

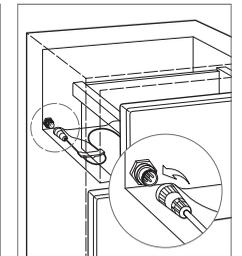
So wird eine Lagerungsschublade aus-/ eingebaut:

- 1 Zum Ausbauen die Schublade bis zum Anschlag herausziehen. Den vorderen Teil der Schublade leicht anheben und dann gerade herausziehen. Siehe Abbildung unten.
- 2 Zum Einbauen die Vorderseite der Schublade anheben und auf die Gleitschienen setzen. Die Rückseite der Schublade auf die Haken auf der Gleitschiene ausrichten, dann die weißen Stifte an der Vorderseite der Gleitschiene auf die Löcher an der Vorderseite der Schublade ausrichten.

WICHTIGER HINWEIS: Bei Schubladenmodellen ist die obere Schublade mit einem Steuerkabel ausgestattet, das vor dem Herausnehmen der Schublade abgetrennt werden muss. Siehe Abbildung unten.



Ausbauen der Schublade



Steuerkabel (Schubladenmodell)

Lagerung im Gefrierschrank

GEFRIERSCHRANK-LAGERUNGSSCHUBLADEN

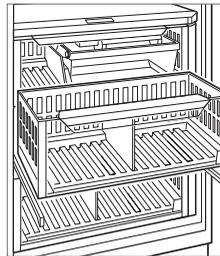
So wird eine Gefrierschrankschublade entfernt:

- 1 Die Schublade bis zum Anschlag herausziehen.
- 2 Die beiden Kunststoffflaschen an der Vorderseite der Schublade hinter den unteren Ecken ausfindig machen.
- 3 Die Laschen nach vorne, nach oben und herausziehen. Siehe die Abbildungen unten.

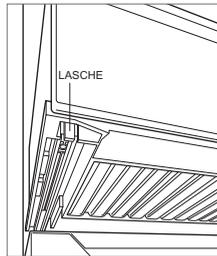
Wenn die Türöffnung auf 90° begrenzt ist, muss die obere Schublade entfernt werden, bevor die mittlere oder untere Schublade entfernt wird.

So wird eine Gefrierschrankschublade eingesetzt:

- 1 Die Schubladenführungen einschieben.
- 2 Die Schublade auf die Führungen ausrichten und bis zum Anschlag hineinschieben.
- 3 Die Schublade vorne nach unten drücken, um die Führungen einrasten zu lassen.



Gefrierschrankschublade Säulenmodell



Lasche einer Gefrierschrankschublade

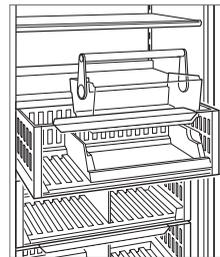
EISBEHÄLTER

So wird der Eisbehälter entfernt (Säulenmodell):

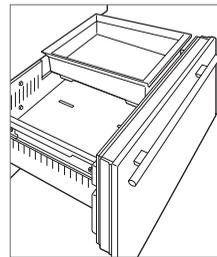
- 1 Die Gefrierschrankschublade bis zum Anschlag herausziehen.
- 2 Den Eisbehälter herausheben. Siehe Abbildung unten.

So wird der Eisbehälter entfernt (Hohe und Schubladenmodelle):

- 1 Die Gefrierschrankschublade bis zum Anschlag herausziehen.
- 2 Den Eisbehälter herausheben. Siehe Abbildung unten.



Eisbehälter Säulenmodell



Eisbehälter Hohes und Schubladenmodell

Temperatur

TEMPERATURREGELUNG

Die Temperatur der Kühlschrankschubladen kann automatisch oder manuell eingestellt werden, um die Lebensmittelfrischhaltung zu optimieren. Dabei werden alle Schubladen auf dieselbe Temperatur eingestellt; die Temperatur einzelner Schubladen ist nicht individuell einstellbar.

Automatischer Modus – Die Temperatur der Kühlschrankschubladen wird automatisch auf 2° unter der für den Kühlschrank eingestellten Temperatur eingestellt, jedoch nicht unter 1 °C.

Manueller Modus – Ermöglicht die manuelle Einstellung der Temperatur der Kühlschrankschubladen auf bis zu 2° über oder unter der für den Kühlschrank eingestellten Temperatur, jedoch nicht unter 1 °C oder über 6 °C.

So wird die Temperatur eingestellt:

- 1 berühren.
- 2 berühren.
- 3 „A“ oder „M“ berühren, um zwischen den Modi umzuschalten.
- 4 + oder – berühren, um die Temperatur manuell anzupassen.

Feuchtigkeit

FEUCHTIGKEITSREGELUNG

Manche Lebensmittel, insbesondere Gemüse, erfordern eine höhere Luftfeuchtigkeit, um ihre Frische zu maximieren. Der Feuchtigkeitsgrad der Kühlschrankschubladen ist einstellbar. Durch Auswahl von „Enhanced“ (Höhere Luftfeuchtigkeit) kann die Frischhaltung von Obst und Gemüse optimiert werden. Dabei werden alle Schubladen auf dieselbe Feuchtigkeit eingestellt; die Feuchtigkeit einzelner Schubladen ist nicht individuell einstellbar.

So wird die Feuchtigkeit eingestellt:

- 1 berühren.
- 2 berühren.
- 3 berühren, um zwischen den Einstellungen umzuschalten.

Luftreinigungssystem

Zahlreiche frische Lebensmittel geben Ethylengas ab, eine natürlich vorkommende Verbindung, die die Reifung und den Verderb von Lebensmitteln beschleunigt. Wenn Ihr Gerät mit einem Luftreinigungssystem ausgestattet ist, wurde die Kassette ab Werk installiert und befindet sich an der Rückwand des Kühlschranks.

Zum Einschalten der Luftreinigung  auf dem Optionsbildschirm berühren.

⚠️ WARNUNG

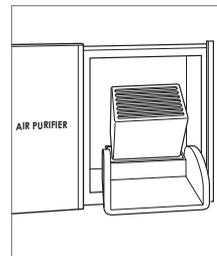
Dieses Gerät enthält einen UV-Strahler. Nicht in die Lichtquelle des Strahlers blicken.

LUFTREINIGUNGSKASSETTE

Die Luftreinigungskassette hält ca. ein Jahr lang. Auf dem Bedienfeld erscheint die Meldung „Schlummerfunktion/ Aktualisieren“, wenn die Kassette ersetzt werden muss. „Schlummerfunktion“ berühren, um die Erinnerung um 24 Stunden zu verschieben oder bis die Kassette ersetzt werden kann.

So wird die Luftreinigungskassette ausgewechselt:

- 1 Um auf die Luftreinigungskassette zuzugreifen, die Tür nach links schieben.
- 2 Die schwarze Abdeckung von oben aus ergreifen und nach unten drehen. Die Kassette springt heraus und kann jetzt entfernt werden. Siehe Abbildung unten.
- 3 Die neue Kassette aus der Verpackung nehmen und so einführen, dass das Anschlussstück nach unten weist.
- 4 Die schwarze Abdeckung schließen und die Tür nach rechts schieben.
- 5 Die Anweisungen auf dem Bedienfeld befolgen. Der Nutzungszyklus für die Kassette wird auf ca. ein Jahr zurückgesetzt.



Luftreinigungskassette

Wasserfiltrationssystem

Das Wasserfiltrationssystem versorgt den Eiswürfelbereiter mit gefiltertem Wasser, um wohlschmeckendes Eis zu produzieren.

WICHTIGER HINWEIS: Bei erstmaliger Benutzung des Wasserfiltrationssystems und nach einem Filterwechsel muss die Luft aus dem System entfernt werden, damit der Filter die Reinigung der Wasserleitungen unterstützen kann. Die beiden ersten vollen Behälter mit Eis müssen bei Modellen ohne Spender entsorgt werden. Bei Modellen mit Spender mehrere Gläser Wasser über einen Zeitraum von zwei Minuten abgeben.

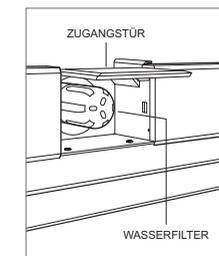
Wenn das Wasserfiltrationssystem nicht verwendet wird, kann es in den Wasserfilter-Bypassmodus versetzt werden, indem der Wasserfilter ausgebaut wird.

WASSERFILTER

Der Wasserfilter ist für 1136 Liter (300 Gallonen) oder ein Jahr ausgelegt, je nachdem, was zuerst eintritt. Auf dem Bedienfeld erscheint die Meldung „Schlummerfunktion/ Aktualisieren“, wenn der Filter ersetzt werden muss. „Schlummerfunktion“ berühren, um die Erinnerung um 24 Stunden zu verzögern oder bis der Filter ersetzt werden kann.

So wird der Wasserfilter ersetzt:

- 1 Um auf den Wasserfilter zuzugreifen, die untere Kante der Zugangstür herausziehen und nach oben drehen. Siehe Abbildung unten.
- 2 Um den alten Filter zu entfernen, eine Vierteldrehung gegen den Uhrzeigersinn vornehmen und ihn dann herausziehen. Es ist normal, wenn beim Herausnehmen des Filters eine kleine Menge Wasser abtropft. Mit Küchenpapier oder einem Tuch aufwischen.
- 3 Den neuen Filter aus der Packung herausnehmen und die Kunststoffkappe abnehmen.
- 4 Den neuen Filter in den Verteiler einsetzen und im Uhrzeigersinn drehen.
- 5 Nach dem Einsetzen des neuen Filters, die Anweisungen auf dem Bedienfeld befolgen. Der Nutzungszyklus für den Filter wird auf ca. ein Jahr zurückgesetzt.



Wasserfilter

Eiswürfelbereiter

So wird der Eiswürfelbereiter bedient:

- 1 Zum Einschalten des Eiswürfelbereiters  auf dem Optionsbildschirm berühren. Wenn ein einziger Eiswürfel hervorgehoben erscheint, ist der Eiswürfelbereiter eingeschaltet.  zeigt an, dass die Max-Eis-Funktion eingeschaltet ist.
- 2 Zum Ausschalten des Eiswürfelbereiters  berühren, bis keine Eiswürfel hervorgehoben erscheinen.

Nach der anfänglichen Inbetriebnahme die ersten Eismengen entsorgen. Das Eis kann Unreinheiten aus neuen Leitungsanschlüssen enthalten.

Mit der Max-Eis-Funktion wird die Eiswürfelherstellung für einen Zeitraum von 24 Stunden um bis zu 30 % gesteigert. Während dieses Zeitraums laufen einige Komponenten bei höherer Geschwindigkeit, was man an einem besonderen akustischen Ton hören kann. Das ist ganz normal und hört nach 24 Stunden auf oder wenn der Eisbehälter voll ist.

Bei unregelmäßiger Verwendung kann das Eis zusammenkleben. Um dies zu vermeiden, das Eis entsorgen und neues Eis herstellen lassen.

Den Eiswürfelbereiter ausschalten, wenn der Eisbehälter für längere Zeit herausgenommen wird. Das Gerät ist nach dem Herausnehmen des Eisbehälters mit einer 3-minütigen Verzögerung ausgestattet, damit keine Würfel ausgeworfen werden, bevor der Eiswürfelbereiter ausgeschaltet bzw. bevor der Eisbehälter wieder eingebaut wird.

Nachtbeleuchtungsmodus

Der Nachtbeleuchtungsmodus reduziert die Helligkeit der Innenbeleuchtung automatisch, wenn ein geringes Umgebungslicht erkannt wird. Wenn der Nachtbeleuchtungsmodus eingeschaltet ist, erscheint  in der linken oberen Ecke auf dem Display des Bedienfelds.

Wenn ein geringes Umgebungslicht erkannt wird, erscheint . Die Helligkeit der Innenbeleuchtung bleibt drei Minuten lang reduziert, auch wenn sich das Umgebungslicht ändert.  berühren, um die Helligkeit zu erhöhen.

So wird der Nachtbeleuchtungsmodus ein- oder ausgeschaltet:

- 1  berühren.
- 2  berühren.

Sabbat

Dieses Gerät ist von Star-K zertifiziert und entspricht den strengen religiösen Vorschriften im Zusammenhang mit spezifischen Anweisungen, die unter www.star-k.org zu finden sind.

Im Sabbat-Modus wird die Helligkeit der Innenbeleuchtung automatisch reduziert. Die Beleuchtung bleibt eingeschaltet, wenn die Tür geschlossen ist. Die Beleuchtung kann im Sabbat-Modus nicht ausgeschaltet werden.

Der Sabbat-Modus wird nach 74 Stunden automatisch deaktiviert. Nach dem Ausschalten des Sabbat-Modus werden alle Beleuchtungspräferenzen auf die vorherigen Einstellungen zurückgesetzt.

So wird der Sabbat-Modus eingeschaltet:

- 1  berühren.
- 2  berühren und 3 Sekunden lang gedrückt halten.

So wird der Sabbat-Modus ausgeschaltet:

- 1  berühren und bis zu 10 Sekunden lang gedrückt halten.

Wasserspender

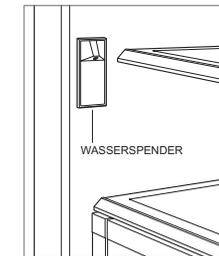
Der 1 Liter große interne Wasserbehälter muss gefüllt werden, bevor Wasser aus dem Spender abgegeben werden kann. Das Paddel des Wasserspenders drücken und bis zu 60 Sekunden lang gedrückt halten, bis Wasser abgegeben wird.

Es dauert u. U. mehrere Stunden, um das Wasser auf Kühlschranktemperatur zu kühlen, wenn der Tank zum ersten Mal gefüllt wird oder nachdem viel Wasser gespendet wurde.

In den Wasserspender wurde eine Sicherheitsfunktion integriert, um den kontinuierlichen Wasserfluss auf 60 Sekunden zu begrenzen.

Zum Abgeben von Wasser:

- 1 Ein Glas gegen den Spender drücken, um den Wasserfluss zu aktivieren. Siehe Abbildung unten.
- 2 Der Wasserfluss stoppt, wenn das Glas weggezogen wird.



Wasserspender

Lebensmittelfrischhaltung

Tipps zur Frischhaltung von Lebensmitteln – Zur Reduzierung des Risikos von verdorbenen Lebensmitteln den Umgang mit Lebensmitteln minimieren. Obst und Gemüse separat lagern. Fleisch in der Originalverpackung lagern und nach dem Öffnen ggf. wieder gut einwickeln.

Ethylengas – Zahlreiche frische Lebensmittel geben Ethylengas ab, eine natürlich vorkommende Verbindung, die die Reifung und den Verderb von Lebensmitteln beschleunigt. Sub-Zero-Kühlschränke sind mit einem Luftreinigungssystem (basierend auf von der NASA entwickelter Technologie) ausgestattet, das Ethylen und Gerüche alle 20 Minuten aus der Luft entfernt. Um Verderb zu minimieren, ethylenzeugendes Obst und Gemüse nicht zusammen mit Lebensmitteln aufbewahren, die empfindlich auf Ethylen reagieren.

e+ Gibt ein ethylenzeugendes Lebensmittel an.

e- Gibt ein ethylenempfindliches Lebensmittel an.

Feuchtigkeit – Die optimale Feuchtigkeit variiert je nach Lebensmittelprodukt. Um Lebensmittel länger frisch zu halten, sollten diese in den in den folgenden Tabellen angegebenen Bereichen gelagert werden.

PRODUKT	E-CODE	KÜHLSCHRANK	GEFRIERSCHRANK
FRISCHES GEMÜSE			
Artischocken		1–2 Wochen	Einfrieren von frischem Gemüse wird nicht empfohlen
Spargel		2–3 Wochen	
Bohnensprossen		7–9 Tage	
Bohnen (grüne oder Lima)	e-	7–10 Tage	
Beete ohne Grün		3–4 Monate	
Pok Choy	e-	3 Wochen	
Brokkoli	e-	1–2 Wochen	
Kohl	e-	3–6 Wochen	
Möhren	e-	1–5 Monate	
Blumenkohl	e-	3–4 Wochen	
Sellerie		1–2 Monate	
Mais		5–8 Tage	
Gurken	e-	10–14 Tage	
Auberginen*	e-	1–2 Wochen	
Frische Kräuter	e-	1–3 Wochen	
Knoblauch*		6–7 Monate	
Ingwer*		6 Monate	
Jicama*		1–2 Monate	
Grünkohl	e-	1–2 Monate	
Lauch		2 Monate	
Kopfsalat	e-	2–3 Wochen	
Pilze		1–2 Wochen	
Zwiebeln		1–6 Monate	
Petersilie	e-	1–2 Monate	
Erbsen (Zucker-, Knack-, Kaiserschoten)	e-	1–2 Wochen	
Paprika (Schoten oder Chili)	e-	2–3 Wochen	
Kartoffeln*		5–10 Monate	
Radisheschen		1–2 Monate	
Schalotten		6 Monate	
Spinat	e-	10–14 Tage	
Sommerkürbis (weiche Rinde)	e-	1–2 Wochen	
Tamarillos		7–10 Tage	
Wasserkastanien		2–4 Monate	

*Nicht im Kühlschrank aufbewahren.

PRODUKT	E-CODE	KÜHLSCHRANK	GEFRIERSCHRANK
FRISCHES OBST			
Äpfel	e+	1–2 Monate	Einfrieren von frischem Obst wird nicht empfohlen
Aprikosen	e+	1–2 Wochen	
Avokados ¹	e+	2–4 Wochen	
Bananen*	e-	1–4 Wochen	
Heidelbeeren		10–18 Tage	
Cantaloupe-Melone	e+	2–3 Wochen	
Kirschen		2–3 Wochen	
Feigen	e+	7–10 Tage	
Grapefruit		6–8 Wochen	
Trauben		2–3 Wochen	
Honigmelone	e-	3–4 Wochen	
Kiwis	e-	4–6 Wochen	
Zitronen		1–6 Monate	
Limonen		6–8 Wochen	
Mangos ¹	e+	2–3 Wochen	
Nektarinen	e+	2–4 Wochen	
Orangen		3–8 Wochen	
Pfirsiche		2–4 Wochen	
Birnen ¹	e+	2–3 Wochen	
Ananas		2–4 Wochen	
Pflaumen	e+	2–5 Wochen	
Himbeeren		3–6 Tage	
Erdbeeren		7–10 Tage	
Tomaten*	e+	1–3 Wochen	

EIER UND GOURMET

Eier (frisch)		3 Wochen	Einfrieren von Eiern und Gourmet-Produkten wird nicht empfohlen
Ei-Ersatz (geöffnet)		3 Tage	
Eier-, Thunfisch- und Schinkensalat		3–5 Tage	
Wurstaufschnitt, dünn geschnitten		1–2 Tage	

*Nicht im Kühlschrank aufbewahren. ¹Vor der Lagerung im Kühlschrank auf der Küchentheke reifen lassen.

PRODUKT	E-CODE	KÜHLSCHRANK	GEFRIERSCHRANK
SUPPE			
Eintopf mit Fleisch		3–4 Tage	2–3 Monate
Gemüsesuppe		3–4 Tage	2–3 Monate
FLEISCH, FISCH UND GEFLÜGEL			
Schinkenspeck		7 Tage	1 Monat
Beefsteak, Rinderbraten		3–5 Tage	6–12 Monate
Blaufisch, Barsch		2 Tage	2–3 Monate
Corned Beef		5–7 Tage	1 Monat
Schinken (ganz)		7 Tage	1–2 Monate
Hamburger		1–2 Tage	3–4 Monate
Fleischgerichte (gekocht)		3–4 Tage	2–3 Monate
Schweine- und Kalbsschnitzel		3–5 Tage	4–6 Monate
Geflügel (gekocht)		3–4 Tage	4–6 Monate
Geflügel (roh)		1–2 Tage	9 Monate
Lachs, Makrele		4 Tage	5–9 Monate
Wurst (roh)		1–2 Tage	1–2 Monate
Garnelen		1 Tag	6 Monate
Geräucherte Frühstückswürstchen, Frikadellen		7 Tage	1–2 Monate
MILCHPRODUKTE			
Butter		3 Monate	1 Jahr
Quark		1–2 Wochen	4 Wochen
Frischkäse		2 Wochen	Nicht empf.
Schmelzkäse		3–4 Wochen	6–8 Monate
Voll- oder fettarme Milch		1–2 Wochen	Nicht empf.
Joghurt		1 Monat	Nicht empf.

Reinigung

AUSSENFINISH AUS EDELSTAHL

Einen nicht scheuernden Edelstahlreiniger verwenden und mit einem weichen, fusselfreien Tuch auftragen. Einen natürlichen Glanz erzielen Sie, indem Sie die Oberfläche mit einem feuchten Mikrofasertuch, dann mit einem trockenen Polierleder leicht abwischen. Stets in Richtung der Maserung des Edelstahls arbeiten.

REINIGUNG DES INNENRAUMS

Zum Reinigen der Innenflächen und herausnehmbaren Teile diese mit einer milden Lösung aus Seife, Wasser und Natriumbikarbonat abwaschen. Abspülen und gründlich trocknen. Es darf nach Möglichkeit kein Wasser auf die Lampen und das Bedienfeld kommen.

⚠ VORSICHT

Auf den Innenflächen keinen Essig bzw. Reinigungsalkohol oder sonstige auf Alkohol basierte Reiniger verwenden.

ABWESENHEIT

Bei längerer Abwesenheit den Strom am Bedienfeld abschalten. Das Gerät ausräumen und die Türen in geöffneter Position blockieren, damit Frischluft in den Innenraum strömen und ihn trocken halten kann. Vor der Inbetriebnahme sollte der Wasserfilter ersetzt werden.

REINIGUNG DES KONDENSATORS

⚠ VORSICHT

Vor dem Reinigen des Kondensators den Strom an dem Bedienfeld ausschalten. Handschuhe tragen, um Verletzungen durch die scharfen Kondensatorrippen zu vermeiden.

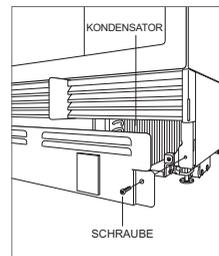
Der Kondensator befindet sich hinter der Sockelleiste. Den Kondensator alle 6 bis 12 Monate reinigen.

So wird der Kondensator gereinigt:

- 1 Das Gerät am Bedienfeld ausschalten.
- 2 Die Sockelleiste durch Ausbauen der zwei Montageschrauben entfernen. Siehe Abbildung unten.
- 3 Staub und Fusseln mit einer weichen Bürste und einem Staubsauger vom Kondensator entfernen.

⚠ VORSICHT

Wenn der Kondensator nicht gereinigt wird, könnte ein Temperaturverlust, ein mechanisches Versagen oder eine Beschädigung die Folge sein.



Position des Kondensators

Fehlersuche

BETRIEB DES GERÄTS

Keine Beleuchtung bzw. keine Kühlung.

- 1 Sicherstellen, dass der Strom eingeschaltet ist.
- 2 Sicherstellen, dass die Stromzufuhr zum Gerät und der Schutzschalter eingeschaltet sind.

Keine Beleuchtung im Kühlschrank oder Gefrierschrank.

- 1 Die Tür/Schublade wurde eventuell offen gelassen, sodass die Lampen deaktiviert wurden, um eine zu starke Wärmebildung zu verhindern. Wenn die Lampen ausgeschaltet sind, die Tür/Schublade eine Stunde lang schließen. Wenn die Lampen immer noch ausgeschaltet sind, wenden Sie sich an einen vom Sub-Zero-Werk zugelassenen Serviceanbieter.
- 2 Die LED-Innenbeleuchtung muss von einem vom Sub-Zero-Werk zugelassenen Serviceanbieter ausgewechselt werden.

Keine Beleuchtung der Kühlschrankregale.

- 1 Sicherstellen, dass das Regal ordnungsgemäß in den Schienen an der Rückwand eingesetzt ist.
- 2 Sicherstellen, dass das Einsetzen des Regals in den Schienen an der Rückwand nicht (z. B. durch einen großen Behälter oder Lebensmittel) verhindert wird.

Ansammlungen von Frost, Kondensat oder Eis im Gerät.

- 1 Prüfen, ob der Kondensator sauber ist.
- 2 Prüfen, ob die Tür/Schublade richtig schließt.
- 3 Sicherstellen, dass die Tür/Schublade nicht offen gelassen wurde.
- 4 Sicherstellen, dass die Tür-/Schubladendichtung keine Schnitte oder Risse hat. Wenn dies der Fall ist, wenden Sie sich an einen vom Sub-Zero-Werk zugelassenen Serviceanbieter.
- 5 Wenn der Kühlschrank stark vereist ist, das Gerät ausschalten und das Eis mit einem Föhn schmelzen. Der Föhn sollte auf niedriger Stufe verwendet und ständig hin und her bewegt werden. Nachdem das Eis geschmolzen ist, das Wasser mit einem Tuch oder Papierhandtuch aufwischen.

Hohe Temperaturen, Gerät läuft übermäßig lange oder strahlt zu viel Wärme ab.

- 1 Prüfen, ob der Kondensator sauber ist.
- 2 Prüfen, ob die Tür/Schublade richtig schließt.
- 3 Sicherstellen, dass die Tür/Schublade nicht offen gelassen wurde.
- 4 Höhere Umgebungstemperaturen können dazu führen, dass der Kompressor länger läuft.
- 5 Wenn auf der Temperaturanzeige -18 °C und 3 °C erscheinen, das Gerät jedoch nicht kühlt, befindet es sich eventuell im Vorführungsmodus. Wenden Sie sich an ein zugelassenes Sub-Zero-Kundendienstzentrum.

Kein Wasser vom Spender.

- 1 Eine Stunde warten, dann den Spender erneut testen. Wenden Sie sich an den zugelassenen Sub-Zero-Kundendienst, falls das Problem nicht behoben wurde.

Fehlersuche

EISHERSTELLUNG

Kein Eis.

- 1 Sicherstellen, dass die Eiswürfelanzeige auf dem Display des Bedienfelds erscheint.
- 2 Sicherstellen, dass der Eiswürfelbereiter mindestens 24 Stunden eingeschaltet war.
- 3 Sicherstellen, dass die Gefrierschranktemperatur bei ca. -18 °C liegt.
- 4 Sicherstellen, dass der Eisbehälter ordnungsgemäß installiert ist.
- 5 Sicherstellen, dass sich der Arm des Eiswürfelbereiters in der unteren Position befindet.
- 6 Sicherstellen, dass das Gerät mit Wasser versorgt wird.
- 7 Sicherstellen, dass der Wasserfilter innerhalb der letzten 12 Monate ausgetauscht und ordnungsgemäß installiert wurde.
- 8 Sicherstellen, dass der Wasserfilter entfernt wurde, wenn ein Umkehrosmose-Filtersystem verwendet wird.

Blaues oder grünes Eis.

- 1 Mögliche Korrosion von Kupferleitungen. Wenden Sie sich zwecks Reinigung oder Auswechseln an einen Installateur.

Schwarze Flecken in Würfeln.

- 1 Die Verwendung einstellen und mit dem zugelassenen Sub-Zero-Kundendienstzentrum Verbindung aufnehmen.

Schlechter Geschmack.

- 1 Gefrierschrank abtauen und mit Seife und Wasser reinigen.
- 2 Kaffeesatz oder Holzkohlebriketts in den Gefrierschrank legen, die den Geruch absorbieren.

Hohle Würfel.

- 1 Den Kondensator reinigen. Wenden Sie sich an den zugelassenen Sub-Zero-Kundendienst, falls das Problem nicht behoben wurde.

GERUCH

- 1 Das Gerät sollte vor der ersten Inbetriebnahme gereinigt werden. Dadurch werden alle Gerüche, die sich während des Versands gebildet haben, beseitigt.
- 2 Die Luftreinigungskassette austauschen.
- 3 Das Gerät und die Regale gründlich reinigen.
- 4 Nicht abgedeckte Lebensmittel bedecken.

SERVICE

- Halten Sie die in Ihr Produkt integrierte Qualität aufrecht, indem Sie sich an ein zugelassenes Sub-Zero-Kundendienstzentrum wenden.
- Wenn Sie sich mit dem Kundendienst in Verbindung setzen, benötigen Sie die Modell- und Seriennummern Ihres Geräts. Beide Nummern sind auf dem Produktypenschild aufgeführt. Die Typenschildposition ist auf Seite 6 angegeben.
- Für Garantiezwecke benötigen Sie außerdem das Datum der Installation und den Namen Ihres Sub-Zero-Vertragshändlers. Diese Informationen sollten auf Seite 2 dieser Anleitung aufgezeichnet werden.

SERVICE (NUR FÜR AUSTRALIEN)

- Es wird eine jährliche Wartung empfohlen.
- Halten Sie die in Ihr Produkt integrierte Qualität aufrecht, indem Sie sich an ein zugelassenes Sub-Zero-Kundendienstzentrum wenden.
- Wenn Sie sich mit dem Kundendienst in Verbindung setzen, benötigen Sie die Modell- und Seriennummern Ihres Produkts. Beide Nummern sind auf dem Produktypenschild aufgeführt. Die Typenschildposition ist auf Seite 6 angegeben.
- Für Garantiezwecke benötigen Sie außerdem das Datum der Installation und den Namen Ihres Sub-Zero-Vertragshändlers. Diese Informationen sollten auf Seite 2 aufgezeichnet werden.
- Für Service in Australien:
Sub-Zero Group Australia Pty Ltd
Level 10, 469 La Trobe Street
Melbourne Victoria 3000
Telefon: 03 9600 2218
subzero-wolf.com.au

SERVICE (NUR FÜR DAS VEREINIGTE KÖNIGREICH)

- Sub-Zero & Wolf Ltd
9 The Street, Heybridge, Maldon, Essex, CM9 4XB
020 8418 3800
service@subzero-wolf.co.uk
www.subzero-wolf.co.uk

Eingeschränkte internationale Garantie von Sub-Zero

NICHT ZUM GEWERBLICHEN GEBRAUCH

VOLLSTÄNDIGE ZWEI-JAHRES-GARANTIE*

Ab dem Datum der ersten Installation deckt diese Produktgarantie von Sub-Zero für die Dauer von zwei Jahren alle Teile und Lohnkosten für die Reparatur oder den Austausch von Teilen des Produktes ab, an dem bei normalem, nicht-gewerblichem Gebrauch Material- oder Verarbeitungsmängel festgestellt wurden. Alle von Sub-Zero im Rahmen der vorstehenden Garantie bereitgestellten Leistungen müssen, wenn von Sub-Zero, Inc. nicht anderweitig festgelegt, von einem zugelassenen Sub-Zero-Kundendienstzentrum erbracht werden. Die Leistungen werden zu den normalen Geschäftszeiten erbracht.

FÜNF JAHRE GARANTIE AUF VERSIEGELTE SYSTEME

Ab dem Datum der ersten Installation deckt diese Produktgarantie von Sub-Zero für die Dauer von fünf Jahren alle Teile und Lohnkosten für die Reparatur oder den Austausch der folgenden Teile des Produktes ab, an dem bei normalem, nicht-gewerblichem Gebrauch Material- oder Verarbeitungsmängel festgestellt wurden: Kompressor, Kondensator, Verdampfer, Trockner und alle Verbindungsrohre. Alle von Sub-Zero im Rahmen der vorstehenden Garantie bereitgestellten Leistungen müssen, wenn von Sub-Zero, Inc. nicht anderweitig festgelegt, von einem zugelassenen Sub-Zero-Kundendienstzentrum erbracht werden. Die Leistungen werden zu den normalen Geschäftszeiten erbracht.

Weitere Informationen zur Produktgarantie von Sub-Zero erhalten Sie von Ihrem Sub-Zero-Vertragshändler. Die Garantien müssen allen Landes-, Bundes-, Orts- und lokalen Vorschriften entsprechen.

*Für Edelstahl (Türen, Bleche, Griffe, Produktrahmen und Innenflächen) gilt eine eingeschränkte Garantie von 60 Tagen für Teile und Lohnkosten zur Behebung von Schönheitsfehlern.

*Ersatz-Wasserfilter und Luftreinigungskassetten sind von der Produktgarantie nicht abgedeckt.



Internationale eingeschränkte Garantie für Outdoor-Produkte von Sub-Zero*

NICHT ZUM GEWERBLICHEN GEBRAUCH

VOLLSTÄNDIGE EINJAHRESGARANTIE**

Ab dem Datum der ersten Installation deckt diese Produktgarantie von Sub-Zero für die Dauer von einem Jahr alle Teile und Lohnkosten für die Reparatur oder den Austausch von Teilen des Produktes ab, an dem bei normalem, nicht-gewerblichem Gebrauch Material- oder Verarbeitungsmängel festgestellt wurden. Alle von Sub-Zero im Rahmen der vorstehenden Garantie bereitgestellten Leistungen müssen, wenn von Sub-Zero, Inc. nicht anderweitig festgelegt, von einem zugelassenen Sub-Zero-Kundendienstzentrum erbracht werden. Die Leistungen werden zu den normalen Geschäftszeiten erbracht.

FÜNF JAHRE GARANTIE AUF VERSIEGELTE SYSTEME

Ab dem Datum der ersten Installation deckt diese Produktgarantie von Sub-Zero für die Dauer von fünf Jahren alle Teile und Lohnkosten für die Reparatur oder den Austausch der folgenden Teile des Produktes ab, an dem bei normalem, nicht-gewerblichem Gebrauch Material- oder Verarbeitungsmängel festgestellt wurden: Kompressor, Kondensator, Verdampfer, Trockner und alle Verbindungsrohre. Alle von Sub-Zero im Rahmen der vorstehenden Garantie bereitgestellten Leistungen müssen, wenn von Sub-Zero, Inc. nicht anderweitig festgelegt, von einem zugelassenen Sub-Zero-Kundendienstzentrum erbracht werden. Die Leistungen werden zu den normalen Geschäftszeiten erbracht.

Weitere Informationen zur Produktgarantie von Sub-Zero erhalten Sie von Ihrem Sub-Zero-Vertragshändler. Die Garantien müssen allen Landes-, Bundes-, Orts- und lokalen Vorschriften entsprechen.

*Das Produkt muss laut entsprechender Kennzeichnung in Modell- und Seriennummer für die Verwendung in Außenbereichen zugelassen sein (Outdoor-Produkt).

**Für Edelstahl (Türen, Bleche, Griffe, Produktrahmen und Innenflächen) gilt eine eingeschränkte Garantie von 60 Tagen für Teile und Lohnkosten zur Behebung von Schönheitsfehlern.

**Ersatz-Wasserfilter und Luftreinigungskassetten sind von der Produktgarantie nicht abgedeckt.



Inhoud

- 2 Koeling designserie
- 3 Veiligheidsmaatregelen
- 6 Kenmerken van designserie
- 7 Drukgevoelige knoppen
- 7 Opslag
- 9 Bediening
- 12 Voedselconservering
- 13 Aanbevelingen voor onderhoud
- 13 Probleemoplossing
- 15 Sub-Zero garanties

Klantenservice

Het model en serienummer staan op het producttypeplaatje. Zie pagina 6 voor locatie typeplaatje. Voor de garantie moet ook de installatiedatum en de naam van uw erkende Sub-Zerodealer bekend zijn. Noteer die gegevens hieronder.

SERVICE-INFORMATIE

Modelnummer

Serienummer

Installatiedatum

Naam gecertificeerde service

Nummer gecertificeerde service

Erkende dealer

Dealernummer

Als er ooit naar uw product moet worden gekeken, maak dan gebruik van een door Sub-Zero erkende serviceprovider.

Belangrijke opmerking

Let voor een veilige en efficiënte installatie en bediening van dit product op de volgende soorten aanduidingen in deze handleiding:

BELANGRIJK duidt op informatie van bijzonder belang.

▲ VOORZICHTIG

Duidt op een situatie waar licht letsel of schade kan optreden als instructies niet worden gevolgd.

▲ WAARSCHUWING

Duidt op gevaar voor ernstig letsel of overlijden als de voorzorgsmaatregelen niet worden nageleefd.

BELANGRIJKE VOORZORGSMATREGELEN

⚠ WAARSCHUWING

Gebruik dit toestel alleen voor huishoudelijk gebruik.

⚠ WAARSCHUWING

Houd ventilatieopeningen vrij, te vinden in de behuizing van het toestel of in de ingebouwde structuur.

⚠ WAARSCHUWING

Geen ontplofbare stoffen zoals spuitbussen met een ontvlambaar drijfgas in dit toestel bewaren.

⚠ WAARSCHUWING

Dit apparaat bevat brandbaar koelmiddel en mag alleen door bevoegd personeel worden gehanteerd, geïnstalleerd, onderhouden en uit gebruik worden genomen. Raadpleeg wanneer het apparaat uit gebruik is genomen de plaatselijke autoriteiten voor afvalverwerking.

⚠ WAARSCHUWING

Zorg dat het koelmiddelcircuit geen schade oploopt.

⚠ WAARSCHUWING

Gebruik geen elektrische apparaten in de opbergvakken van het toestel, tenzij zij van een door de fabrikant aanbevolen type zijn.

⚠ WAARSCHUWING

Gebruik van dit apparaat door kinderen van 8 jaar en ouder en door personen met lichamelijke, zintuiglijke of verstandelijke beperkingen of met onvoldoende ervaring of kennis, is alleen toegestaan als dit onder toezicht gebeurt of wanneer zij zijn voorzien van instructies over het veilig gebruik van het apparaat en zij zich bewust zijn van de hieraan verbonden risico's. Zorg ervoor dat kinderen niet spelen met het apparaat. Reiniging en gebruiksonderhoud mag niet zonder toezicht door kinderen uitgevoerd worden. Kinderen tussen 3 en 8 jaar oud mogen koelapparaten vullen en legen.

BELANGRIJKE VOORZORGSMATREGELEN

⚠ WAARSCHUWING



Dit symbool wijst op risico van brand of brandbare materialen.

⚠ WAARSCHUWING

Om het risico op ontbranding door een slechte installatie, reserveonderdelen of onderhoud te verkleinen, mag deze apparatuur alleen worden onderhouden door koeltechnici die ervaring hebben met brandbaar koelmiddel en die bekend zijn met de gevaren van hoge voltages en koelmiddelen onder druk.

⚠ VOORZICHTIG

Apparaten zonder viersterrenvak zijn niet geschikt voor het invriezen van levensmiddelen.

⚠ VOORZICHTIG

Neem het volgende in acht om voedselverontreiniging te voorkomen:

- Maak de oppervlakken die met voedsel in aanraking komen en de toegankelijke afvoersystemen regelmatig schoon.
- Reinig ijs- en waterdispensers als deze 48 uur niet zijn gebruikt. Gooi ijs en water weg als deze meer dan vijf dagen niet zijn gebruikt.
- Laat rauw vlees en vis in de koelkast niet in aanraking komen met ander voedsel. Bewaar in geschikte verpakkingen.
- Vriesvakken met één, twee en drie sterren zijn niet geschikt voor het invriezen van vers voedsel.
- Vriesvakken met twee sterren zijn geschikt voor het bewaren van reeds bevroren voedsel, het bewaren of maken van roomijs en het maken van ijsblokjes.
- Als het koelapparaat langere tijd leeg zal blijven, schakel het uit, ontdooi, reinig en veeg het apparaat droog en laat de deur open om vorming van schimmel in het apparaat te voorkomen.

BELANGRIJKE VOORZORGSMATREGELEN

⚠ WAARSCHUWING

Gebruik geen mechanische apparaten of andere middelen om het ontdooien te versnellen, tenzij aanbevolen door de fabrikant.

⚠ VOORZICHTIG

Ingebouwde ijsmachines moeten door de fabrikant of diens serviceagent worden geïnstalleerd.

⚠ WAARSCHUWING

Stel het apparaat niet bloot aan regen.

BELANGRIJK: Wanneer deuren of lades langere tijd open staan, stijgt de temperatuur in het apparaat.

⚠ WAARSCHUWING

GEVAAR: Risico op beknelling voor kinderen. Voordat u uw oude koelkast of vriezer weggooit, verwijder de deuren en laat planken en lade-indelingen op hun plaats zodat kinderen niet gemakkelijk naar binnen kunnen klimmen.

Dit apparaat is bedoeld voor gebruik in huishoudelijke en soortgelijke toepassingen zoals:

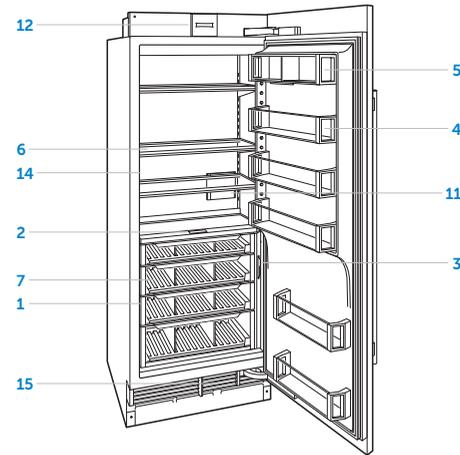
- keukenruimtes in winkels, kantoren en andere werkomgevingen;
- boerenhuizen en door klanten in hotels, motels en andere soorten woningen;
- B&B-achtige omgevingen;
- catering en vergelijkbare niet-retailtoepassingen.

Kenmerken van de designserie

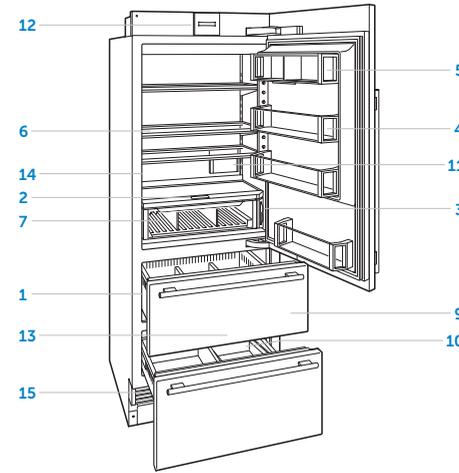
Kenmerken van de designserie

EIGENSCHAPPEN

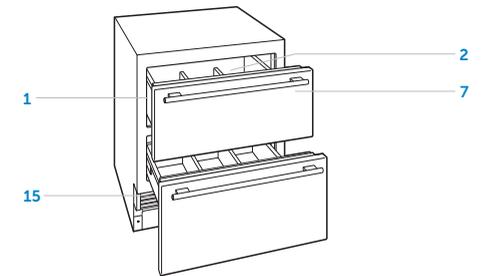
1	Typeplaat
2	Aanraakpaneel
3	Versheidkaarten
4	Verstelbare deurvakken
5	Opklapbaar melkcompartiment
6	Koelkastplanken
7	Koelkastlade
8	Vriezerplanken
9	Vriezerlades
10	Verwijderbare ijsbak
11	Luchtzuiveringssysteem
12	Waterfiltratiesysteem
13	Automatische ijsmaker (modellen met ijsblokjesmachines)
14	Interne waterkoeler (tapmodellen)
15	Condensor (achter het rooster)



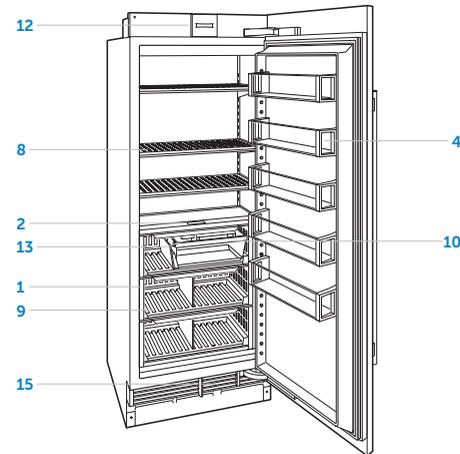
Zuil van alleen-koelkast



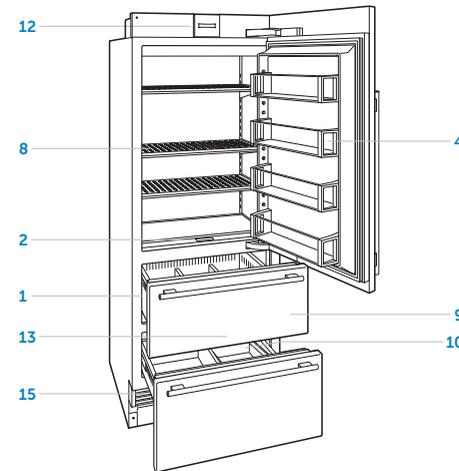
Hoge combinatie



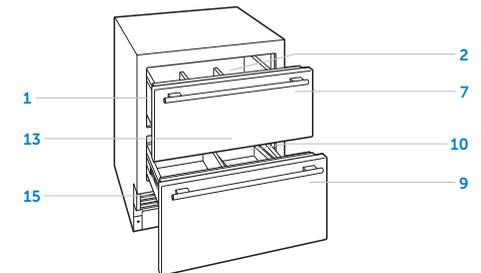
Lade van alleen-koelkast



Zuil van alleen-vriezer



Hoge alleen-vriezer



Ladecombinatie

Drukgevoelige knoppen

Aanraakpaneel

Houd **1** op het bedieningspaneel 2 seconden ingedrukt voor de eerste keer opstarten.

De aanbevolen temperatuur is ingesteld op -18°C voor de vriezer en op 3°C voor de koelkast. De temperatuur kan in stappen van één graad worden aangepast. Het combinatiemodel beschikt over twee temperatuurzones.

Temperatuur instellen:

- 1 Tik op de in te stellen temperatuur.
- 2 Tik op + of - tot de gewenste temperatuur wordt weergegeven. Zie de afbeelding hieronder.

Tik op het bedieningspaneel op  om andere instellingen aan te passen. Zie de afbeelding hieronder.



Startscreen met twee zones



Startscreen met één zone

INSTELLINGEN

	De temperatuur en vochtigheid van de koelkastlade instellen
	De ijsmaker en max ijs in- of uitschakelen
	De luchtzuiveraar in- of uitschakelen
	Zachte verlichting en accentverlichting aanpassen (indien van toepassing)
	Nachtmodus in- of uitschakelen
	Afgeven in- of uitschakelen
	Deuralarm in- of uitschakelen en tijdsduur instellen
	Volume en toon van deuralarm aanpassen
	Waterfilterherinnering in- of uitschakelen
	Het apparaat in- of uitschakelen
	Sabbat in- of uitschakelen
	Temperatuureenheden aanpassen
	Taal selecteren
	Systeeminformatie
	Probleemoplossing en onderhoudsinformatie

Bewaren

Dual Refrigeration®

Deze Sub-Zero beschikt over een uniek Dual Refrigeration® koelsysteem om voedsel langer vers te houden.

Met het Dual Refrigeration® systeem van Sub-Zero houden de aparte koelkast- en vriezersystemen een consistente temperatuur nauwkeurig vast en een juiste vochtigheidsgraad voor een langere levensduur van levensmiddelen. Dankzij Dual Refrigeration® wordt de geur van vers voedsel niet meer overgebracht naar bevroren voedsel en ijs, en bevriest het vocht uit de lucht in het verse-voedselgedeelte niet.

Bewaren in de koelkast

VERSTELBARE DEURVAKKEN

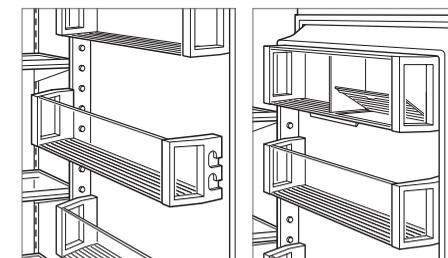
Een deurplank of zuivelvak verplaatsen:

- 1 Til het schap van de bodem en schuif naar buiten om te verwijderen. Zie de afbeelding hieronder.
- 2 Plaats de plank in de gewenste positie en schuif naar beneden op de geleiders om terug te plaatsen.

BELANGRIJK: Als de deuropening niet verder open kan dan 90°, moeten voor het verwijderen van een opberglade of glasplaat eerst de deurvakken worden verwijderd.

OPKLAPBAAR ZUIVELCOMPARTIMENT

De onderkant van het zuivelcompartment kan naar boven worden gedraaid om ruimte te maken voor grotere items eronder. Bij modellen zonder verticale verdelers in het compartiment draait de hele bodem naar boven. Bij modellen met een verticale verdeler draait één deel naar boven. Zie de afbeelding hieronder.



Verwijdering van deurvak

Opklapbaar melkcompartment

Bewaren in de koelkast

GLASPLATEN

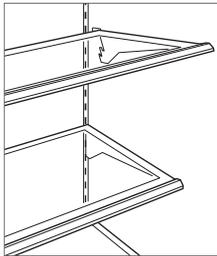
Een glazen plank verplaatsen:

- 1 Kantel de plank omhoog, til op en neem uit om te verwijderen. Zie de afbeelding hieronder.
- 2 Leg de plank in de rails langs de achterwand, duw dan de voorzijde naar beneden totdat deze vastklikt om terug te plaatsen.

BELANGRIJK: Wees voorzichtig bij het hanteren van glasplaten om beschadiging of krassen op het interieur te voorkomen.

▲ VOORZICHTIG

Glasplaten moet op kamertemperatuur komen alvorens ze in warm water te dompelen.



Verwijdering van glasplaat

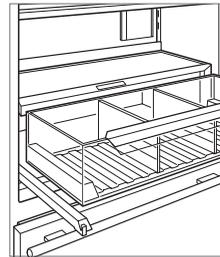
KOELKASTLADES

Een koelkastlade verwijderen en installeren:

- 1 Trek de lade open totdat deze stopt om de lade te verwijderen.
- 2 Til de voorkant van de lade iets op en trek de lade recht naar buiten. Zie de afbeelding hieronder.
- 3 Trek de ladedrager naar buiten en sluit de onderkant van de lade aan op de drager om terug te plaatsen.
- 4 Schuif de lade terug op zijn plaats.

Verplaatsen van een verdeler van een koelkastlade:

- 1 Trek de scheidingswand recht omhoog om te verwijderen.
- 2 Sluit de lipjes op de tussenschotjes aan op de inkepingen in de lade en duw naar beneden om terug te plaatsen.



Verwijderen van koelkastlade

Opberglades

VERSHOUDDEKSEL

Het vershouddeksel in de bovenste opberglade kan dicht worden geschoven, open worden gelaten of verwijderd.

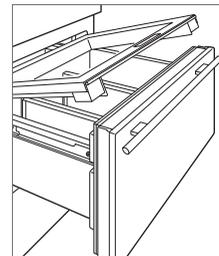
Verwijderen van het vershouddeksel:

- 1 Trek de bovenste opberglade helemaal naar buiten.
- 2 Til de voorkant van het deksel van het vershouddeksel op en trek het naar voren en uit de lade. Zie de afbeelding hieronder.

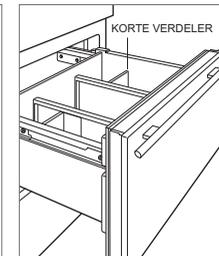
LADESCHOTTEN

Verplaatsen van een ladeschot:

- 1 Om een kort ladeschot te verplaatsen, schuift u het schot naar voren of naar achteren. Zie de afbeelding hieronder.
- 2 Alleen bij lades van 30" en 36" breedte kan één lang schot in de bovenste lade worden versteld. Til het lange schot zo ver mogelijk op, draai linksom en trek omhoog om het schot te verwijderen.
- 3 Sluit de groeven aan op de lipjes van de lade, draai rechtsom en schuif naar beneden om een lang schot te installeren.



Vershouddeksel



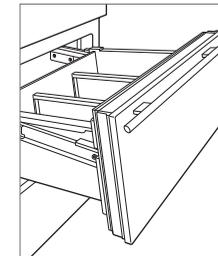
Ladeschotten

VERWIJDERING VAN LADE

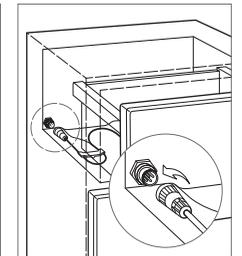
Een opberglade verwijderen/ installeren:

- 1 Trek de lade zover mogelijk open om de lade te verwijderen. Til de voorkant van de lade iets op en trek de lade recht naar buiten. Zie de afbeelding hieronder.
- 2 Til de voorkant van de lade op en plaats op de geleiders om de lade te installeren. Sluit de achterkant van de lade met haken aan op de geleider en dan de witte pinnen aan de voorzijde van de geleider op gaatjes aan de voorzijde van de lade.

BELANGRIJK: Voor modellen met lades heeft de bovenste lade een bedieningskabel die moet worden losgekoppeld voordat de lade wordt verwijderd. Zie de afbeelding hieronder.



Verwijdering van lade



Bedieningskabel (lademodel)

Vriezeropslag

VRIEZERLADES

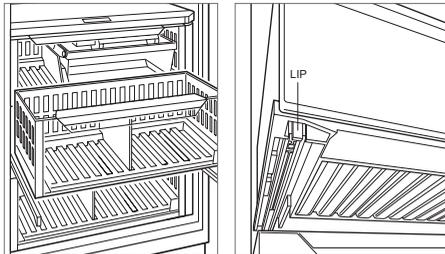
Om een vriezerlade te verwijderen:

- 1 Trek de lade zover mogelijk open.
- 2 Zoek de twee plastic lipjes aan de voorkant van de lade achter de onderste hoeken.
- 3 Trek de lipjes naar voren en til ze vervolgens op en naar buiten. Zie de afbeeldingen hieronder.

Als de deuropening niet verder dan 90° open kan, moet eerst de bovenste lade worden verwijderd voordat de middelste of onderste lade wordt verwijderd.

Om een vriezerlade te installeren:

- 1 Duw de ladegeleiders naar binnen.
- 2 Breng de lade op gelijke hoogte met de geleiders en duw terug totdat deze stopt.
- 3 Druk de voorkant van de lade naar beneden vast op de geleiders.



Vriezerlade van zuil

Lip van vriezerlade

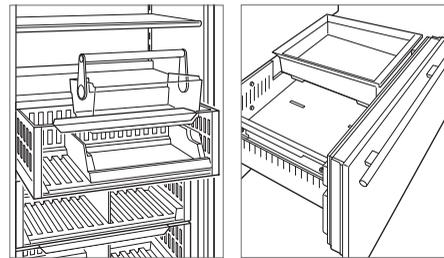
IJSBAK

Om de ijsbak te verwijderen (zuilmodellen):

- 1 Trek de vriezerlade zover mogelijk open.
- 2 Til de ijsbak eruit. Zie de afbeelding hieronder.

Om de ijsbak te verwijderen (hoge en lademodellen):

- 1 Trek de vriezerlade zover mogelijk open.
- 2 Til de ijsbak eruit. Zie de afbeelding hieronder.



Ijshouder van zuilmodel

Ijshouder voor hoge en zuilmodellen

Temperatuur

TEMPERATUURCONTROLE

Om het bewaren van voedsel te optimaliseren, kan de temperatuur van de koelkastlade automatisch of handmatig worden aangepast. Alle lades zijn op dezelfde temperatuur ingesteld en kunnen niet afzonderlijk worden ingesteld.

Met **Automatische modus** wordt de temperatuur van de koelkastlade automatisch op 2° onder de ingestelde temperatuur van de koelkast ingesteld, maar kan niet lager dan 1°C zijn.

Met **Handmatige modus** stelt u de koelkastlade handmatig in op 2° boven of onder het instelpunt van de koelkast, maar niet lager dan 1°C of hoger dan 6°C.

Temperatuur instellen:

- 1 Tik op .
- 2 Tik op .
- 3 Tik op "A" of "M" om tussen de modi te schakelen.
- 4 Tik op + of - om de temperatuur handmatig aan te passen.

Vochtigheid

VOCHTREGELING

Sommige voedingsmiddelen, met name groenten, hebben een hogere luchtvochtigheid nodig om vers te blijven. Het vochtigheidsniveau van de koelkastlade kan worden ingesteld. Selecteer "Extra" om ervoor te zorgen dat het product zo goed mogelijk blijft. Alle lades zijn op hetzelfde niveau ingesteld en kunnen niet afzonderlijk worden ingesteld.

Om de vochtigheid in te stellen:

- 1 Tik op .
- 2 Tik op .
- 3 Tik op  om tussen instellingen te schakelen.

Luchtzuiveringstelsysteem

Veel vers voedsel stoot ethyleengas uit, een van nature voorkomende verbinding die het rijpen en bederf van voedsel versnelt. Als uw apparaat van een luchtzuiveringsinstallatie is voorzien, is de cartridge voorgeïnstalleerd en bevindt deze zich aan de achterwand van de koelkast.

Tik op  op het optiescherm om luchtzuivering te initiëren.

⚠ WAARSCHUWING

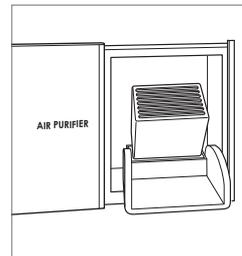
Dit apparaat bevat een UV-straler. Kijk niet in de lichtbron.

LUCHTZUIVERINGSCARTRIDGE

De luchtzuiveringscartridge gaat ongeveer een jaar mee. Op het bedieningspaneel wordt 'Sluimeren/verversen' weergegeven als de cartridge moet worden vervangen. Tik op 'Sluimeren' om de herinnering 24 uur uit te stellen of totdat de cartridge kan worden vervangen.

Vervangen van cartridge van luchtzuiveringsinstallatie:

- 1 Schuif de deur naar links om toegang te krijgen tot de luchtzuiveringscartridge.
- 2 Pak het zwarte deksel aan de bovenkant vast en draai naar beneden. De cartridge floept naar buiten en kan worden verwijderd. Zie de afbeelding hieronder.
- 3 Haal de nieuwe cartridge uit de verpakking en plaats deze met de connector naar beneden.
- 4 Sluit de zwarte klep en schuif de deur naar rechts.
- 5 Volg de instructies op het bedieningspaneel. De levenscyclus van de cartridge wordt voor ongeveer een jaar gereset.



Luchtzuiveringscartridge

Waterfiltratiesysteem

Het waterfiltratiesysteem levert gefilterd water aan de ijsmaker en waterdispenser (dispensermodellen) voor heerlijk water en ijs.

BELANGRIJK: Wanneer u het waterfiltratiesysteem voor de eerste keer gebruikt en als het filter is vervangen, moet alle lucht uit het systeem worden verwijderd waarbij het filter meehelpt om de waterleidingen te reinigen. Gooi de eerste twee volle bakken ijs weg bij modellen zonder dispenser. Bij dispensermodellen vult u verschillende glazen water gedurende twee minuten.

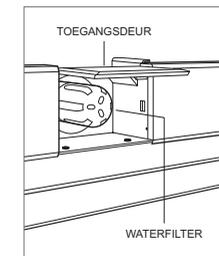
Als het waterfiltersysteem niet wordt gebruikt, kan het in omleidingsmodus worden gezet door het filter te verwijderen.

WATERFILTER

Het waterfilter is geschikt voor 300 gallon (1136 liter) of voor een jaar, wat het eerst komt. Op het bedieningspaneel wordt 'Sluimeren/verversen' weergegeven als de filter moet worden vervangen. Tik op 'Sluimeren' om de herinnering 24 uur uit te stellen of totdat het filter kan worden vervangen.

Om het waterfilter te vervangen:

- 1 Trek de onderrand van de toegangsdeur naar buiten en draai omhoog om het waterfilter te bereiken. Zie de afbeelding hieronder.
- 2 Draai het oude filter een kwartslag linksom en trek het naar buiten om het te verwijderen. Het is normaal dat er een kleine hoeveelheid water druppelt wanneer het filter wordt verwijderd. Veeg het water weg met een papieren handdoek of doek.
- 3 Haal het nieuwe filter uit de verpakking en verwijder de plastic dop.
- 4 Plaats het nieuwe filter in het verdeelstuk en draai rechtsom.
- 5 Volg de aanwijzingen op het bedieningspaneel als het nieuwe filter is geplaatst. De levensduur van de filters is ongeveer een jaar.



Waterfilter

IJsmaker

Om de ijsmaker te bedienen:

- 1 Tik op  op het optiesschermbom de ijsmaker in te schakelen. Een verlicht blokje geeft aan dat de ijsmaker is ingeschakeld.  geeft aan dat de max ijsfunctie is ingeschakeld.
- 2 Om de ijsmaker uit te schakelen: tik op  tot alle blokjes uit zijn.

Gooi na het inschakelen de eerste paar ijsleveringen weg. Het ijs kan ongerechtigheden bevatten van nieuwe sanitair aansluitingen.

Max ijs zorgt voor een verhoging van de ijsproductie tot 30% gedurende een periode van 24 uur. Tijdens die periode kunnen bepaalde onderdelen in een hogere snelheid worden uitgevoerd, wat leidt tot een unieke hoorbare toon. Dit is gewoon en houdt op na 24 uur of wanneer de ijshouder vol is.

IJs kan samenklonteren als het niet regelmatig wordt gebruikt. Om dit te voorkomen gooit u het ijs weg en laat u de ijsmaker nieuw ijs maken.

Schakel de ijsmaker uit als de ijsbak voor een langere periode wordt verwijderd. Het apparaat is voorzien van een vertraging van 3 minuten nadat de ijsbak is verwijderd, zodat de ijsblokken niet worden uitgeworpen voordat de ijsmaker kan worden gedeactiveerd of de ijsbak is teruggeplaatst.

Nachtmodus

De nachtmodus verlaagt automatisch de helderheid van de binnenverlichting wanneer er weinig omgevingslicht wordt gedetecteerd. Wanneer de nachtmodus is ingeschakeld, verschijnt  in de linkerbovenhoek van het display van het bedieningspaneel.

 verschijnt wanneer er weinig omgevingslicht wordt gedetecteerd. De helderheid van de binnenverlichting blijft drie minuten lang laag, ook als het omgevingslicht verandert. Tik op  om de helderheid te verhogen.

Nachtmodus in- of uitschakelen:

- 1 Tik op .
- 2 Tik op .

Sabbat

Dit toestel is gecertificeerd door Star-K en voldoet aan strikte religieuze voorschriften in combinatie met specifieke instructies op www.star-k.org.

In sabbatmodus wordt de binnenverlichting automatisch op een lagere helderheid ingesteld. De lichten blijven branden als de deur gesloten is. De lichten kunnen in de sabbatmodus niet worden uitgeschakeld.

De sabbatmodus wordt na 74 uur automatisch uitgeschakeld. Alle verlichtingsvoorkeuren keren terug naar de vorige instelling wanneer de sabbatmodus wordt uitgeschakeld.

Sabbat inschakelen:

- 1 Tik op .
- 2 Houd  3 seconden ingedrukt.

Sabbat uitschakelen:

- 1 Houd  10 seconden ingedrukt.

Waterkoeler

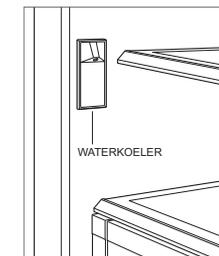
Het interne waterreservoir van 1 liter moet worden gevuld voordat er water uit de dispenser kan stromen. Houd de peddel van de waterdispenser maximaal 60 seconden ingedrukt totdat er water wordt afgegeven.

Het duurt enkele uren om het water tot koelkasttemperatuur af te laten koelen tijdens het oorspronkelijke vullen en als een grote hoeveelheid water is uitgegeven.

Een veiligheidsfunctie in de waterkoeler zorgt dat de waterstroom maximaal 60 seconden duurt.

Tappen van water:

- 1 Druk met een glas tegen de waterkoeler om de waterstroom te activeren. Zie de afbeelding hieronder.
- 2 De waterstroom stopt als het glas wordt weggetrokken.



Waterkoeler

Voedselconservering

Tips voor het bewaren van voedsel—Raak voedsel zo min mogelijk aan om het risico op bederf te verkleinen. Bewaar groenten en fruit apart. Bewaar vlees in de originele verpakking; eenmaal geopend, opnieuw stevig inpakken.

Ethyleengas—Veel vers voedsel stoot ethyleengas uit, een van nature voorkomende verbinding die het rijpen en bederf van voedsel versnelt. Koelkasten van Sub-Zero worden geleverd met een luchtzuiveringssysteem (gebaseerd op door NASA ontwikkelde technologie) waarbij om de 20 minuten de lucht van ethyleen en geuren wordt verwijderd. Om bederf te verminderen, mag u geen ethyleenproducerende groenten en fruit bewaren bij die groenten en fruit die gevoelig zijn voor ethyleen.

e⁺ Geeft een ethyleenproducerend voedingsmiddel aan.

e⁻ Geeft een ethyleengevoelig voedingsmiddel aan.

Vochtigheid—De optimale luchtvochtigheid varieert voor verschillende voedingsmiddelen. Om voedsel langer vers te houden, bewaart u voedsel in de gebieden die in de volgende tabellen zijn aangegeven.

VOEDINGSMIDDEL	E-CODE	KOELKAST	VRIEZER
VERSE GROENTE			
Artisjokken		1–2 weken	Invriezen van verse groenten wordt niet aanbevolen.
Asperges		2–3 weken	
Taugé		7–9 dagen	
Bonen (groen of lima)	e ⁻	7–10 dagen	
Bieten zonder topjes		3–4 maanden	
Chinees kool	e ⁻	3 weken	
Broccoli	e ⁻	1–2 weken	
Kool	e ⁻	3–6 weken	
Wortelen	e ⁻	1–5 maanden	
Bloemkool	e ⁻	3–4 weken	
Selderij		1–2 maanden	
Mais		5–8 dagen	
Komkommers	e ⁻	10–14 dagen	
Aubergine*	e ⁻	1–2 weken	
Verse kruiden	e ⁻	1–3 weken	
Knoflook*		6–7 maanden	
Gember*		6 maanden	
Yamboon*		1–2 maanden	
Boerenkool	e ⁻	1–2 maanden	
Prei		2 maanden	
Sla	e ⁻	2–3 weken	
Champignons		1–2 weken	
Uien		1–6 maanden	
Peterselie	e ⁻	1–2 maanden	
Peulen (sugar snaps, peultjes)	e ⁻	1–2 weken	
Paprika's (ook rode pepers)	e ⁻	2–3 weken	
Aardappelen*		5–10 maanden	
Radis		1–2 maanden	
Sjalotten		6 maanden	
Spinazie	e ⁻	10–14 dagen	
Pompoen (zachte korst)	e ⁻	1–2 weken	
Tamarillo's		7–10 dagen	
Waterkastanjes		2–4 maanden	

*Niet in koeling plaatsen.

VOEDINGSMIDDEL	E-CODE	KOELKAST	VRIEZER
VERS FRUIT			
Appels	e ⁺	1–2 maanden	Invriezen van vers fruit wordt niet aanbevolen.
Abrikozen	e ⁺	1–2 weken	
Avocado's†	e ⁺	2–4 weken	
Bananen*	e ⁻	1–4 weken	
Bosbessen		10–18 dagen	
Cantaloupe-meloen	e ⁺	2–3 weken	
Kersen		2–3 weken	
Vijgen	e ⁺	7–10 dagen	
Grapefruit		6–8 weken	
Druiven		2–3 weken	
Honingmeloen	e ⁻	3–4 weken	
Kiwi's	e ⁻	4–6 weken	
Citroenen		1–6 maanden	
Limoenen		6–8 weken	
Mango's†	e ⁺	2–3 weken	
Nectarines	e ⁺	2–4 weken	
Sinaasappelen		3–8 weken	
Perziken		2–4 weken	
Peren†	e ⁺	2–3 weken	
Ananas		2–4 weken	
Pruimen	e ⁺	2–5 weken	
Frambozen		3–6 dagen	
Aardbeien		7–10 dagen	
Tomaten*	e ⁺	1–3 weken	

EIEN EN VERSWAREN

Eieren (vers)		3 weken	Invriezen van eieren en verswaren wordt niet aanbevolen.
Eivervanger (geopend)		3 dagen	
Salade van ei, tonijn of ham		3–5 dagen	
Vleeswaren, in dunne plakjes		1–2 dagen	

*Niet in koeling plaatsen. †Laat rijpen op het aanrecht voor koeling.

VOEDINGSMIDDEL	E-CODE	KOELKAST	VRIEZER
SOEP			
Stoofpot met vlees		3–4 dagen	2–3 maanden
Groentesoep		3–4 dagen	2–3 maanden
VLEES, VIS EN GEVOGELTE			
Spek		7 dagen	1 maand
Stoofvlees van rundvlees		3–5 dagen	6–12 maanden
Blauwbaars, baars		2 dagen	2–3 maanden
Cornedbeef		5–7 dagen	1 maand
Hele ham		7 dagen	1–2 maanden
Hamburgers		1–2 dagen	3–4 maanden
Vleesgerechten		3–4 dagen	2–3 maanden
Varkens- en kalfskoteletten		3–5 dagen	4–6 maanden
Gevogelte (gekookt)		3–4 dagen	4–6 maanden
Gevogelte (rauw)		1–2 dagen	9 maanden
Zalm, makreel		4 dagen	5–9 maanden
Worst (rauw)		1–2 dagen	1–2 maanden
Garnalen		1 dag	6 maanden
Gerookte ontbijtworsten, pasteitjes		7 dagen	1–2 maanden
ZUIVEL			
Boter		3 maanden	Één jaar
Cottage cheese		1–2 weken	4 weken
Roomkaas		2 weken	Niet aanbevolen
Smeltkaas		3–4 weken	6–8 maanden
Volle of magere melk		1–2 weken	Niet aanbevolen
Yoghurt		1 maand	Niet aanbevolen

Reinigen

RVS BUITENKANT

Gebruik een niet-schurend roestvrijstalen reinigingsmiddel en breng dit aan met een zachte, pluisvrije doek. Om de natuurlijke glans tevoorschijn te brengen, wrijft u het oppervlak licht in met een vochtige microvezeldoek gevolgd door een droge zeemleren lap. Wrijf altijd mee in de richting van de korrel van het roestvrij staal.

INTERIEURREINIGING

Om oppervlakken aan de binnenkant en alle verwijderbare onderdelen te reinigen, gebruikt u een milde oplossing van zeep, water en bakpoeder. Goed afspoelen en afdrogen. Zorg dat er geen water op de verlichting en het bedieningspaneel terecht komt.

⚠ VOORZICHTIG

Gebruik geen azijn, alcohol of andere reinigingsmiddelen op basis van alcohol op de oppervlakken aan de binnenkant.

VAKANTIES

Voor lange vakanties schakelt u de stroom uit op het bedieningspaneel. Leeg het apparaat en laat de deuren iets openstaan zodat frisse lucht naar binnen kan en het interieur droog blijft. Het waterfilter moet worden vervangen voor het opstarten.

CONDENSOR REINIGEN

⚠ VOORZICHTIG

Schakel voordat u de condensor schoonmaakt de stroom uit op het bedieningspaneel. Draag handschoenen om letsel te voorkomen door de scherpe condensorvinnen.

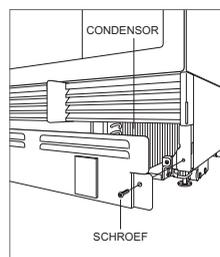
De condensor bevindt zich achter de stootplaat. Reinig de condensor om de 6-12 maanden.

Reinigen van de condensor:

- 1 Schakel de stroom uit op het bedieningspaneel.
- 2 Verwijder de stootplaat door de twee schroeven los te draaien. Zie de afbeelding hieronder.
- 3 Gebruik een zachte haren borstel en stofzuiger om stof en pluizen van de condensor te verwijderen.

⚠ VOORZICHTIG

Als de condensor niet regelmatig wordt gereinigd kan dit leiden tot temperatuurverlies, mechanische storingen of schade.



Locatie van de condensor

Probleemoplossing

WERKING

Geen lampjes of koeling.

- 1 Controleer of de stroom is ingeschakeld.
- 2 Controleer of de elektrische stroom naar het apparaat en de stroomonderbreker is ingeschakeld.

Geen lampjes in de ijskast of de diepvriezer.

- 1 De deur/lade kan open zijn blijven staan, waardoor de lampjes zijn uitgevallen om overmatige warmte te elimineren. Als de lampjes uit zijn, sluit dan de deur/lade gedurende één uur. Als de lampjes nog steeds uit zijn, neem dan contact op met de erkende onderhoudsdienst van de Sub-Zero fabriek.
- 2 De led-verlichting van het interieur moet worden vervangen door de erkende onderhoudsdienst van Sub-Zero.

Geen verlichting in de koelkast.

- 1 Controleer of de plank goed in de rails langs de achterwand is geplaatst.
- 2 Controleer dat er geen artikelen (een hoge bak of voedsel) verhinderen dat de plank in de rails langs de achterwand grijpt.

Bevriazing, condens of ijs hopen zich op in het apparaat.

- 1 Controleer of de condensor schoon is.
- 2 Controleer of de deur/lade goed sluit.
- 3 Controleer of de deur/lade niet open is blijven staan.
- 4 Controleer of er geen scheuren of andere beschadigingen in de afdichting van de deur/lade zitten. Is dat het geval, neem dan contact op met de erkende onderhoudsdienst van Sub-Zero.
- 5 Als er veel bevriazing aanwezig is, schakel het apparaat dan uit en gebruik een haardroger om het ijs te laten smelten. De haardroger moet op een lage stand worden aangezet en telkens in beweging worden gehouden. Als het ijs is gesmolten, neem het water dan op met een doek of met een papieren handdoek.

Hoge temperatuur, apparaat werkt buitensporig of geeft te veel warmte af.

- 1 Controleer of de condensor schoon is.
- 2 Controleer of de deur/lade goed sluit.
- 3 Controleer of de deur/lade niet open is blijven staan.
- 4 Door een hogere omgevingstemperatuur kan de compressor langer blijven aanstaan.
- 5 Als de temperatuur -18°C en 3°C aangeeft, maar er wordt niet gekoeld, dan kan het apparaat in showroomstand zijn. Neem contact op met de erkende onderhoudsdienst van Sub-Zero.

Geen water uit de koeler.

- 1 Wacht een uur en probeer de koeler dan opnieuw. Neem contact op met de erkende onderhoudsdienst van Sub-Zero als het probleem niet wordt verholpen.

Probleemoplossing

IJSPRODUCTIE

Geen ijs.

- 1 Controleer of de ijsblokjesindicator in het bedieningspaneel zichtbaar is.
- 2 Controleer of de ijsmaker ten minste 24 uur ingeschakeld is geweest.
- 3 Controleer of de temperatuur van de vriezer ongeveer -18° C is.
- 4 Controleer of de ijsbak goed is geplaatst.
- 5 Controleer of de arm van de ijsmaker naar beneden staat.
- 6 Controleer of het apparaat op de waterleiding is aangesloten.
- 7 Controleer of het waterfilter de afgelopen 12 maanden is vervangen en correct is geïnstalleerd.
- 8 Bij gebruik van een filtersysteem met omgekeerde osmose: controleer of het waterfilter is verwijderd.

Blauw of groen ijs.

- 1 Mogelijke corrosie van koper in de toevoerleiding. Vraag een loodgieter om te reinigen of te vervangen.

Zwarte vlekken in de blokjes.

- 1 Stop gebruik en neem contact op met de erkende onderhoudsdienst van Sub-Zero.

Slechte smaak.

- 1 Laat de vriezer ontdooien en reinig met zeep en water.
- 2 Plaats koffiepoeder of koolbriquetten in de vriezer om geuren op te nemen.

Holle blokjes.

- 1 Reinig de condensor. Neem contact op met de erkende onderhoudsdienst van Sub-Zero als het probleem niet wordt verholpen.

GEUR

- 1 Reinig het apparaat voor het eerste gebruik. Hierdoor worden eventuele geuren die tijdens transport zijn opgevangen verwijderd.
- 2 Vervang de cartridge van de luchtzuiveringsinstallatie.
- 3 Reinig het apparaat en de planken grondig.
- 4 Bedek onafgedekt voedsel.

ONDERHOUD

- Handhaaf de kwaliteit die in uw product is ingebouwd door contact op te nemen met de erkende onderhoudsdienst van de Sub-Zero-fabriek.
- Houd het model- en serienummer van uw product bij de hand als u contact opneemt. Beide nummers staan op het producttypeplaatje. Zie pagina 6 voor locatie typeplaatje.
- Voor de garantie moet ook de installatiedatum en de naam van uw erkende Sub-Zerodealer bekend zijn. Deze informatie moet op bladzijde 2 van deze handleiding worden genoteerd.

ONDERHOUD (ALLEEN VOOR AUSTRALIË)

- Jaarlijks onderhoud wordt aanbevolen.
- Handhaaf de kwaliteit die in uw product is ingebouwd door contact op te nemen met de erkende onderhoudsdienst van de Sub-Zero-fabriek.
- Houd het model- en serienummer van uw product bij de hand bij het opnemen van contact. Beide nummers staan op het producttypeplaatje. Zie pagina 6 voor locatie typeplaatje.
- Voor de garantie moet ook de installatiedatum en de naam van uw erkende Sub-Zerodealer bekend zijn. Deze informatie moet op bladzijde 2 worden genoteerd.
- Neem alleen voor Australië contact op met:
Sub-Zero Group Australia Pty Ltd
Niveau 10, 469 La Trobe Street
Melbourne Victoria 3000
Telefoon 03 9600 2218
subzero-wolf.com.au

ONDERHOUD (ALLEEN VOOR HET VERENIGD KONINKRIJK)

- Sub-Zero & Wolf Ltd
9 The Street, Heybridge, Maldon, Essex, CM9 4XB
020 8418 3800
service@subzero-wolf.co.uk
www.subzero-wolf.co.uk

Garantie

Beperkte garantie op producten van Sub-Zero International

VOOR HUISHOUELIJK GEBRUIK

VOLLEDIGE GARANTIE VAN TWEE JAAR*

Gedurende twee jaar vanaf de datum van de oorspronkelijke installatie dekt deze productgarantie van Sub-Zero alle onderdelen en arbeid die bij normaal huishoudelijk gebruik nodig zijn voor reparatie of vervanging van een deel van het product dat defect blijkt te zijn qua materiaal of vervaardiging. Alle onderhoud door Sub-Zero onder de bovenstaande garantie moet door een door Sub-Zero-fabriek erkende dienst worden uitgevoerd, tenzij anders aangegeven door Sub-Zero, Inc. Het onderhoud wordt tijdens normale kantooruren uitgevoerd.

VOLLEDIGE GARANTIE VAN VIJF JAAR OP VERZEGELD SYSTEEM

Gedurende vijf jaar vanaf de datum van de oorspronkelijke installatie dekt de productgarantie van Sub-Zero alle onderdelen en arbeid die bij normaal huishoudelijk gebruik nodig zijn voor reparatie of vervanging van de compressor, condensor, verstuiver, droger en alle verbindingstukken die defect blijken te zijn qua materiaal of vervaardiging. Alle onderhoud door Sub-Zero onder de bovenstaande garantie moet door een door Sub-Zero-fabriek erkende dienst worden uitgevoerd, tenzij anders aangegeven door Sub-Zero, Inc. Het onderhoud wordt tijdens normale kantooruren uitgevoerd.

Voor meer informatie over de productgarantie van Sub-Zero kunt u contact opnemen met uw geautoriseerde dealer van Sub-Zero. Garanties moeten voldoen aan alle verordeningen op landelijk, provinciaal en gemeentelijk niveau.

*Roestvrij staal (deuren, panelen, handgrepen, productframes en inwendige oppervlakken) worden gedekt door een beperkte garantie voor cosmetische defecten op onderdelen en arbeid van 60 dagen.

**Reserve waterfilters en luchtzuiveringscartridges vallen niet onder de productgarantie.



Garantie voor buitengebruik

International outdoor van Sub-Zero - beperkte garantie

VOOR HUISHOUELIJK GEBRUIK

VOLLEDIGE GARANTIE VAN ÉÉN JAAR**

Gedurende een jaar vanaf de datum van de oorspronkelijke installatie dekt deze productgarantie van Sub-Zero alle onderdelen en arbeid die bij normaal huishoudelijk gebruik nodig zijn voor reparatie of vervanging van een deel van het product dat defect blijkt te zijn qua materiaal of vervaardiging. Alle onderhoud door Sub-Zero onder de bovenstaande garantie moet door een door Sub-Zero-fabriek erkende dienst worden uitgevoerd, tenzij anders aangegeven door Sub-Zero, Inc. Het onderhoud wordt tijdens normale kantooruren uitgevoerd.

VOLLEDIGE GARANTIE VAN VIJF JAAR OP VERZEGELD SYSTEEM

Gedurende vijf jaar vanaf de datum van de oorspronkelijke installatie dekt de productgarantie van Sub-Zero alle onderdelen en arbeid die bij normaal huishoudelijk gebruik nodig zijn voor reparatie of vervanging van de compressor, condensor, verstuiver, droger en alle verbindingstukken die defect blijken te zijn qua materiaal of vervaardiging. Alle onderhoud door Sub-Zero onder de bovenstaande garantie moet door een door Sub-Zero-fabriek erkende dienst worden uitgevoerd, tenzij anders aangegeven door Sub-Zero, Inc. Het onderhoud wordt tijdens normale kantooruren uitgevoerd.

Voor meer informatie over de productgarantie van Sub-Zero kunt u contact opnemen met uw geautoriseerde dealer van Sub-Zero. Garanties moeten voldoen aan alle verordeningen op landelijk, provinciaal en gemeentelijk niveau.

*Het product moet voor gebruik buitenshuis worden goedgekeurd, aangegeven door het model en serienummer.

**Roestvrij staal (deuren, panelen, handgrepen, productframes en inwendige oppervlakken) worden gedekt door een beperkte garantie voor cosmetische defecten op onderdelen en arbeid van 60 dagen.

**Reserwaterfilters en luchtzuiveringscartridges vallen niet onder de productgarantie.



目录

- 2 设计师系列冰柜
- 3 安全防范措施
- 6 设计师系列特点
- 7 触摸控制
- 7 储存
- 9 产品运行
- 12 食物保藏
- 13 保养建议
- 13 故障排除
- 15 Sub-Zero质保

客户服务

型号和序列号列于产品铭牌上。铭牌位置参见第6页。出于质保目的，您还需要知悉安装日期和授权的Sub-Zero经销商名称。记录以下信息，以供日后参考。

服务信息

型号	_____
序列号	_____
安装日期	_____
经认证的服务部门名称	_____
经认证的服务部门号码	_____
授权经销商	_____
经销商号码	_____

如果您的产品需要护理，请务必联系Sub-Zero工厂认证的服务提供商。

重要提示

为确保尽可能安全高效地安装和操作本产品，请注意本指南中以下突出显示的信息类型：

重要提示突出显示尤为重要的信息。

▲ 注意

表示如果不遵守说明，可能会导致轻微的人身伤害或产品损坏的情况。

▲ 警告

表示如果不遵守注意事项，可能会导致严重伤害或死亡的危险。

重要防护措施

⚠ 警告

该设备仅供住宅使用。

⚠ 警告

确保设备外壳或内置结构中的通风口均保持畅通。

⚠ 警告

请勿在本设备中储存爆炸性物品，如装有易燃喷射剂的喷雾罐。

⚠ 警告

该设备含有易燃制冷剂，必须由授权人员搬运、安装、维修和报废。一旦报废，请咨询当地主管部门了解处置要求。

⚠ 警告

请勿损坏制冷剂回路。

⚠ 警告

请勿在本设备的食品储存室内使用电器，除非是制造商推荐的类型。

⚠ 警告

如果已获得有关安全地使用本电器的监督或指导并了解相关危险，则本设备可供8岁及以上的儿童以及身体、感觉或心理能力降低或缺乏经验和知识的人员使用。儿童不得玩耍本产品。儿童不得在没有监督的情况下进行清洁和用户维护。允许3至8岁的儿童装载和卸载制冷设备。

重要防护措施

⚠ 警告



这个符号表示有着火/易燃材料的危险。

⚠ 警告

为尽量减少因安装、更换部件或维修程序不当而引起的点火风险，只有经过可燃制冷剂培训并了解高压电和承压制冷剂处理危险的制冷技术人员才能在该设备上工作。

⚠ 注意

无四星隔室的设备不适合冷冻食物。

⚠ 注意

为避免食物污染，请遵守以下事项：

- 定期清洁与食物接触的表面和可使用的排水系统。
- 清洁48小时内未使用的冰和饮水机。如果冰和水超过五天未使用，则分发并丢弃这些冰和水。
- 不要让生肉和生鱼接触冷藏室中的其他食物。储存在合适的容器中。
- 一星、二星和三星隔室不适合冷冻新鲜食物。
- 二星冷冻食物隔室适合储存预冻食物，储存或制作冰淇淋以及制作冰块。
- 如果制冷设备长时间空置，则关闭、除霜、清洁、干燥，以及使门保持打开，以防止设备内部发霉。

重要防护措施

⚠ 警告

请勿使用机械装置或其他工具（制造商推荐的除外）加快除霜过程。

⚠ 注意

结合的制冰机必须由制造商或其服务代理安装。

⚠ 警告

请勿让本设备淋雨。

重要提示：使门或抽屉长时间保持打开状态会使设备内部的温度升高。

⚠ 警告

危险：有儿童被困的风险。在您扔掉旧冰箱或冰柜之前，拆掉门，把架子和抽屉分隔放好，这样孩子们就不会轻易爬进去。

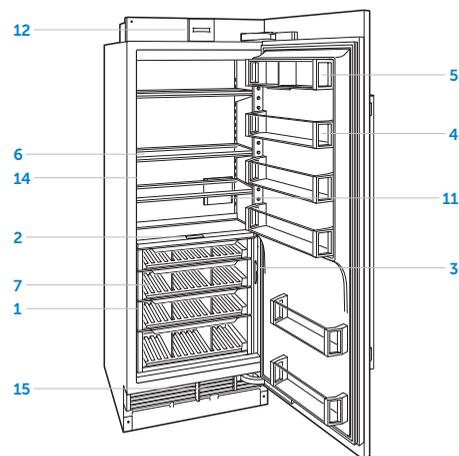
本设备旨在用于家庭和类似应用中，如：

- 在商店、办公室和其他工作环境中的员工厨房区
- 农家院及酒店、汽车旅馆和其他居住类型环境的客人
- 住宿加早餐型环境
- 餐饮和类似的非零售业务

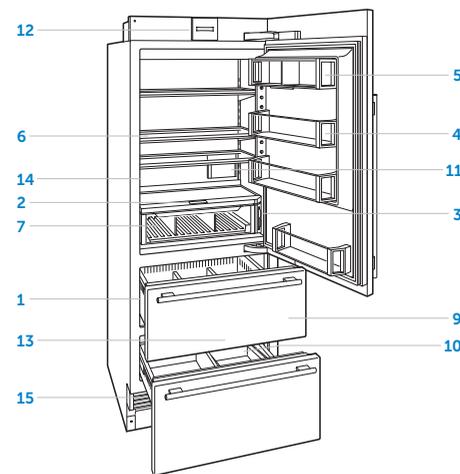
设计师系列特点

特点

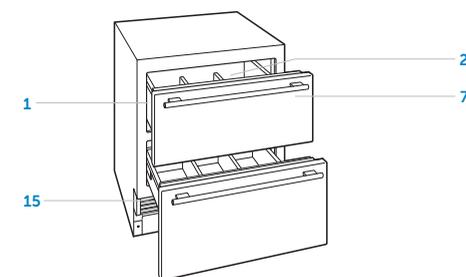
- 1 产品铭牌
- 2 触摸控制面板
- 3 保鲜卡
- 4 可调门上搁架
- 5 翻转式乳制品隔室
- 6 冷藏室搁架
- 7 冷藏室储存抽屉
- 8 冷冻室搁架
- 9 冷冻室储存抽屉
- 10 可拆卸冰盒
- 11 空气净化系统
- 12 水过滤系统
- 13 自动制冰机 (制冰机型号)
- 14 内部饮水机 (饮水机型号)
- 15 冷凝器 (格栅后面)



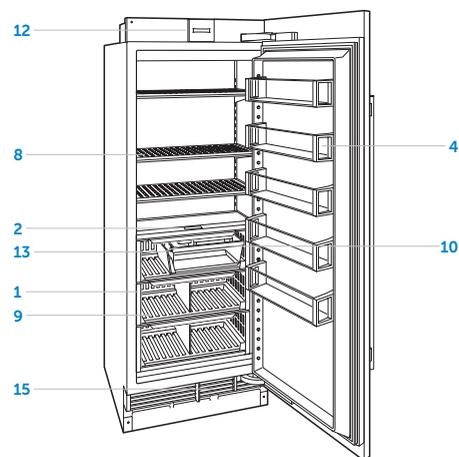
柱所有冷藏室



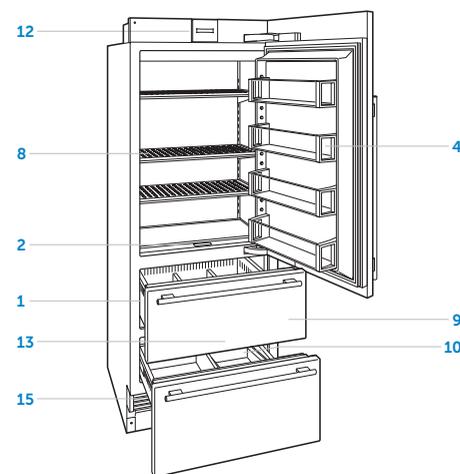
高组合



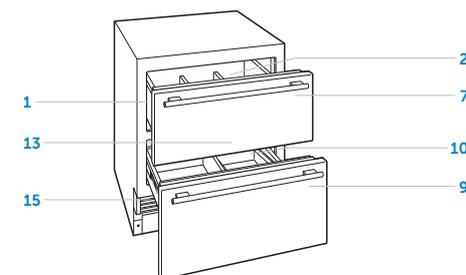
抽屉所有冷藏室



柱所有冷冻室



高所有冷藏室



抽屉组合

触摸控制

触摸控制面板

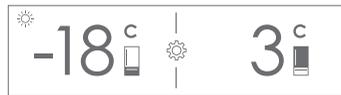
如果首次启动，请触摸并按住控制面板上的  2秒钟。

冷冻室的建议温度预设为-18° C，冷藏室的建议温度预设为3° C。温度可以以一度为增量进行调节。该组合型号具有两个温度区。

要调节温度：

- 1 触摸待调节的温度。
- 2 触摸 + 或 - 直到显示想要的温度。请参见下图。

要调整其他设置，请触摸控制面板上的 。请参见下图。



双区主屏幕



单区主屏幕

SETTINGS (设置)

	调整冷藏室抽屉的温度和湿度
	打开或关闭制冰机和最大冰量
	打开或关闭净化器
	调节柔和灯光和强光（如适用）
	打开或关闭夜间模式
	打开或关闭饮水机
	打开或关闭门报警并调整持续时间
	调节门报警音量和音调
	打开或关闭净水器提醒
	打开或关闭设备
	打开或关闭Sabbath（安息日）
	切换温度单位
	选择语言
	系统信息
	查看故障排除和服务信息

储存

Dual Refrigeration®

该Sub-Zero具有独特的Dual Refrigeration®系统，可使食品保鲜时间更长久。

凭借Sub-Zero Dual Refrigeration®系统，单独的冷藏和冷冻系统可设计为保持精确而一致的温度以及适当的湿度水平，以延长食品的预期寿命。Dual Refrigeration®消除了新鲜食品气味的冷冻食品和冰块的转移，并且不会冻结新鲜食品区的空气中的水分。

冷藏室储存

可调门上搁架

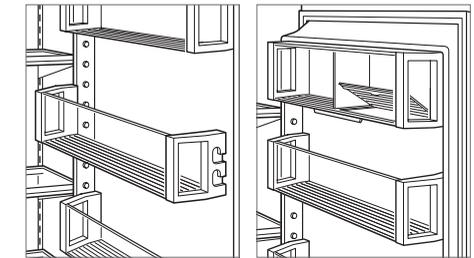
要重新定位门上搁架或乳制品隔室：

- 1 要取出，请从底部提起搁架，然后向外拖动。请参见下图。
- 2 要安装，请放在合适位置，然后将搁架向下滑动到导轨上。

重要提示：如果门开度限于90°，则在卸下存储抽屉或玻璃搁架之前，可能需要拆下门上搁架。

翻转式乳制品隔室

乳制品隔室的底部向上旋转可容纳下方较高的物品。对于隔室内无垂直隔板的型号，整个底部向上旋转。对于有垂直隔板的型号，一个部分向上旋转。请参见下图。



门上搁架拆卸

翻转式乳制品隔室

冷藏室储存

玻璃搁架

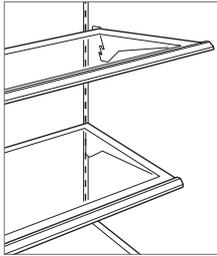
要重新定位玻璃搁架：

- 1 要取出，请将搁架向上倾斜，然后提起并取出。请参见下图。
- 2 要安装，请将搁架沿着后壁插入滑轨，然后放下前部，直至其锁定到位。

重要提示：取放玻璃搁架时要小心，以防止破损或划伤冰箱内部。

▲ 注意

在温水中浸泡前，玻璃搁架应温热至室温。



玻璃搁架拆卸

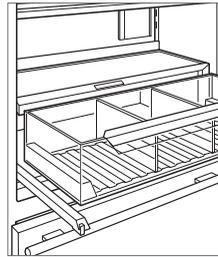
冷藏室储存抽屉

要取出和安装冷藏室抽屉：

- 1 要取出，请拉开抽屉，直至拉不动为止。
- 2 稍微提起抽屉的前部并直接拉出。请参见下图。
- 3 要安装，请拉出抽屉托架，并将抽屉底部与托架对齐。
- 4 将抽屉重新推入就位。

要重新定位冷藏室抽屉隔板：

- 1 要取出，请垂直向上拉隔板。
- 2 要安装，请将隔板上的卡舌与抽屉中的凹口对齐，然后向下推。



冷藏室抽屉拆卸

储存抽屉

保鲜盒盖

可以滑动关闭或保持打开上部储存抽屉中的保鲜盒盖，或将其取下。

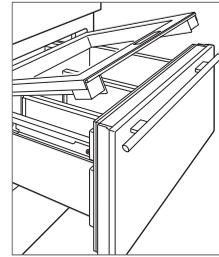
要取下保鲜盒盖：

- 1 将上方的储存抽屉完全拉出。
- 2 抬起保鲜盒盖的前缘并将其向前拉出抽屉。请参见下图。

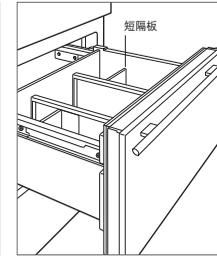
抽屉隔板

要重新定位抽屉隔板：

- 1 要移动短隔板，请向前或向后滑动隔板。请参见下图。
- 2 顶部抽屉中的一个长隔板是可调节的 - 仅适用于30"和36"宽的抽屉。要取出长隔板，请将长隔板向上拉动直至停止移动，然后逆时针旋转向上拉动。
- 3 要安装长隔板，请将凹槽与抽屉卡舌对齐，顺时针旋转，然后向下滑动。



保鲜盒盖



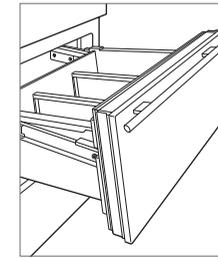
抽屉隔板

抽屉拆卸

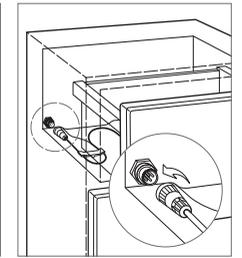
要取出/安装储存抽屉：

- 1 要取出，请拉开抽屉，直至拉不动为止。稍微提起抽屉的前部并直接拉出。请参见下图。
- 2 要安装，请提起抽屉前部并放在滑轨上。将抽屉背面与滑轨上的挂钩对齐，然后将滑轨前面的白色销钉与抽屉前部的孔对齐。

重要提示：对于抽屉式，上部抽屉有一根控制电缆，在拆下抽屉之前必须将其断开。请参见下图。



抽屉拆卸



控制电缆（抽屉型号）

冷冻室储存

冷冻室储存抽屉

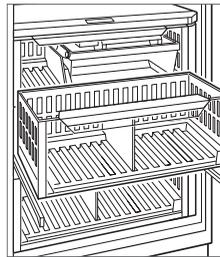
要拆卸冷冻室抽屉：

- 1 拉开抽屉，直至拉不动为止。
- 2 找到抽屉前部、底部角落后面的两个塑料卡舌。
- 3 将卡舌向前拉，然后向上拉出。请参见下图。

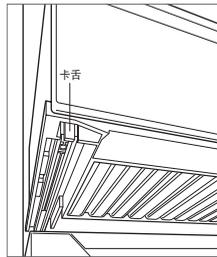
如果门开度限于90°，则在取下中间或下部抽屉之前必须取下顶部抽屉。

要安装冷冻室抽屉：

- 1 推入抽屉滑轨。
- 2 将抽屉与滑轨对齐并推回，直至其停止移动。
- 3 向下按压抽屉前部以啮合滑轨。



柱冷冻室抽屉



冷冻室抽屉卡舌

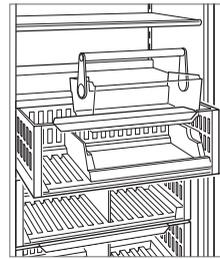
冰盒

要拆卸冰盒（柱型号）：

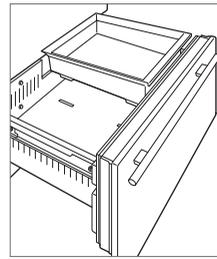
- 1 拉开冷冻室抽屉，直至拉不动为止。
- 2 提出冰盒。请参见下图。

要拆卸冰盒（高和抽屉型号）：

- 1 拉开冷冻室抽屉，直至拉不动为止。
- 2 提出冰盒。请参见下图。



柱冰盒



高和抽屉冰盒

温度

温度控制

为优化食物保藏，可自动或手动调节冷藏室抽屉的温度。所有抽屉均被设置为相同温度，不能单独调节。

自动模式—自动调整冷藏室抽屉温度，使其低于冷藏室设定温度2°，但不能低于1° C。

手动模式—手动调整冷藏室抽屉温度，使其最多高于或低于冷藏室设定点2°，但不能低于1° C或高于6° C。

要调节温度：

- 1 触摸 。
- 2 触摸 。
- 3 轻触“A”或“M”可在模式之间进行切换。
- 4 触摸+或-可手动调节温度。

湿度

湿度控制

某些食物，尤其是蔬菜，需要提高湿度水平才能最大程度地保持新鲜度。冷藏室抽屉湿度水平可调节。选择“Enhanced（增强）”可确保农产品保持最长时间的新鲜度。所有抽屉均被设置为相同水平，不能单独调节。

要调节湿度：

- 1 触摸 。
- 2 触摸 。
- 3 触摸  可在设置之间进行切换。

空气净化系统

许多新鲜食物会释放乙烯气体，这是一种自然产生的化合物，可加速食物的成熟和变质。如果您的设备配有空气净化系统，则已经在工厂安装了过滤芯，并位于冷冻室后壁。

要打开空气净化，请触摸选项屏幕上的.

警告

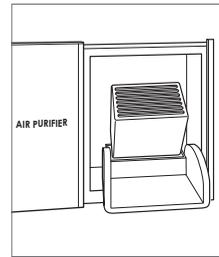
本设备含有紫外线发射器。不要盯着光源看。

空气净化过滤芯

空气净化过滤芯将持续一年左右。当需要更换过滤芯时，“Snooze/Refresh（延后/更新）”将出现在控制面板上。触摸“Snooze（延后）”可延迟提醒24小时，或直至可更换过滤芯。

要更换空气净化过滤芯：

- 1 要接触空气净化过滤芯，则向左滑动门。
- 2 从顶部抓住黑色盖子并向下旋转。过滤芯将弹出并可以取下。请参见下图。
- 3 从包装中取出新过滤芯，插入时连接器朝下。
- 4 关闭黑色盖子，然后向右滑动门。
- 5 按照控制面板上的说明进行操作。过滤芯的使用寿命将重置为约一年。



空气净化过滤芯

水过滤系统

水过滤系统为制冰机和饮水机（饮水机型号）提供过滤水，以生产出美味的水和冰块。

重要提示：首次使用水过滤系统时和更换过滤器后，必须清除系统中的任何空气，并让过滤器协助清洁水管线路。对于非饮水机型号，请丢弃前两个装满冰的容器。对于饮水机型号，在两分钟内取出几杯水。

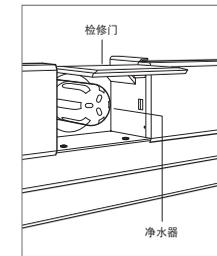
如果不使用水过滤系统，则可通过将过滤器取下，将其置于净水器旁路模式。

净水器

净水器的额定寿命为300加仑（1136升）或一年，以先到者为准。当需要更换过滤器时，“Snooze/Refresh（延后/更新）”将出现在控制面板上。触摸“Snooze（延后）”可延迟提醒24小时，或直至可更换过滤器。

更换净水器：

- 1 要检修净水器，请拉出检修门的底部边缘并向上旋转。请参见下图。
- 2 要取出旧过滤器，则将过滤器逆时针旋转四分之一圈，然后拉出。取下过滤器时有少量水滴是正常的。应该用纸巾或布擦拭。
- 3 从包装中取出新过滤器并取下塑料盖。
- 4 将新过滤器插入歧管并顺时针转动。
- 5 安装新过滤器后，按照控制面板上的说明进行操作。过滤器的使用寿命将重置为约一年。



净水器

制冰机

要操作制冰机：

- 1 要打开制冰机，请触摸选项屏幕上的。单个突出显示的冰块指示制冰机已打开。 指示最大制冰功能已打开。
- 2 要关闭制冰机，请触摸，直到不突出显示冰块为止。

初次启动后，请丢弃前几批冰。冰中可能含有来自新管道连接的杂质。

最大制冰在24小时内最多可提高30%的冰产量。在此期间，一些组件可能以更高的速度运行，因此发出独特的声音提示。这是一种典型现象，并且在24小时后或当冰盒装满时将恢复。

如果不经常使用，冰可能会融合在一起。为了避免这一情况，请丢弃冰块并让制冰机重新制冰。

如果冰盒被取出较长时间，请关闭制冰机。该设备设有在取出冰盒之后3分钟的延迟，以确保在已关闭制冰机或安装冰盒之前不会排出冰块。

夜间模式

当检测到环境光线较弱时，夜间模式会自动降低内部灯光亮度。打开夜间模式时，控制面板显示屏的左上角会显示。

当检测到环境光线较弱时，将显示。即使环境光线发生变化，内部灯光亮度仍会保持三分之一的更低亮度。轻触可增加亮度。

要打开或关闭夜间模式：

- 1 触摸。
- 2 触摸。

安息日

本产品通过犹太认证，符合严格的宗教法规以及www.star-k.org网站上的特别指示。

安息日模式会以更低亮度自动打开内部灯。当门关闭时，灯会一直亮着。在安息日模式下无法关闭这些灯。

安息日模式会在74小时后自动关闭。当安息日模式关闭时，所有照明首选项均会返回到先前设置。

要打开Sabbath（安息日）：

- 1 触摸。
- 2 触摸并按住 3秒钟。

要关闭Sabbath（安息日）：

- 1 触摸并按住 10秒钟。

饮水机

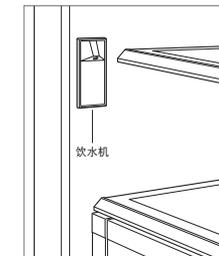
在水从饮水机流出之前，必须加注1 L内部水箱。按住饮水机闸板最多60秒，直到出水为止。

在首次填充期间和分发大量水之后，可能需要几个小时才能将水冷却至冷藏室温度。

将安全功能融入到饮水机中可将连续水流限制为60秒。

要取水：

- 1 将玻璃杯压在饮水机上以激活水流。请参见下图。
- 2 当拉远玻璃杯时，水流将停止。



饮水机

食物保藏

食物保藏提示-为降低变质风险，请尽量减少食物处理。单独存放水果和蔬菜。将肉类存放在原包装中；一旦打开，重新包装。

乙烯气体-许多新鲜食物会释放乙烯气体，这是一种自然产生的化合物，可加速食物的成熟和变质。Sub-Zero冷藏室配有空气净化系统（基于NASA开发的技术），该系统每20分钟清除一次空气中的乙烯和异味。为减少变质，不要将产生乙烯的水果和蔬菜与对乙烯敏感的水果和蔬菜一起存放。

e+ 表示产生乙烯的食物。

e- 表示对乙烯敏感的食物。

湿度-不同食物的最佳湿度各不相同。为让食物的新鲜度保持更长时间，请将食物存放在以下图表中指定的区域。

食物	ECODE	冷藏室	冷冻室
新鲜蔬菜			
洋葱		1-2周	不建议冷冻新鲜蔬菜
芦笋		2-3周	
豆芽		7-9天	
豆类（青豆或利马豆）	e-	7-10天	
没有顶部的甜菜		3-4个月	
白菜	e-	3周	
西兰花	e-	1-2周	
卷心菜	e-	3-6周	
胡萝卜	e-	1-5个月	
菜花	e-	3-4周	
芹菜		1-2个月	
玉米		5-8天	
黄瓜	e-	10-14天	
茄子*	e-	1-2周	
新鲜香草	e-	1-3周	
大蒜*		6-7个月	
姜*		6个月	
豆薯*		1-2个月	
羽衣甘蓝	e-	1-2个月	
韭菜		2个月	
生菜	e-	2-3周	
蘑菇		1-2周	
洋葱		1-6个月	
欧芹	e-	1-2个月	
豌豆（甜豆、甜荷兰豆、糖荚豌豆）	e-	1-2周	
辣椒（灯笼椒或智利辣椒）	e-	2-3周	
马铃薯*		5-10个月	
萝卜		1-2个月	
青葱		6个月	
菠菜	e-	10-14天	
南瓜（软皮）	e-	1-2周	
番茄		7-10天	
荸荠		2-4个月	

*不要冷藏。

食物	ECODE	冷藏室	冷冻室
新鲜水果			
苹果	e+	1-2个月	不建议冷冻新鲜水果
杏子	e+	1-2周	
牛油果†	e+	2-4周	
香蕉*	e-	1-4周	
蓝莓		10-18天	
哈密瓜	e+	2-3周	
樱桃		2-3周	
无花果	e+	7-10天	
西柚		6-8周	
葡萄		2-3周	
甜瓜	e-	3-4周	
猕猴桃	e-	4-6周	
柠檬		1-6个月	
酸橙		6-8周	
芒果†	e+	2-3周	
油桃	e+	2-4周	
橙子		3-8周	
桃子		2-4周	
梨†	e+	2-3周	
菠萝		2-4周	
李子	e+	2-5周	
树莓		3-6天	
草莓		7-10天	
西红柿*	e+	1-3周	

鸡蛋和熟食

鸡蛋（新鲜）		3周	不建议冷冻鸡蛋和熟食
鸡蛋替代品（已开封）		3天	
鸡蛋、金枪鱼或火腿沙拉		3-5天	
切成薄片的午餐肉		1-2天	

*不要冷藏。†冷藏前在台面上放到成熟。

食物	ECODE	冷藏室	冷冻室
汤			
炖肉		3-4天	2-3个月
蔬菜汤		3-4天	2-3个月
肉类、鱼类和禽类			
培根		7天	1个月
烤牛排		3-5天	6-12个月
蓝鱼、鲑鱼		2天	2-3个月
咸牛肉		5-7天	1个月
火腿（整根）		7天	1-2个月
汉堡		1-2天	3-4个月
肉类菜肴（已烹饪）		3-4天	2-3个月
猪排和小牛排		3-5天	4-6个月
禽类（已烹饪）		3-4天	4-6个月
禽类（生）		1-2天	9个月
三文鱼、鲭鱼		4天	5-9个月
香肠（生）		1-2天	1-2个月
虾		1天	6个月
烟熏早餐小香肠、肉饼		7天	1-2个月
乳制品			
黄油		3个月	1年
白软干酪		1-2周	4周
奶油干酪		2周	不建议
加工干酪		3-4周	6-8个月
全脂或脱脂牛奶		1-2周	不建议
酸奶		1个月	不建议

保养建议

清洁

不锈钢外表面

使用非腐蚀性的不锈钢清洁剂和无绒软布进行清洁。为了产生自然光泽，先用蘸水的超细纤维布轻轻擦拭煎盘，然后用打光鹿皮擦干。始终沿着不锈钢的纹理方向擦拭。

内部清洁

要清洁内表面和所有可拆卸部件，请用温和的肥皂、水和小苏打溶液清洗。彻底冲洗并干燥。避免灯和控制面板接触水。

▲ 注意

在任何内表面上，请勿使用醋、摩擦酒精或其他酒精类清洁剂。

假期

对于延长的休假，请在控制面板上关闭电源。清空该单元并将门轻轻打开，让新鲜空气进入并保持内部干燥。在启动前应更换净水器。

冷凝器清洁

▲ 注意

清洁冷凝器之前，请在控制面板上关闭电源。戴上手套，以防被锋利的冷凝器翅片所伤。

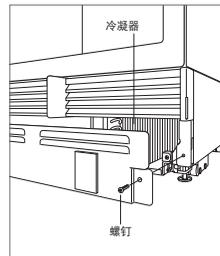
冷凝器位于踢脚板后面。每6 - 12个月清洗一次冷凝器。

要清洁冷凝器：

- 1 在控制面板关闭电源。
- 2 抽出两颗安装螺钉，拆下踢板。请参见下图。
- 3 使用软毛刷和真空吸尘器，清除冷凝器中的灰尘和绒毛。

▲ 注意

未及时清洁冷凝器可能导致温度损失、机械故障或损坏。



冷凝器位置

故障排除

故障排除

设备运行

无灯光或不制冷。

- 1 确认电源已打开。
- 2 核实设备和家中断路器的电源已打开。

冷藏室或冷冻室无灯光。

- 1 门/抽屉可能微开，已停用照明来消除多余热量。如果灯已熄灭，请关门/抽屉一小时。如果灯仍然不亮，请联系Sub-Zero工厂认证的服务部门。
- 2 必须由Sub-Zero工厂认证的服务部门更换LED内部照明系统。

无冷藏室搁架灯。

- 1 确认搁板已正确安装在沿后壁的轨道中。
- 2 确认没有任何东西（高容器或食物）阻碍搁板与沿后壁的轨道接合。

设备内部存在结霜、结露或积冰。

- 1 检查冷凝器是否清洁。
- 2 确认门/抽屉是否正确关闭。
- 3 确认门/抽屉未微开。
- 4 确认门/抽屉垫片无破裂或撕裂。如果有，请联系Sub-Zero工厂认证的服务部门。
- 5 结冰严重，请关闭设备并使用吹风机融化冰。吹风机应设为抵挡，并始终保持移动。一旦冰融化，请用布或纸巾擦干任何水分。

高温、设备运行过度或设备释放过多热量。

- 1 检查冷凝器是否清洁。
- 2 确认门/抽屉是否正确关闭。
- 3 确认门/抽屉未微开。
- 4 环境温度升高可能导致压缩机运行时间更长。
- 5 如果温度显示屏显示-18°C和3°C，但不制冷，则设备处于展厅模式。请联系Sub-Zero工厂认证的服务部门。

饮水机不出水。

- 1 等待一个小时，然后再试试饮水机。如果仍未解决，请联系Sub-Zero工厂认证的服务部门。

故障排除

制冰

无冰。

- 1 确认冰块指示器显示在控制面板显示屏中。
- 2 确认制冰机已开启至少24小时。
- 3 检查冷冻室温度是否处于-18° C左右。
- 4 确认已正确安装了冰盒。
- 5 确认制冰机臂处于向下位置。
- 6 确认正在向设备供水。
- 7 确认在过去12个月内已更换并正确安装净水器。
- 8 如果正在使用反渗透过滤系统，请确认已取出净水器。

蓝色或绿色冰。

- 1 铜供应管线可能腐蚀。联系水暖工进行清洁或更换。

冰块中存在黑色斑点。

- 1 停止使用并联系Sub-Zero工厂认证的服务部门。

味道不佳。

- 1 为冷冻室除霜，用肥皂和水清洗。
- 2 将咖啡渣或木炭块放在冷冻室中吸收异味。

冰块有空心。

- 1 清洁冷凝器。如果仍未解决，请联系Sub-Zero工厂认证的服务部门。

异味

- 1 首次使用前清洁设备。这会除去可能在运输期间吸收的任何异味。
- 2 更换空气净化过滤芯。
- 3 彻底清洁设备和搁架。
- 4 盖上已开盖的食物。

服务

- 与Sub-Zero工厂认证的服务部门联系，以保持产品的内在质量。
- 联系服务部门时，您需要提供设备的型号和序列号。这两个编号都列在产品铭牌上。铭牌位置参见第6页。
- 出于质保目的，您还需要知悉安装日期和授权的Sub-Zero经销商名称。此信息应记录在本指南的第2页中。

服务（仅适用于澳大利亚）

- 建议每年维护一次。
- 与Sub-Zero工厂认证的服务部门联系，以保持产品的内在质量。
- 在联系服务部门时，您需要提供产品的型号和序列号。这两个编号都列在产品铭牌上。铭牌位置参见第6页。
- 出于质保目的，您还需要知悉安装日期和授权的Sub-Zero经销商名称。此信息应记录在第2页中。
- 请联络（仅针对澳大利亚）：
Sub-Zero Group Australia Pty Ltd
Level 10, 469 La Trobe Street
Melbourne Victoria 3000
电话 03 9600 2218
subzero-wolf.com.au

服务（仅针对英国）

- Sub-Zero & Wolf Ltd
9 The Street, Heybridge, Maldon, Essex, CM9 4XB
020 8418 3800
service@subzero-wolf.co.uk
www.subzero-wolf.co.uk

Sub-Zero国际有限质保

供住宅使用

两年质保*

自最初安装之日起两年，本Sub-Zero产品质保涵盖在正常住宅使用情况下，维修或更换在材料或工艺方面证明有缺陷的产品任何部分的的所有零部件和人工。除非Sub-Zero公司另有规定，否则根据上述质保条款，Sub-Zero提供的所有服务必须由Sub-Zero工厂认证的服务部门执行，我们将在正常营业时间内提供服务。

五年密封系统质保

自最初安装之日起两年，您的Sub-Zero产品质保涵盖在正常住宅使用情况下，维修或更换在材料或工艺方面证明有缺陷的产品任何部分的的所有零部件和人工。除非Sub-Zero公司另有规定，否则根据上述质保条款，Sub-Zero提供的所有服务必须由Sub-Zero工厂认证的服务部门执行，我们将在正常营业时间内提供服务。

有关您的Sub-Zero产品质保的更多信息，请与授权的Sub-Zero经销商联系。质保必须遵守所有国家、州、城市、地方法规和/或法令。

*有限的60天零件和人工质保涵盖不锈钢（门、面板、把手、产品框架和内表面）的外观缺陷。

**更换水过滤器和空气净化过滤芯不在产品质保范围内。

Sub-Zero国际户外有限质保*

供住宅使用

一年质保**

自最初安装之日起一年，本Sub-Zero产品质保涵盖在正常住宅使用情况下，维修或更换在材料或工艺方面证明有缺陷的产品任何部分的所有零部件和人工。除非Sub-Zero公司另有规定，否则根据上述质保条款，Sub-Zero提供的所有服务必须由Sub-Zero工厂认证的服务部门执行，我们将在正常营业时间内提供服务。

五年密封系统质保

自最初安装之日起两年，您的Sub-Zero产品质保涵盖在正常住宅使用情况下，维修或更换在材料或工艺方面证明有缺陷的产品任何部分的的所有零部件和人工。除非Sub-Zero公司另有规定，否则根据上述质保条款，Sub-Zero提供的所有服务必须由Sub-Zero工厂认证的服务部门执行，我们将在正常营业时间内提供服务。

有关您的Sub-Zero产品质保的更多信息，请与授权的Sub-Zero经销商联系。质保必须遵守所有国家、州、城市、地方法规和/或法令。

*产品必须获准可供室外使用，并通过型号和序列号指定。

**有限的60天零件和人工质保涵盖不锈钢（门、面板、把手、产品框架和内表面）的外观缺陷。

*更换净水器和空气净化过滤芯不在产品质保范围内。





SUB-ZERO, INC. P.O. BOX 44848 MADISON, WI 53744 USA SUBZERO.COM 800.222.7820

9052446 REV-A

2/2022

