

8.2 Positioning



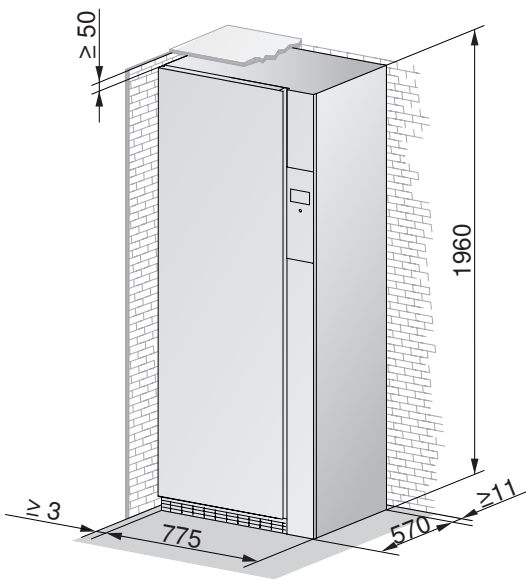
To prevent disturbing noise and vibration the appliance must not come into contact with the surrounding walls of its installation location. It is imperative to comply with the supplied installation instructions for positioning the appliance.

- ▶ The appliance must be horizontal and stable. Check with a spirit level.
- ▶ The appliance must not "wobble" in the case of a crosswise load.

Free-standing position

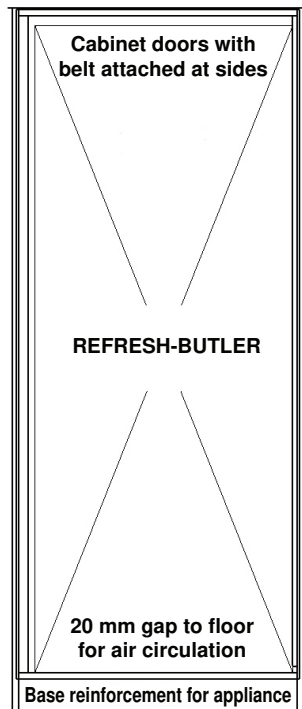
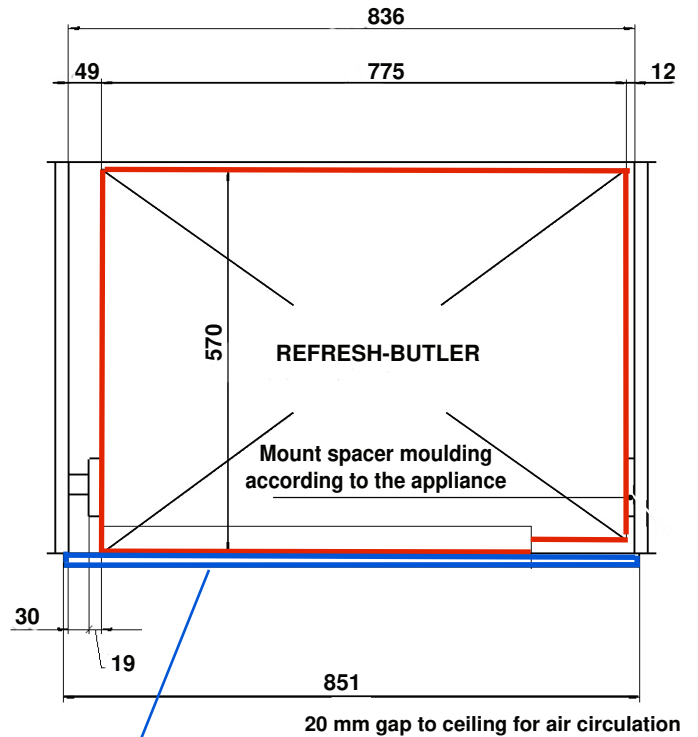
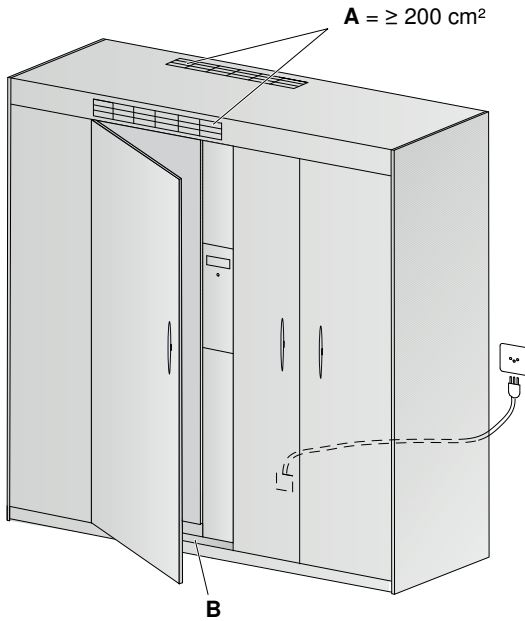


When positioning a REFRESH-BUTLER so that it is free-standing, a distance of min. 3 mm must be kept to the walls to the left and right.



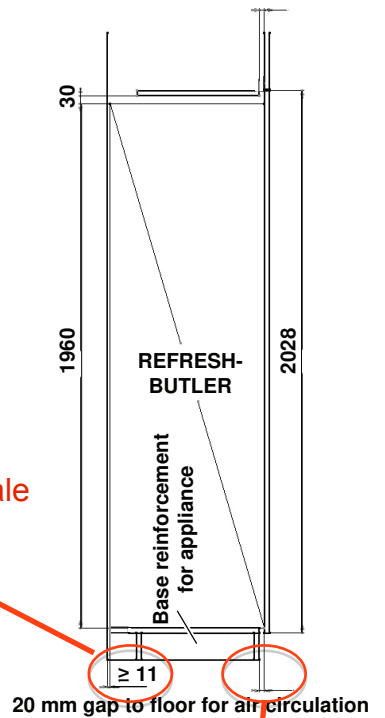
**INGOMBRO
PER INSTALLAZIONE
FREE-STANDING**

Positioning in a niche



pannello porta

min 11 mm di aria tra il lato posteriore del refresh-butler e lo schienale dell'armadio



A Ventilation slit on the top at the back or above the cabinet door

B Load-bearing capacity of cabinet floor: min. 170 kg

A Griglia aerazione da prevedere sopra o davanti (min 400 comunque)

B il basamento deve essere in grado di reggere un carico min di 170 Kg

22 mm di aria tra il filo interno del pannello di rivestimento della porta e lo zoccolo